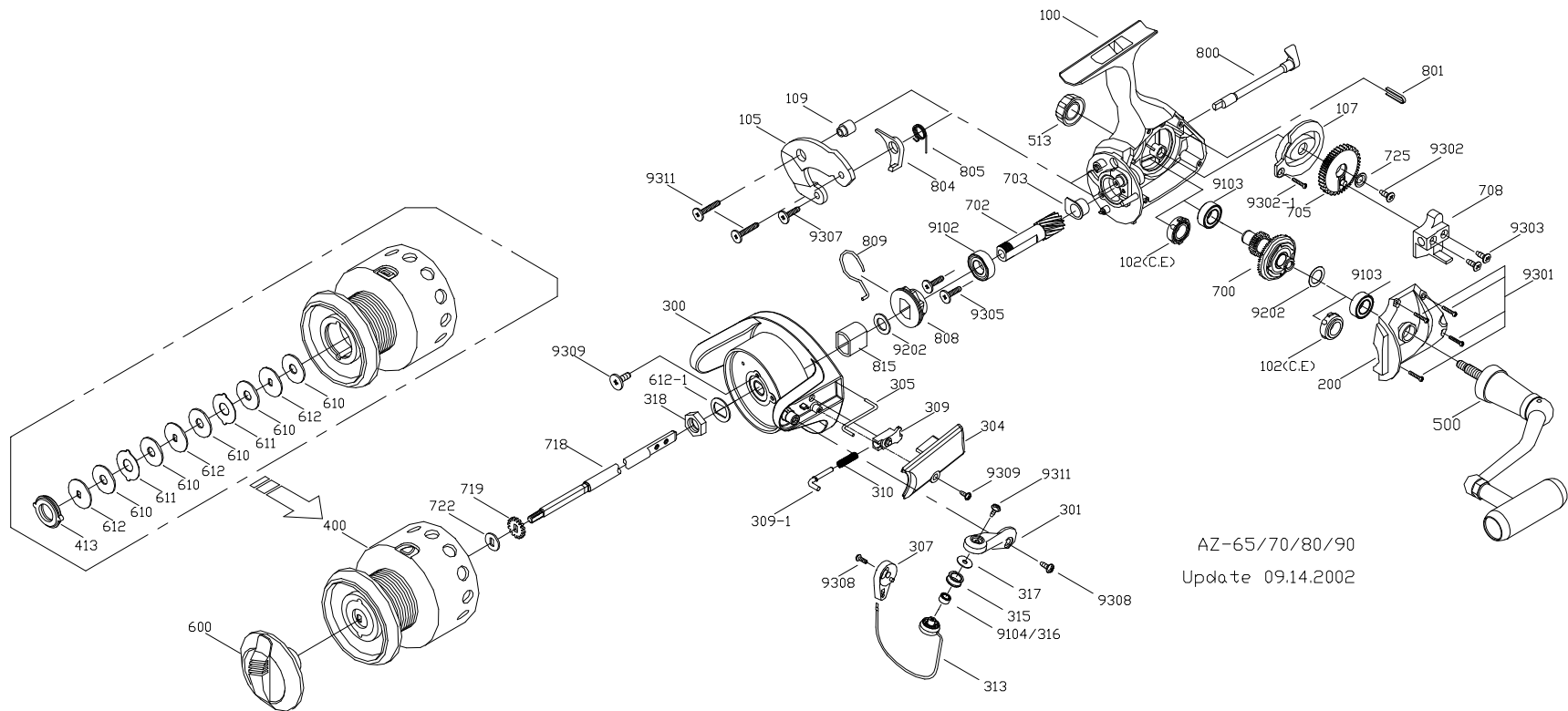


Spinning

Spinning AZ-65,90



AZ-65/70/80/90
Update 09.14.2002

AZ 90

KEYNO	PARTNAME	PARTSNO	KEYNO	PARTNAME	PARTSNO
100	MAIN BODY	12100026-31419	703	PINION GEAR BUSHING	12703016-01
105	PINION BEARING FIX PLATE	12105017-06	705	OSCILLATING GEAR	12705007-120
107	OSCILLATING TRACK	12107001-020	708	OSCILLATING SLIDER	12708010-020
109	BALL BEARING FIX PAWL BUSHI	12109001-03	711	TRANSMISSION PLATE PIN	12711001-06
200	SIDE PLATE	12200026-01419	718	MAIN SHAFT	12718011-161
300	ROTOR	12300103-01419A	719	CLICK GEAR	12719004-061
301	BAIL ARM	12301027-01419	722	CLICK GEAR WASHER	12722013-01
304	BAIL ARM COVER	12304047-01419	725	OSCILLATING GEAR BUSHING	12725001-13
305	KICK LEVEL	12305058-05	800	ANTI-REVERSE/ANTI-RE LEVEL	12800006-01
307	BAIL HOLDER	12307022-124191	801	ANTI-RE LEVEL SPRING	12801003-06
309	BAIL ARM YOKE	12309010-01	804	ANTI-RE PAWL	12804006-02907
309-1	BAIL ARM SUPPORT PIN	12309013-061	805	ANTI-RE PAWL SPRING	12805008-06
310	COMPRESSION SPRING	12310012-06	808	RATCHET	12808021-06
313	BAIL	1231305906F	809	SILENT SPRING	12809019-05
315	LINE ROTOR	12315021-06907	9102	PINION GEAR BALL BEARING	01102006-61
316	LINE ROTOR BUSHING	12316004-03	9103	SIDE PLATE /MAIN BODY BALL B	01091705-61
317	LINE ROTOR WASHER	12317003-03	9104	LINE ROTOR BALL BEARING	01050825-61
318	ROTOR NUT	12318008-03	9202	DRIVE GEAR WASHER	029.1x13x0.3-6
400	SPOOL	1240063204009A	9301	SIDE PLATE SCREW	03123x13-61
500	HANDLE	1250005104907	9302	OSCILLATING GEAR SCREW	03222.6x8-61
504	HEXAGON SCREW	12504002-01	9303	OSCILLATING SLIDER SCREW	03212.6x6-61
513	HANDLE SCREW CAP	12513012-0A913	9304	LINE ROTOR SCREW	03413.5x9-61
600	DRAG KNOB	12600024-01419	9305	PINION GEAR BEARING SCREW	03327.52.6x6-61
601	DRAG NUT	12601006-15907	9306	BAIL ARM COVER SCREW	03422.6x8-61
602	DRAG SPRING	12602001-06	9307	ANTI-RE PAWL SCREW	03327.52.615-61
607	DRAG KNOB HOLDER	12607028-02905	9308	BAIL ARM/AIL HOLDER SCREW	03424x10-61
613	CLICK RETAINER	12613004-06	9309	ROTOR NUT SCREW	03328.52.6x6-61
700	DRIVE GEAR	12700036-061	9311	ANTI-RE LEVEL SCREW	03327.52.613-61
702	PINION GEAR	12702053-162	9314	DRAG KNOB SCREW	03325.7x24.5-61
			9315	BALANCE WEIGHT SCREW	03122.6x6-61

