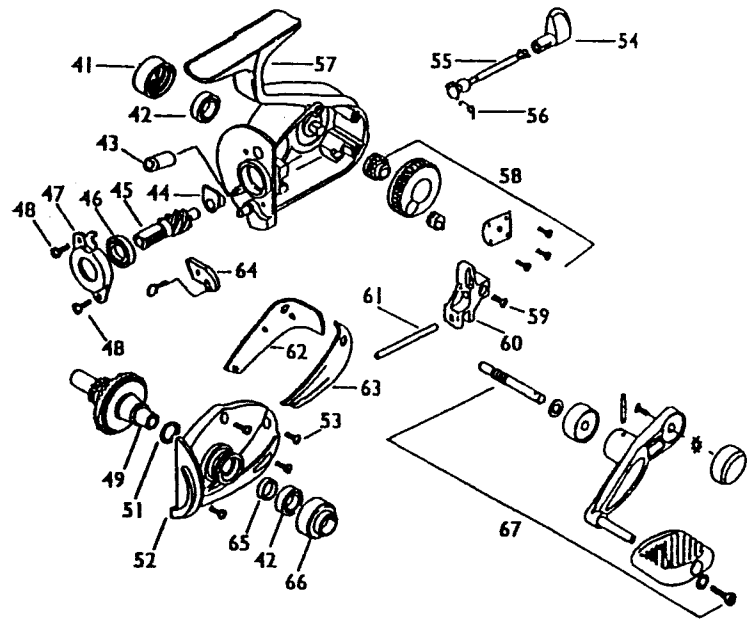


WIP	33	8807300
WIP	34	8889194
WIP	35	8807200
WIP	36	8889189
	38	8811500
	39	8889238
SLIDE	40	8889240
CONTROL	41	8889224
CONTROL	42	8889225
L ROCKER	43	8889211
L ROCKER	44	8592400
L RETAINER	45	8905500
T LOCKING	46	8805400
SHAFT ASSEMBLY	47	8811600
	48	8805300
	49	8505500
WEIGHT	50	8803400
WEIGHT	51	8596000
WEIGHT	52	8812300
WEIGHT	53	8804500



WEATH. BAIL PIN	54	8505600	SHIM, DRIVE GEAR
SCREW, CHROME PLTD	55	8889214	COVER, SIDE
LOCKER, BAIL TRIP	56	8889215	COVER, SIDE
SPRING ASSEMBLY, A/R	57	8889200	SCREW, SIDE COVER
WEIGHT, ROTOR	58	8889186	SWITCH, ANTI-REVERSE
WEIGHT, ROTOR	59	8803300	SHAFT, ANTI-REVERSE
ROTOR	60	8505300	SPRING, ANTI-REVERSE
ROTOR	61	8889132	BODY
COVER PLATE, ROTOR	62	8889133	BODY
COVER PLATE, ROTOR	63	8889169	OSCILLATION GEARS ASSEMBLY
CAP	64	8590700	SCREW OSCILLATION SHAFT
WALL BEARING	65	8805000	SLIDE OSCILLATION
LEEVE, ANTI-REVERSE	66	8805100	BAR OSCILLATION SLIDE
LEEVE, PINION	67	8001614	PLATE, RIGHT CHROME PLATE
INION		8001615	PLATE, LEFT CHROME PLATED
INION		8889171	PAWL ASSEMBLY, A/R
WALL BEARING		8809700	SLEEVE, BRASS
RETAINER, BEARING		8889239	RETAINER, DRIVE BEARING
CREW, RETAINING		8889212	CRANK HANDLE ASSEMBLY
GEAR, DRIVE		8889221	CRANK HANDLE ASSEMBLY
GEAR, DRIVE			■ = SCP 30 ONLY

SCP30 / SCP50
 Rev 7/97