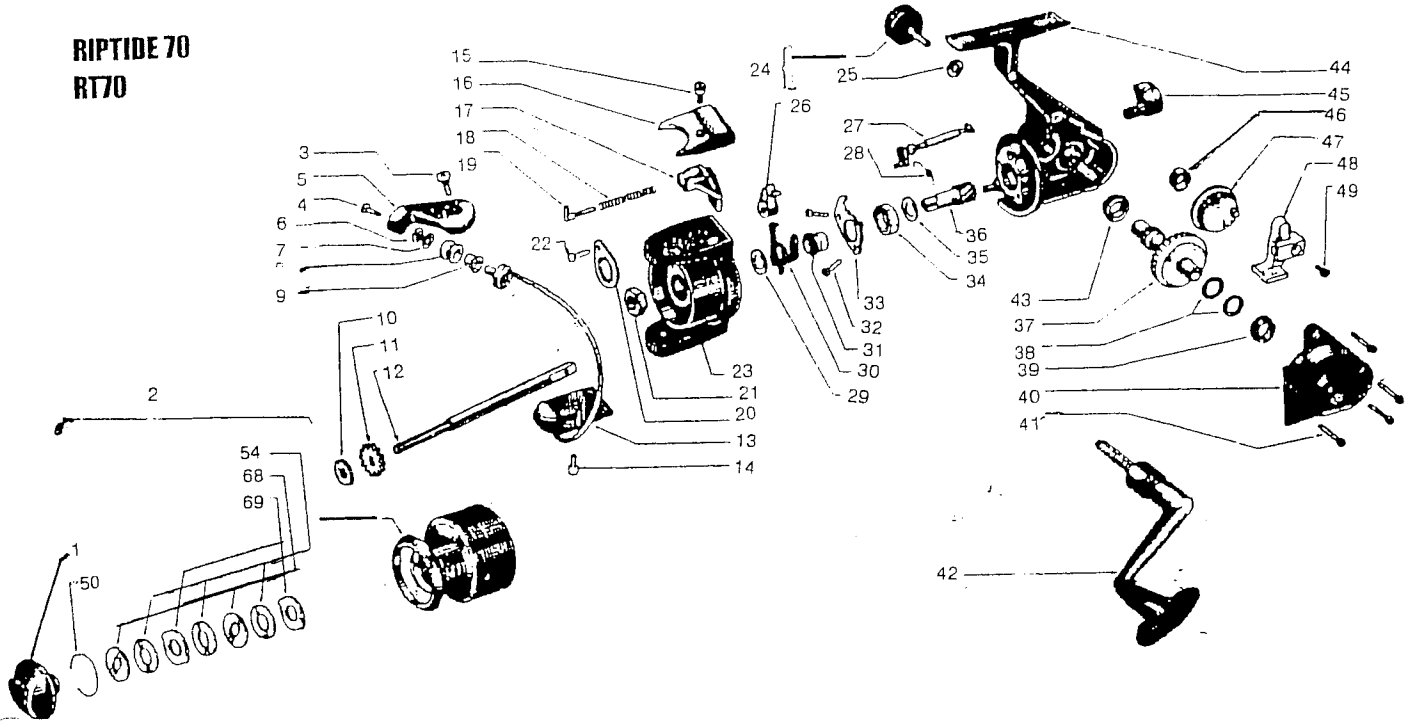


**RIPTIDE 70  
RT70**



ITEM#	MIP PART#	DESCRIPTION	ITEM#	MIP PART#	DESCRIPTION	ITEM#	MIP PART#	DESCRIPTION
1	RT70-1	DRAG KNOB	20	RT30-20	RING, HEX NUT LOCKING	39	RT70-39	BUSHING
2	RT70-2	COMPLETE SPOOL	21	RT30-21	HEX NUT	40	RT70-40	SIDE PLATE
3	RT30-3	SCREW, BAIL ARM	22	RT30-22	SCREW	41	RT70-41	COVER PLATE SCREW
4	RT50-4	BAIL SCREW	23	RT70-23	ROTOR	42	RT70-42	HANDLE
5	RT70-5	BAIL ARM	24	RT30-24	HANDLE CAP SCREW	43	RT70-43	BUSHING
6	RT30-6	LINE GUIDE RACE	25	RT30-25	HANDLE CAP SCREW WASHER	44	RT70-44	HOUSING
7	RT30-7	WASHER, LINE ROLLER	26	RT70-26	A/R CAM	45	RT70-45	A/R SWITCH
8	RT30-8	LINE GUIDE	27	RT70-27	A/R SHAFT	46	RT70-46	BUSHING
9	RT30-9	LINE GUIDE BUSHING	28	RT30-28	A/R SPRING	47	RT70-47	OSC GEAR
10	RT70-10	WASHER	29	RT70-29	A/R FRICTION WASHER	48	RT70-48	O/S SLIDER
11	RT70-11	SHAFT RATCHET	30	RT70-30	A/R FRICTION	49	RT70-49	OSCILLATION SLIDE SCREW
12	RT70-12	AXLE	31	RT70-31	AR FRICTION BUSHING	50	RT50-50	DRAG RETAINER
13	RT70-13	BAIL	32	RT30-32	SCREW	54	RT70-54	DRAG WASHER
14	RT30-14	SCREW, RETAINING	33	RT70-33	BEARING RETAINER	68	RT70-68	METAL WASHER
15	RT30-15	SCREW	34	RT30-34	BEARING	69	RT70-69	EARED WASHER
16	RT70-16	SIDE COVER	35	RT70-35	WASHER			
		TRIP LEVER	36	RT70-36	PIPINON GEAR			