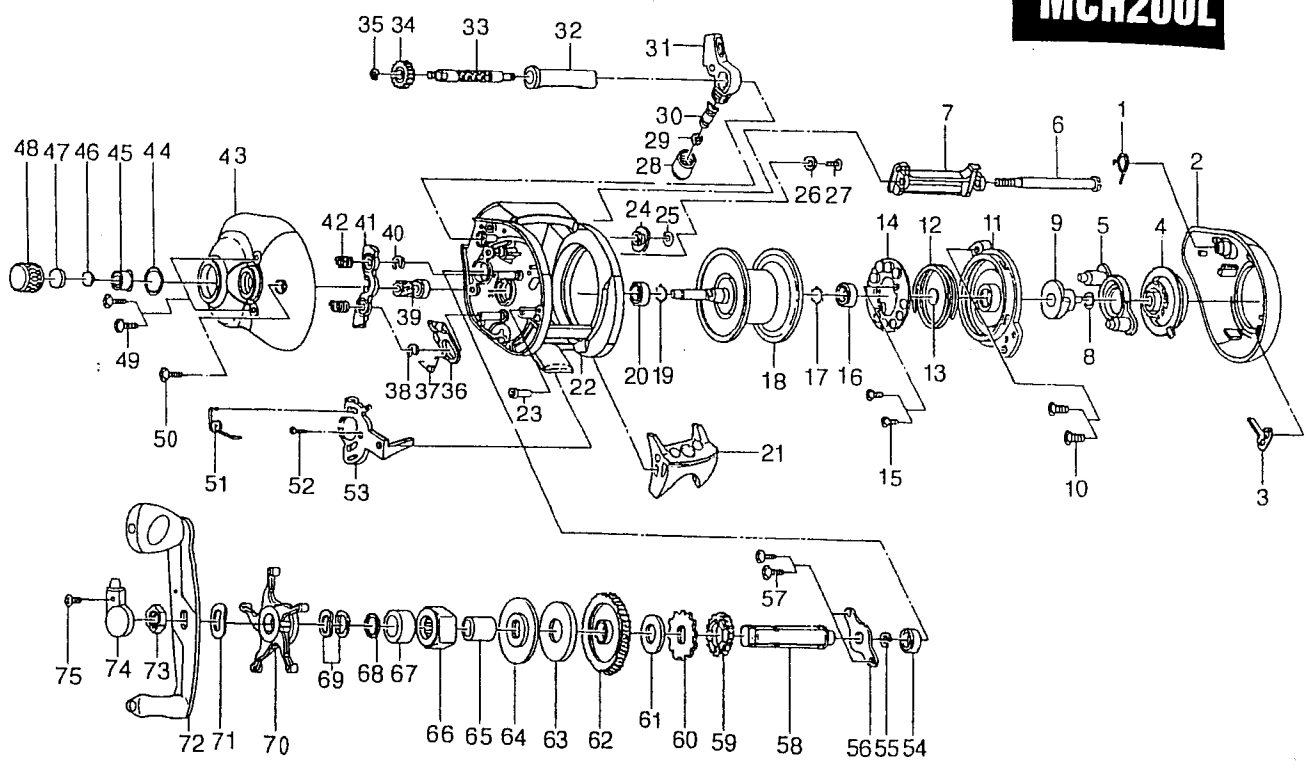


MCH200L



1	SIDE PLATE SPRING	1065880	23	SPRING BUSHING	1065906	45	BUSHING	1065948	67	Ball Bearing	1065989
2	"SIDE PLATE, NON/GEAR"	1065882	24	WORM SHAFT BUSHING	1065908	46	TENSION SHIM	1065950	68	Washer	1065970
3	MAG. ADJ. CLICKER	1065884	25	E-CLIP	1065907	47	TENSION RUBBER	1065951	69	Drag Spring Washer	1065971
4	MAG. ADJ. KNOB	1065886	26	WASHER	1065905	48	TENSION KNOB	1065952	70	Star drag	1065973
5	MAG. BACK CAP	1065887	27	WASHER SCREW	1065904	49	SIDE PLATE SCREWS	1065953	71	Handle Spring washer	1065974
6	CARRIER GUIDE	1065901	28	PAWL CAP	1065908	50	SIDE PLATE SCREW	1065885	72	Handle assembly	1065975
7	FRONT COVER	1065903	29	PAWL ADJUSTMENT SHIM	1065915	51	THUMB BAR SPRING	1065935	73	Handle nut	1065977
8	O-RING	1065980	30	PAWL	1065910	52	THUMB BAR PLATE SCREW	1065933	74	Uni-tool	1065978
9	MAG. RAMP	1065888	31	LINE GUIDE	1065811	53	THUMB BAR PLATE	1065932	75	Uni-tool screw	1065979
10	MAG. HOUSING SCREWS	1065882	32	WORM SHAFT COVER	1065912	54	BUSHING	1065954			
11	MAG. HOUSING	1065891	33	WORM SHAFT	1065913	55	E-CLIP	1065955			
12	MAG. SPRING	1065893	34	WORM SHAFT GEAR	1065914	56	BEARING PLATE	1065956			
13	SPOOL WASHER	1065981	35	E-CLIP	1065916	57	BEARING PLATE SCREW	1065957			
14	MAG. PLATE	1065894	36	KICKER	1065937	58	CRANK SHAFT	1065959			
15	MAG. PLATE SCREWS	1065895	37	KICKER SPRING	1065939	59	O/S GEAR	1065960			
16	BUSHING	1065898	38	E-CLIP	1065940	60	LATCH GEAR	1065981			
17	RETAINER	1065897	39	PINION GEAR	1065942	61	SPACER WASHER	1065982			
18	SPOOL ASSEMBLY	1065899	40	E-CLIP	1065940	62	DRIVE GEAR	1065964			
19	RETAINER	1065897	41	PINION YOKE	1065944	63	DRAG B WASHER	1065965			
20	BUSHING	1065900	42	YOKE SPRING	1065945	64	DRAG D WASHER	1065966			
21	THUMB BAR	1065930	43	"SIDE PLATE, GEAR SIDE"	1064947	65	SLEEVE	1065967			
22	FRAME	1065918	44	O-RING	1065948	66	CLUTCH BEARING	1065988			

61