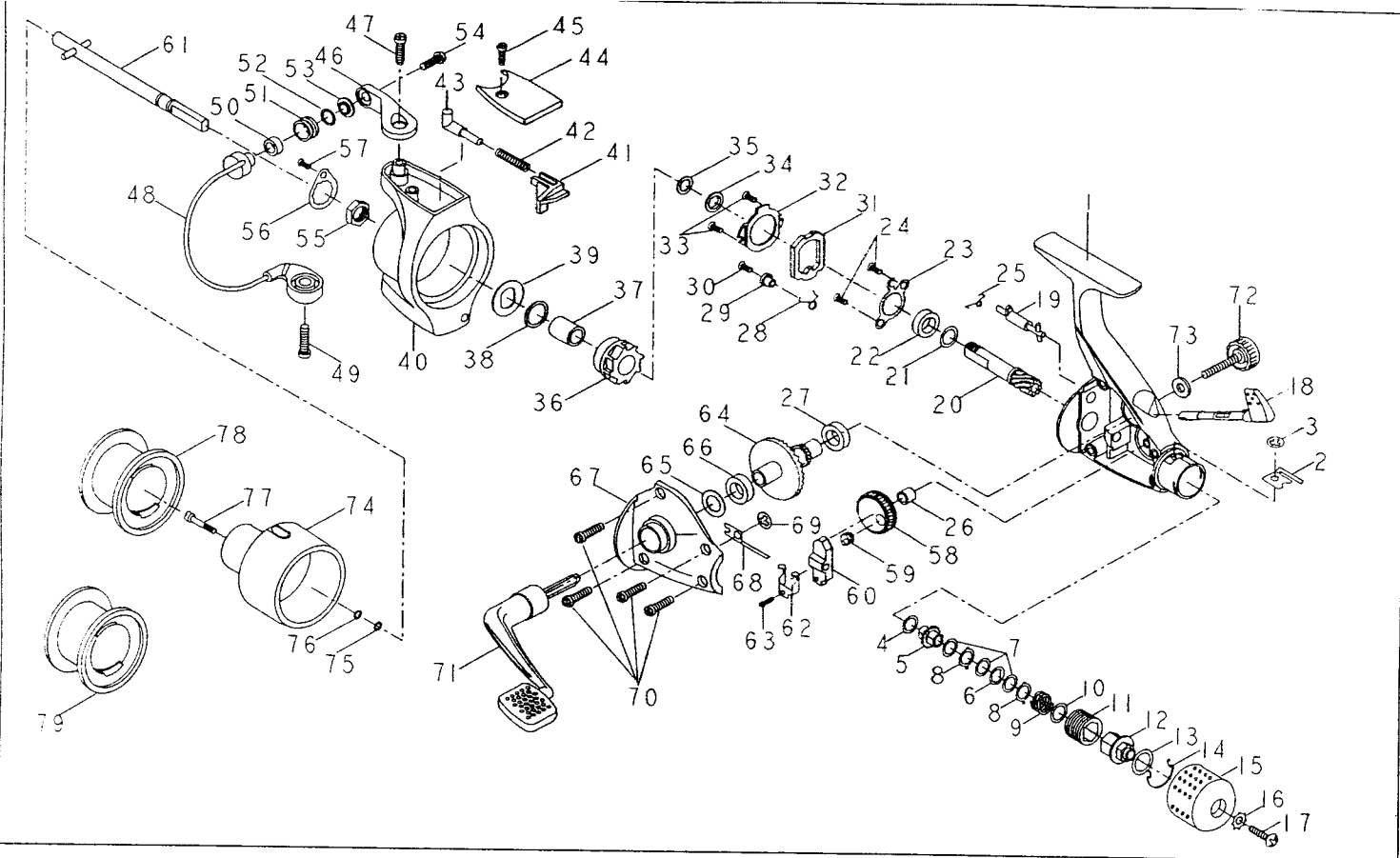


Model	MCH20 IAR	MCH40
Action	Light	Medium
Bearings	5 (4 + IAR)	5 (4 + 1)
Gear Ratio	5.1:1	5.6:1
Line Cap.	6 lb/145 yds.	8 lb/200

Modèle	MCH20 IAR	MCH40
Action	Légère	Moyenn
Roulements	5 (4 + IAR)	5 (4 + 1)
Rapport d'engrenage	5.1:1	5.6:1
Caractéristiques de la ligne	200m/0,18	200m/0,2

PURE FISHING Pure Fishing
1900 18th Street
Spirit Lake, IA 51360-1099
purefishing.com

PRINTED IN CHINA



No. PART NAME	20 SIZE	40 SIZE	No. PART NAME	20 SIZE	40 SIZE	No. PART NAME	20 SIZE	40 SIZE
1 Body	1071030	1071031	22 Ball Bearing	1066229	-	43 Bail Trip Piston	1066251	1071061
2 Drag Click spring	1071032	-	23 Bearing Cover	1066230	1071046	44 Bail Arm Cover	1066252	1066253
3 Retaining Ring	1071033	-	24 Bearing Cover Screw	1066231	1071047	45 Cover Screw	1066254	-
4 Front Drag Washer	1071034	1071035	25 A/R Spring	1066232	1071048	46 Arm Lever	1066255	1066256
5 Drag Stem	1071036	1071037	26 Oscillating Gear Bushing	1066233	1071049	47 Arm Lever Screw	1066257	-
6 Keyed Drag Washer	1071038	1071069	27 Drive Gear Ball Bearing	1066234	1071050	48 Bail Ass'y	1066258	1066259
7 Drag Washer (3)	1071070	1071071	28 Actuator Spring	1066235	1071051	49 Bracket Screw	1066260	-
8 Eared Drag Washer (2)	1071072	1071073	29 Spring Sleeve (20 only)	1066236	-	50 Line Roller Bail Bearing	1066262	-
9 Drag Spring	1071074	1071075	30 Screw (20 only)	1066237	-	51 Line Roller	1066261	-
10 Frnt Drag Spring washer	1071076	1071076	31 A/R Actuator	1066238	1071052	52 Line Roller Washer	1066263	-
11 Drag Sleeve	1071078	1071079	32 Actuator Holder	1066239	1071053	53 Line Roller Cover	1066264	-
12 Drag Insert	1071080	1071081	33 Actuator Screw	1066240	-	54 Line Roller Screw	1066265	-
13 Drag Spring Washer	1071082	1071083	34 Spacer	1066241	-	55 Rotor Nut	1066266	-
14 Drag Insert Retainer	1071084	1071085	35 Teflon Washer	1066242	-	56 Rotor Nut Lock	1066267	1071058
15 Drag Knob	1071086	1071087	36 One Way Clutch	1066243	1071054	57 Rotor Nut Lock Screw	1066268	-
16 Lock Washer	831-1400	-	37 Inner Bushing	1066244	-	58 Oscillation Gear	1066269	1066270
17 Screw	889-3800	-	38 Front Teflon Washer	1066245	-	59 Transfer Gear	1066271	1066272
18 A/R Lever	1066224	1071088	39 Double D Rotor Washer	1066246	-	60 Oscillation Slider	889-2500	892-8800
19 A/R Stem	1066225	1071042	40 Rotor Ass'y	1066247	1066248	61 Main Shaft Ass'y	888-9357	888-9358
20 Pinion	1066226	1066227	41 Bail Trip Lever	1066249	1071057	62 Main Shaft Keeper	889-2600	892-8900
21 Washer	1066228	-	42 Bail Spring	1066250	-	63 O/S Holder Screw	850-1900	-