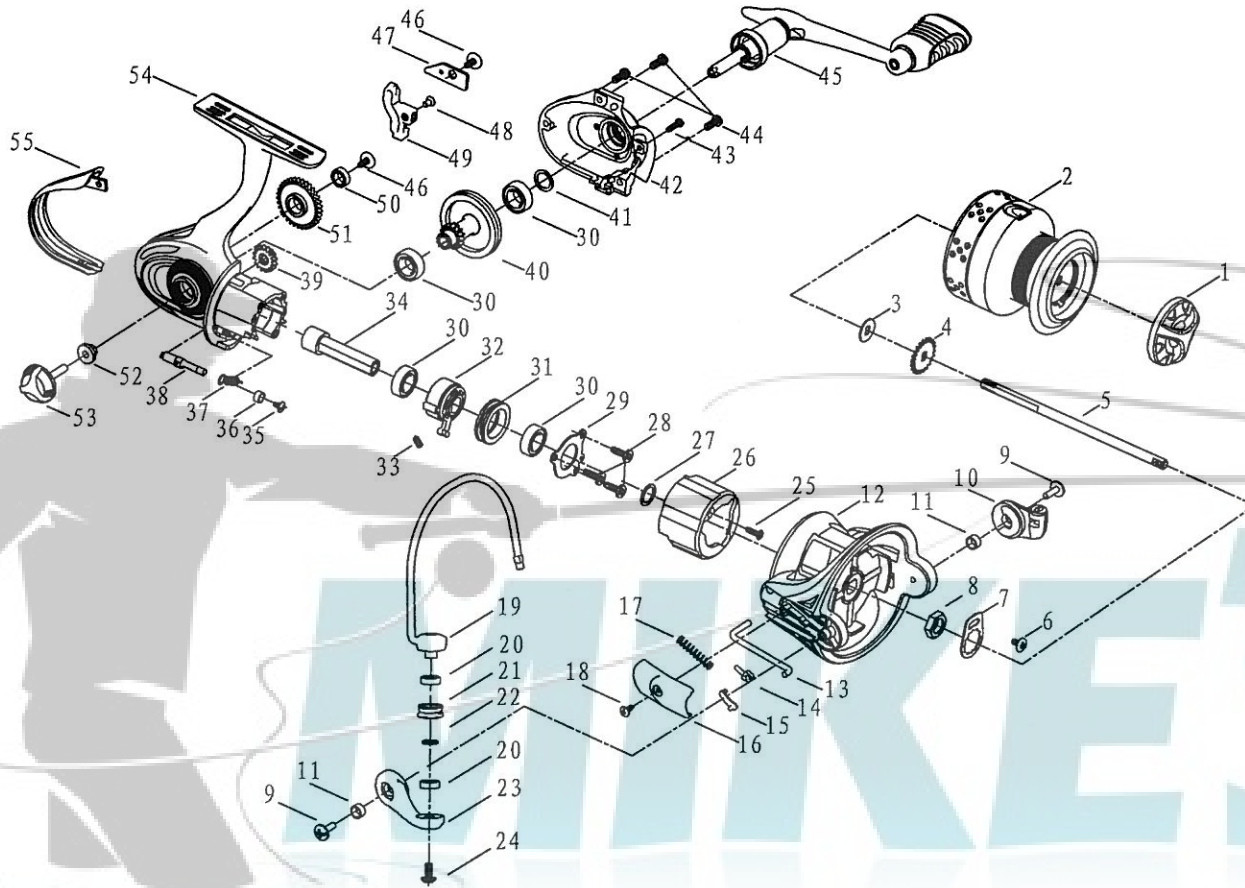


# MITCHELL®

**Model** M300 M308



NO	PARTS DESCRIPTION	M300	M308
11	BUSHING(2)	1188261	1188261
12	ROTOR	1308723	1308736
13	BAIL TRIP LEVER	1308698	1308714
14	BAIL ARM SPRING GUIDE	1126272	1126272
15	BAIL ARM SPRING SHAFT	1252713	1252713
16	BAIL ARM COVER	1308724	1308737
17	BAIL ARM SPRING	1119106	1119106
18	BAIL ARM COVER SCREW	1125962	1125962
19	BAIL WIRE	1308716	1308716
20	ROLLER BALL BEARING(2)	1112125	1112125
21	LINE ROLLER	1252705	1252705
22	ROLLER WASHER	1110165	1110165
23	BAIL ARM	1308725	1308725
24	ROLLER SCREW	1126261	1126261
25	BODY HEAD COVER SCREW	1102139	1102139
26	BODY HEAD COVER	1308726	1308726
27	ONE WAY CLUTCH WASHER	1114764	1114764
28	ONE WAY CLUTCH SCREW(3)	1122123	1122123
29	ONE WAY CLUTCH COVER	1308727	1308727
30	BALL BEARING(4)	1252717	1252717
31	ONE WAY CLUTCH SUPPORT	1280475	1280475
32	ONE WAY CLUTCH ASSY(including sleeve)	1102144	1102144
33	A/R PULLING SPRING	1308704	1308704
34	PINION GEAR	1308728	1308728
35	A/R SWITCH SCREW	1131798	1131798
36	A/R SWITCH BUSHING	1279733	1279733
37	A/R SPRING	1252722	1252722
38	A/R SWITCH	1308729	1308729
39	REDUCTION GEAR	1252732	1252732
40	MAIN GEAR	1279734	1279734
41	MAIN GEAR WASHER	1114764	1114764
42	SIDE COVER ASSY	1308730	1308738
43	SIDE COVER SCREW	1117984	1117984
44	SIDE COVER SCREW(3)	1126084	1309755
45	HANDLE ASSY	1308731	1321251
46	SCREW(2)	1188428	1188428
47	SLIDE CLIP	1121651	1126332
48	SLIDE SCREW	1126454	1126454
49	SLIDE	1279756	1279738
50	OSCILLATION GEAR BALL BEARING	1085326	1085326
51	OSCILLATION GEAR	1253701	1252730
52	HANDLE RETRIEVE WASHER	1092781	1092781
53	HANDLE SCREW	1308732	1308732
54	MAIN BODY ASSY	1308733	1308739
55	REAR COVER	1308734	1308740

NO	PARTS DESCRIPTION	M300	M308
1	DRAG KNOB ASSY	1308720	1308720
2	SPOOL ASSY	1308721	1308735
3	MAIN SHAFT WASHER	1178949	1178949
4	MAIN SHAFT RATCHET	1126316	1126316
5	MAIN SHAFT	1308694	1279725
6	ROTOR RETAINER SCREW	1131700	1131700
7	ROTOR RETAINER PLATE	1308695	1308695
8	ROTOR NUT	1085273	1085273
9	ROTOR ARM SCREW(2)	1309754	1309754
10	BAIL HOLDER	1308722	1308722

**MIT SP 300 308 01**