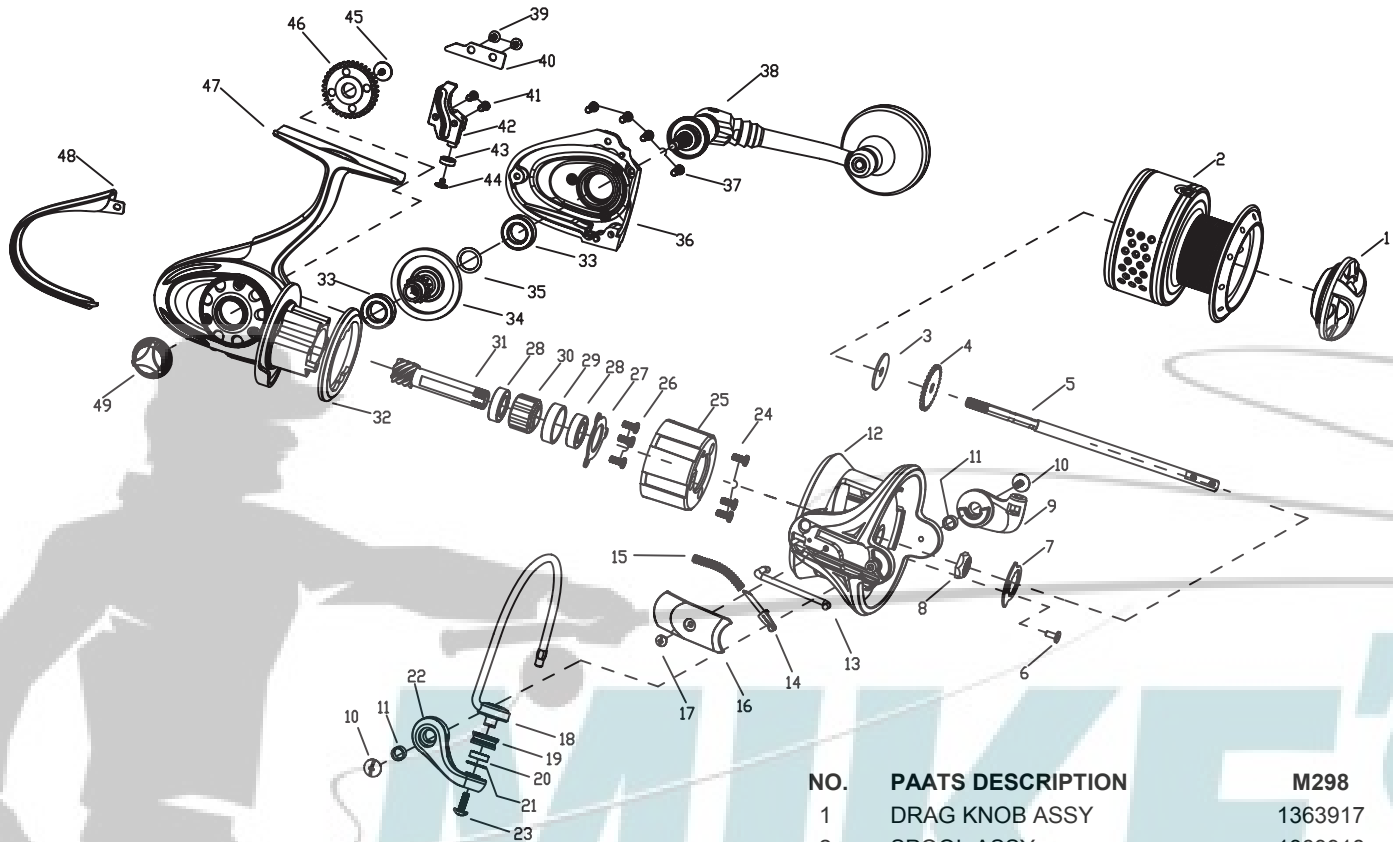


**Model M298**



NO.	PAATS DESCRIPTION	M298
1	DRAG KNOB ASSY	1363917
2	SPOOL ASSY	1363918
3	MAIN SHAFT WASHER	1122023
4	MAIN SHAFT RATCHET	1363746
5	MAIN SHAFT	1363919
6	ROTOR RETAINER SCREW	1131700
7	ROTOR RETAINER PLATE	1277093
8	ROTOR NUT	1277062
9	BAIL HOLDER	1363748
10	ROTOR ARM SCREW(2)	1312389
11	BUSHING(2)	1102065
12	ROTOR	1363920
13	BAIL TRIP LEVER	1363921
14	BAIL ARM SPRING GUIDE	1277058
15	BAIL ARM SPRING	1111472
16	BAIL ARM COVER	1363922
17	BAIL ARM COVER SCREW	1312391
18	BAIL WIRE	1363923
19	LINE ROLLER	1312399
20	ROLLER BALL BEARING	1347153
21	C CLASP	1259604
22	BAIL ARM	1363753
23	ROLLER SCREW	1312397
24	BODY HEAD COVER SCREW(3)	1277054
25	BODY HEAD COVER	1363924
26	ONE WAY CLUTCH COVER SCREW(3)	1277154
27	ONE WAY CLUTCH COVER	1277153
28	BALL BEARING(2)	1111486
29	ONE WAY CLUTCH SUPPORT	1277045
30	ONE WAY CLUTCH ASSY	1277094
31	PINION GEAR	1363925
32	ROTOR BRAKE	1363926
33	BALL BEARING(2)	1111486
34	DRIVE GEAR	1277036
35	MAIN GEAR WASHER	1276920
36	BODY COVER	1363927
37	BODY COVER SCREW(4)	1277074
38	HANDLE ASSY	1363928
39	SCREW(2)	1277070
40	SLIDE CLIP	1277069
41	SCREW(2)	1277072
42	SLIDE	1277068
43	BALL BEARING	1259605
44	SCREW	1277071
45	SCREW	1277100
46	OSCILLATION GEAR	1277098
47	BODY	1363929
48	REAR COVER	1363930
49	HANDLE CAP	1363768