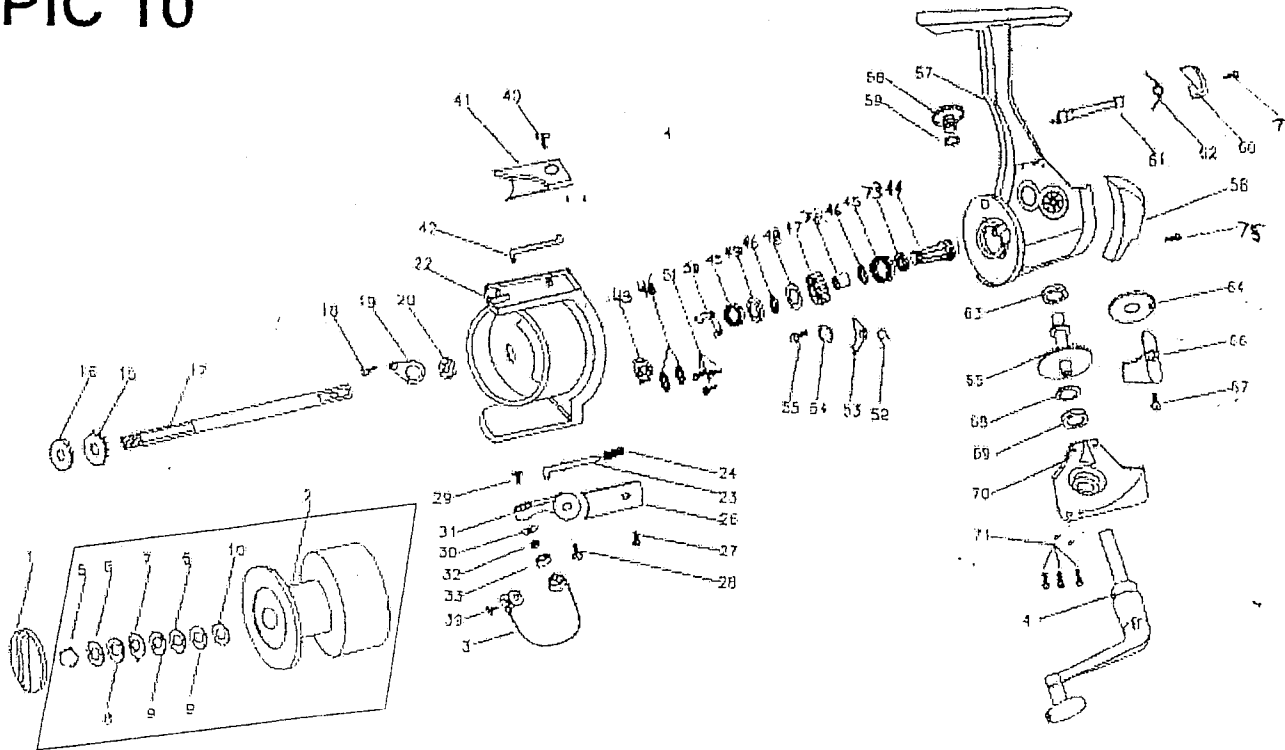


# EPIC 10



No.	Part Name	Epic 10	No.	Part Name	Epic 10	No.	Part Name	Epic 10	No.	Part Name	Epic 10
1	Drag Knob	1082569	23	Bail Arm Spring Shaft	1071121	44	Pinion Gear	1071167	60	A/R Switch	1071535
2	Spool Complete	1082570	24	Bail Arm Spring	1071122	45	Pinion Two Ball Bearings	1071168	61	A/R Shaft	1071194
	Includes Items 5-10		26	Bail Arm Cover	1071529	46	Clutch BB Washer	1071179	62	A/R Switch Spring	1071195
3	Bail Wire Assy	1082571	27	Bail Arm Cover Screw	1071124	47	Clutch BB Assy	1071180	63	Main Body Bush or Bearing	1071196
4	Handle Assy	1071517	28	Arm Lever Screw	1071125	48	Clutch BB Wash. Teflon	1071181	64	Oscillation Gear	1071197
5	Spool Retaining Ring	1071180	29	Roller Screw	1071126	49	Clutch BB Support	1071182	65	Main Gear	1071198
6	Drag Washer (metal)	1071189	30	Roller Washer	1071127	50	Clutch BB Cover	1071183	66	O/S Slider	1071199
7	Drag Washer (ear)	1071110		Metal washer+teflon		51	Ball Bearing Screw	1071184	67	O/S Slide Screw	1071200
8	Front Drag Washer	1071111	31	Arm Lever	1071530	52	A/R Plate Spring	1071185	68	Main Gear Washer	1071201
9	Drag Washer (2)	1071112	32	Roller Bushing	1071160	53	A/R Plate	1071186	69	Side Cover B. Bearing	1071202
10	Back Drag Washer	1071113	33	Roller	1071161	54	A/R Plate Washer	1071187	70	Side Cover	1082575
15	Main Shaft Gear	1071114	39	Bail Arm Screw	1071162	55	A/R Plate Screw	1071188	71	Side Cover Screw (3)	1071204
16	Main Shaft Washer	1071115	40	Weight Cover Screw	1071163	56	Rear Cover	1071532			
17	Main Shaft	1071116	41	Weight Cover	1071531	57	Main Body	1082574	72	Sleeve	1079180
18	Retained Plate Screw	1071117	42	Bail Trip Lever	1082573	58	Handle Nut	1071534	73	Bushing	1079181
19	Retained Plate	1071118	43	Rotor Guide	1071166	59	Handle Retriever Wash.	1071192	74	Screw	1079182
20	Hex Nut	1071119						75	Screw	1079183	
22	Rotor	1082572									

**Limited Warranty:**  
 Pure Fishing warrants to the original purchaser that fishing reels are free from defects in material or workmanship for a period of one year from the date of purchase. The reel must be returned postage paid and with proof of purchase to: Pure Fishing Reel Service Department, 1900 10th Street, Lake, Iowa 51360, or your nearest Mitchell Service Center. (See warranty center listing enclosure.) If inspection reveals defective material or workmanship, we shall at our option either repair or replace the reel without charge. We are not responsible for damage to or wear or tear or for defects caused by accident, abuse, alterations, misuse or improper use. This warranty shall not apply to reels used commercially. THERE ARE NO OTHER EXPRESS WARRANTIES BEYOND THE TERMS OF THIS LIMITED WARRANTY. IN NO EVENT SHALL ANY IMPLIED WARRANTIES, INCLUDING MERCHANTABILITY AND FITNESS FOR A PARTICULAR PURPOSE, EXTEND BEYOND THE DURATION OF THE EXPRESS WARRANTY CONTAINED HEREIN. IN NO EVENT SHALL PURE FISHING BE LIABLE FOR INCIDENTAL OR CONSEQUENTIAL DAMAGES. Some states may allow limitations on how long an implied warranty lasts or the exclusion or limitation of incidental or consequential damages, so the above limitations may not apply to you. This warranty does not affect your specific legal rights, and you may also have other rights which may vary from state to state.

**Garantie Limitée:**  
 Pure Fishing garantit à l'acheteur d'origine que ses moulinets de pêche sont exempts de défauts de matière ou de fabrication pour une période de un (1) an à partir de la date d'achat. Le moulinet doit être retourné, payé d'avance, accompagné de la preuve de la date d'achat à: Pure Fishing Reel Service, 1900 10th Street, Spirit Lake, Iowa 51360, ou, pour nos clients canadiens à: Pure Fishing Reel Service, 1900 10th Street, Spirit Lake, Iowa 51360, ou, pour nos clients canadiens à: Pure Fishing Reel Service, 1900 10th Street, Spirit Lake, Iowa 51360, ou, pour nos clients canadiens à: Pure Fishing Reel Service, 1900 10th Street, Spirit Lake, Iowa 51360. Si l'inspection nous révèle que l'appareil présente un défaut de matière ou un vice de fabrication, nous nous engageons à réparer ou à remplacer le moulinet sans frais. Nous déclinons toute responsabilité pour les dommages résultant d'une usure normale, d'un accident, d'un abus, d'une modification, d'une altération ou d'une utilisation incorrecte. Cette garantie ne s'applique pas aux moulinets utilisés à des fins commerciales. IL N'Y A D'AUTRES GARANTIES FORMELLES AU-DELÀ DE CELLES DE CETTE GARANTIE LIMITÉE. EN AUCUN CAS PURE FISHING NE SERA RESPONSABLE DES DOMMAGES CONSÉQUENTS. CERTAINS ÉTATS PEUVENT PERMETTRE DES LIMITATIONS SUR LA DURÉE D'UNE GARANTIE IMPLIÉE, SUR L'EXCLUSION OU LA LIMITATION DES DOMMAGES CONSÉQUENTS. IL EST DONC POSSIBLE QUE LES LIMITATIONS INDICUÉES CI-DESSUS NE S'APPLIQUENT PAS À VOUS.