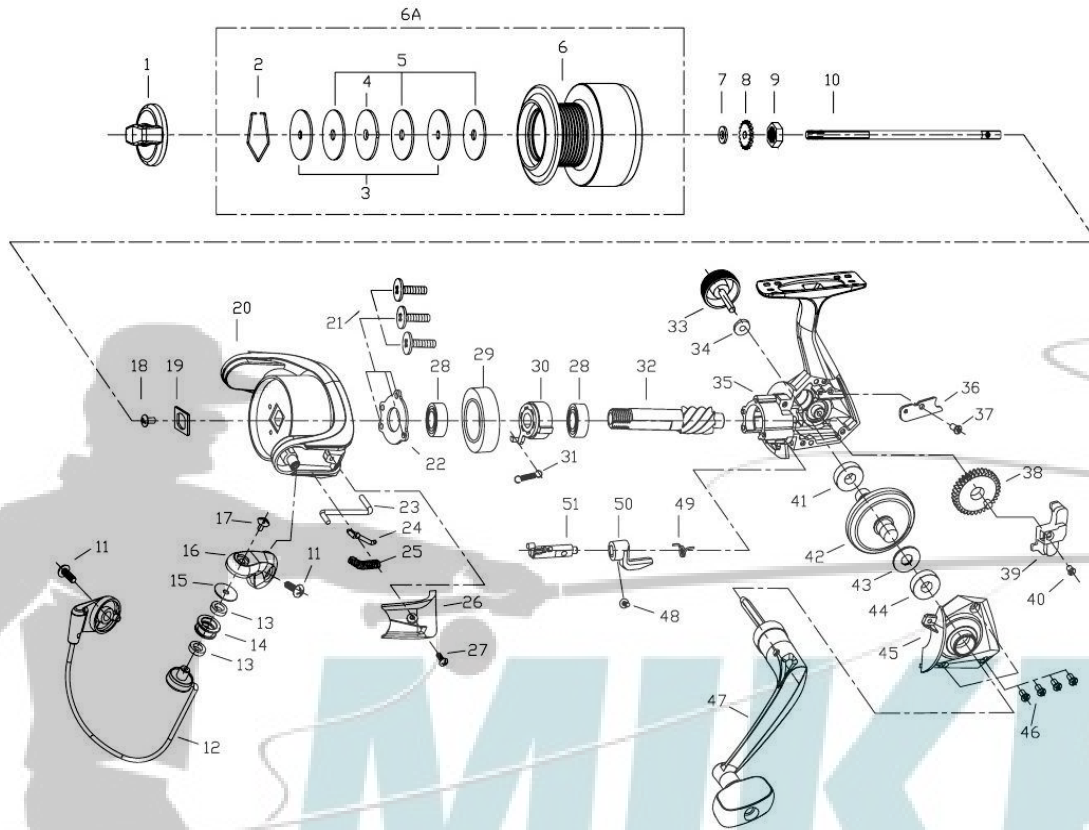




MODEL CWSP30

BER-SP-CWSP30-01



Item	Description	SAP #	Item	Description	SAP #	Item	Description	SAP #	Item	Description	SAP #
1	DRAG KNOB ASSEMBLY	1339519	13	BALL BEARING	1339532	26	ROTOR COVER	1344639	39	SLIDER	1344645
2	DRAG WASHER RETAINER	1283174	14	LINE ROLLER	1283183	27	SCREW	1283298	40	SCREW	1339507
3	KEY WASHER	1283175	15	WASHER	1283182	28	BALL BEARING	1283203	41	BALL BEARING	1339560
4	EAR WASHER	1283176	16	BAIL ARM	1283289	29	BEARING HOLDER	1283204	42	DRIVE GEAR	1344646
5	DRAG WASHER	1283177	17	SCREW	1283180	30	ONE WAY CLUTCH ASSY	1283205	43	WASHER	1339562
6	SPOOL	1339524	18	NUT LOCKING SCREW	1283190	31	CLUTCH SPRING	1283206	44	BALL BEARING	1283306
6A	SPOOL ASSEMBLY	1344635	19	WASHER	1283292	32	PINION GEAR	1344640	45	BODY COVER	1344647
7	CLICKER GEAR WASHER	1283186	20	ROTOR	1344637	33	HANDLE SCREW CAP	1283300	46	SCREW	1283218
8	CLICKER GEAR	1283187	21	SCREW	1283201	34	WASHER	1339553	47	HANDLE ASSEMBLY	1344648
9	NUT	1283188	22	PINION BEARING RETAINER	1283202	35	BODY	1344641	48	SCREW	1283213
10	MAIN SHAFT	1344636	23	BAIL TRIP LEVER	1344638	36	SLIDER KEEPER	1344642	49	SPRING	1283210
11	SCREW	1283191	24	PIVOT ARM	1283296	37	SCREW	1344643	50	ANTI-REVERSE LEVER	1283302
12	BAIL ASSEMBLY	1339531	25	BAIL TRIP SPRING	1283295	38	OSCILLATION GEAR	1344644	51	IAR SWITCH LEVER	1283211