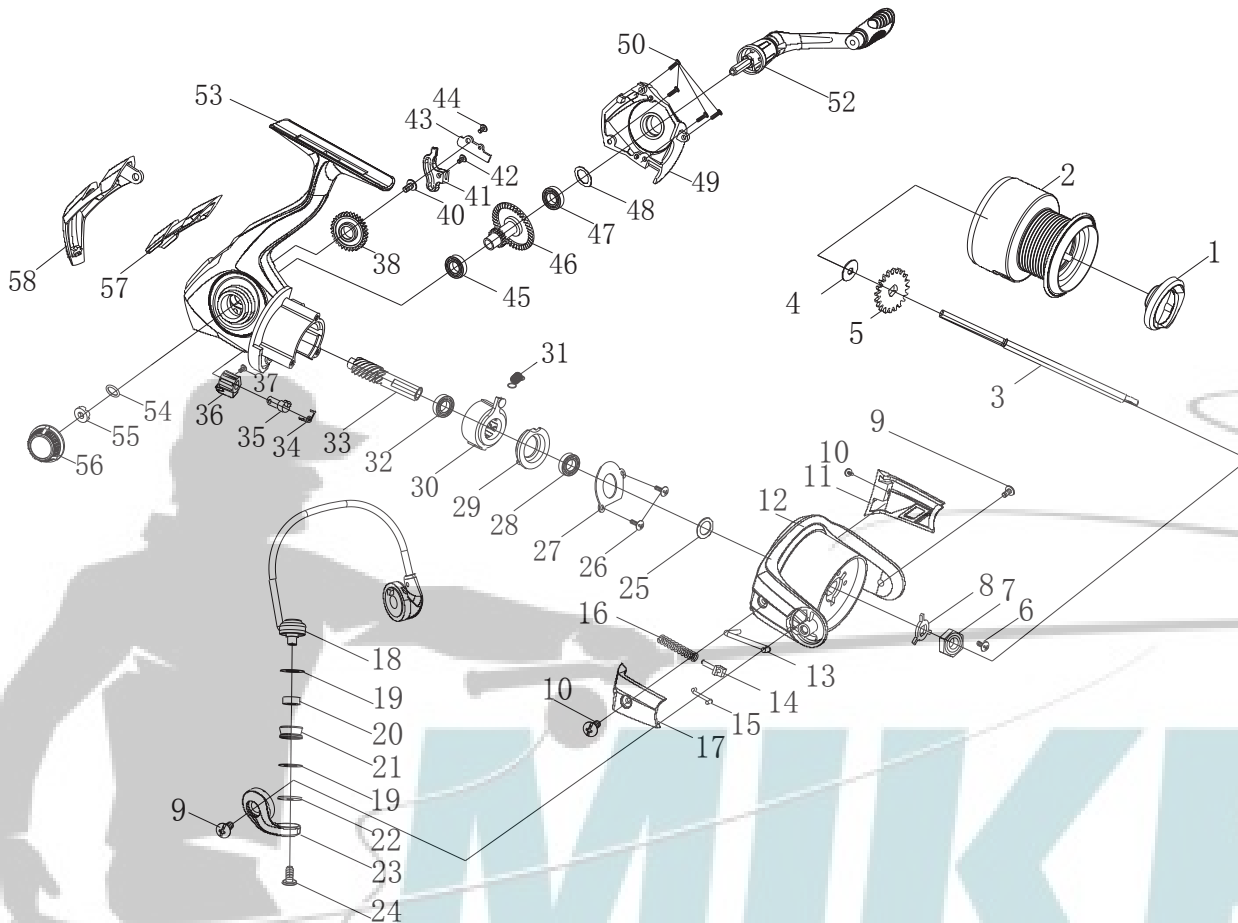


MITCHELL

AVOCET® IV

Model

AVOSLB-1000



NO. PARTS DESCRIPTION	AVOSLB-1000
-----------------------	-------------

29	ONE WAY CLUTCH SUPPORT	1276889
30	ONE WAY CLUTCH ASSY (including sleeve)	1276891
31	A/R PULLING SPRING	1276893
32	PINION DOWN BALL BEARING	1277327
33	PINION GEAR	1277328
34	A/R SPRING	1277329
35	A/R SHAFT	1277330
36	A/R SWITCH	1276899
37	A/R SWITCH SCREW	1276900
38	OSCILLATION GEAR	1277333
40	OSCILLATION GEAR SCREW	1277335
41	SLIDER	1277337
42	SLIDER SCREW	1277339
43	SLIDE CLIP	1277340
44	SLIDE CLIP SCREW	1277341
45	MAIN BODY BUSHING	1277342
46	MAIN GEAR	1277344
47	SIDE COVER BALL BEARING	1276913
48	MAIN GEAR WASHER	1277355
49	SIDE COVER ASSY	1344956
50	SIDE COVER SCREW	1276915
52	HANDLE ASSY	1344957
53	MAIN BODY ASSY	1344958
54	O RING	1277376
55	HANDLE RETRIEVE WASHER	1277377
56	HANDLE SCREW	1344959
57	SMALL REAR COVER	1344960
58	REAR COVER	1344961

NO. PARTS DESCRIPTION	AVOSLB-1000
-----------------------	-------------

1	DRAG KNOB ASSY	1344948
2	SPOOL ASSY	1344949
3	MAIN SHAFT	1277320
4	MAIN SHAFT WASHER	1277323
5	MAIN SHAFT RATCHET	1277324
6	HEX NUT RETAINER SCREW	1276823
7	ROTOR NUT	1276824
8	ROTOR RETAINER PLATE	1276825
9	ROTOR ARM SCREW	1276826
10	BAIL ARM COVER SCREW	1276827
11	ROTOR WEIGHT COVER	1344950
12	ROTOR ASSY	1344951
13	BAIL TRIP LEVER	1276846
14	BAIL ARM SPRING GUIDE	1276854

NO. PARTS DESCRIPTION	AVOSLB-1000
-----------------------	-------------

15	BAIL ARM SPRING SHAFT	1276856
16	BAIL ARM SPRING	1276858
17	BAIL ARM COVER	1344952
18	BAIL WIRE ASSY	1344953
19	ROLLER WASHER	1276876
20	ROLLER BUSHING	1277325
21	LINE ROLLER	1276877
22	ROLLER METAL WASHER	1276878
23	BAIL ARM	1344954
24	ROLLER SCREW	1276884
25	ONE WAY CLUTCH WASHER	1276885
26	ONE WAY CLUTCH COVER SCREW	1276886
27	ONE WAY CLUTCH COVER	1344955
28	PINION UP BALL BEARING	1276888