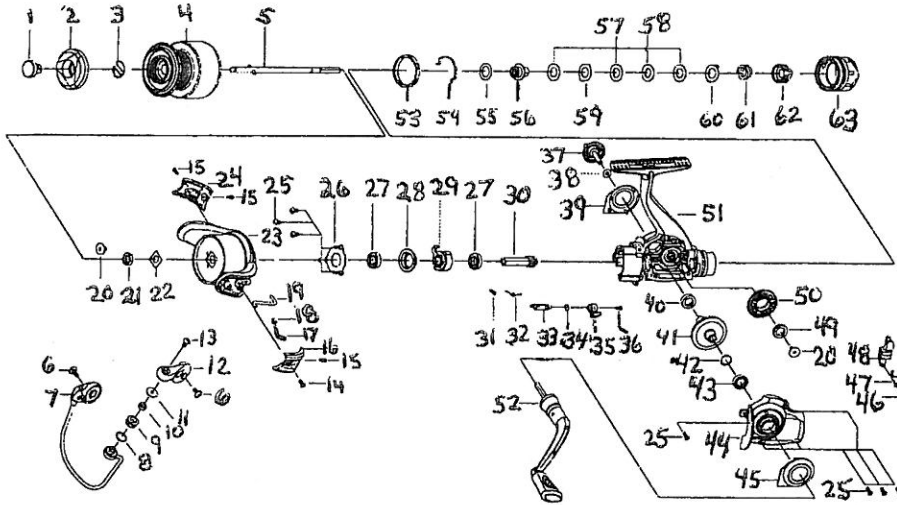




AVOCET II S-2000R



NO	Parts name	SAP	NO	Parts name	SAP
1	BUTTON	1137138	33	ANTI-REVERSE LEVER	1133850
2	SPOOL HEAD	1137139	34	WASHER	1133851
3	BUTTON RETAINER RING	1137140	35	ANTI-REVERSE BUTTON	1143537
4	SPOOL ALUM ASSY	1137141	36	SCREW	1133853
5	MAIN SHAFT	1137143	37	HANDLE SCREW CAP	1133854
6	SCREW	1133823	38	"O" RING	1133855
7	BAIL ASSY	1143535	39	BODY ACCENT RING	1133856
8	WASHER	1133825	40	BUSHING	1133857
9	LINE ROLLER	1133826	41	DRIVE GEAR	1137144
10	BUSHING	1133827	42	WASHER	1133859
11	LINE ROLLER WASHER	1133828	43	BALL BEARING	1133860
12	BAIL ARM	1133829	44	BODY COVER	1137145
13	SCREW	1133830	45	BODY COVER ACCENT RING	1133862
14	SCREW	1133831	46	SCREW	1137146
15	SCREW	1133832	47	RETAINER RING	1137147
16	ROTOR COVER	1133833	48	SLIDER	1137148
17	SPRING	1133834	49	BUSHING	1133865
18	BAIL LEVER	1133835	50	OSCILLATION GEAR	1133866
19	KICK LEVER	1133836	51	BODY	1137149
20	SCREW	1133837	52	HANDLE ASSY	1143538
21	NUT	1143536	53	RING	1137150
22	WASHER	1133839	54	DRAG RETAINER	1137151
23	ROTOR	1133840	55	WASHER	1137152
24	ROTOR COVER	1133841	56	DRAG GEAR	1137153
25	SCREW	1133842	57	WASHER	1137154
26	BALL BEARING RETAINER	1133843	58	KEY WASHER	1143539
27	BALL BEARING	1133844	59	EARED WASHER	1143540
28	BALL BEARING HOLDER	1133845	60	EARED WASHER	1143541
29	ONE WAY CLUTCH BEARING	1133846	61	SPRING	1137158
30	PINION GEAR	1133847	62	DRAG HOUSE	1137159
31	SPRING	1133848	63	DRAG KNOB	1137160
32	OWC BEARING SPRING	1133849			

REEL REPAIR