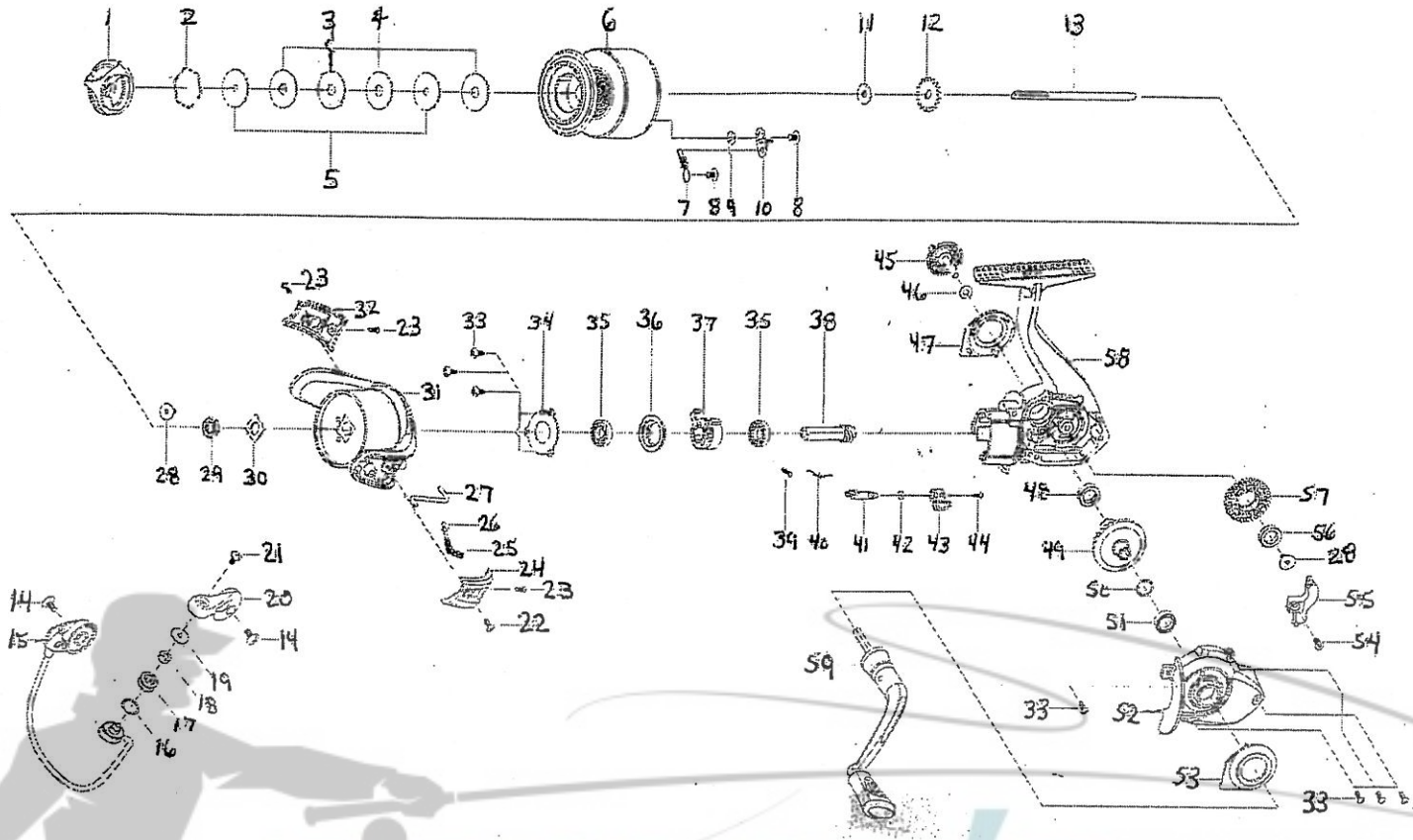


# AVOCET II S2000



## PARTS LIST OF AVOCET II S2000

ITEM	DESCRIPTION	AVOCET II S2000	ITEM	DESCRIPTION	AVOCET II S2000	ITEM	DESCRIPTION	AVOCET II S2000
1	DRAG KNOB ASSY	1133809	22	SCREW	1133831	44	SCREW	1133853
2	RETAINER RING	1133810	23	SCREW	1133832	45	HANDLE SCREW CAP	1133854
3	EARED WASHER	1152497	24	ROTOR COVER	1133833	46	"O" RING	1133855
4	WASHER	1133812	25	SPRING	1133834	47	BODY ACCENT RING	1133856
5	KEY WASHER	1152498	26	BAIL LEVER	1133835	48	BUSHING	1133857
6	SPOOL ALUM ASSY	1133814	27	KICK LEVER	1133836	49	DRIVE GEAR	1133858
7	CLICK SPRING	1133816	28	SCREW	1133837	50	WASHER	1133859
8	SCREW	1133817	29	NUT	1143536	51	BALL BEARING	1133860
9	BUSHING	1133818	30	WASHER	1133839	52	BODY COVER	1133861
10	CLICK GEAR	1133819	31	ROTOR	1133840	53	BODY COVER ACCENT RING	1133862
11	CLICK GEAR WASHER	1133820	32	ROTOR COVER	1133841	54	SCREW	1133863
12	CLICK GEAR	1133821	33	SCREW	1134106	55	SLIDER	1133864
13	MAIN SHAFT	1133822	34	BALL BEARING RETAINER	1133843	56	BUSHING	1133865
14	SCREW	1133823	35	BALL BEARING	1133844	57	OSCILLATION GEAR	1133866
15	BAIL ASSY	1143535	36	BALL BEARING HOLDER	1133845	58	BODY	1133867
16	WASHER	1133825	37	ONE WAY CLUTCH BEARING	1133846	59	HANDLE ASSY	1143538
17	LINE ROLLER	1133826	38	PINION GEAR	1133847			
18	BUSHING	1133827	39	SPRING	1133848			
19	LINE ROLLER WASHER	1133828	40	OWC BEARING SPRING	1133849			
20	BAIL ARM	1133829	41	ANTI-REVERSE LEVER	1133850			
21	SCREW	1133830	42	WASHER	1133851			
			43	ANTI-REVERSE BUTTON	1143537			

DIFFERENT BAIL AND GRAPHITE HANDLE Base