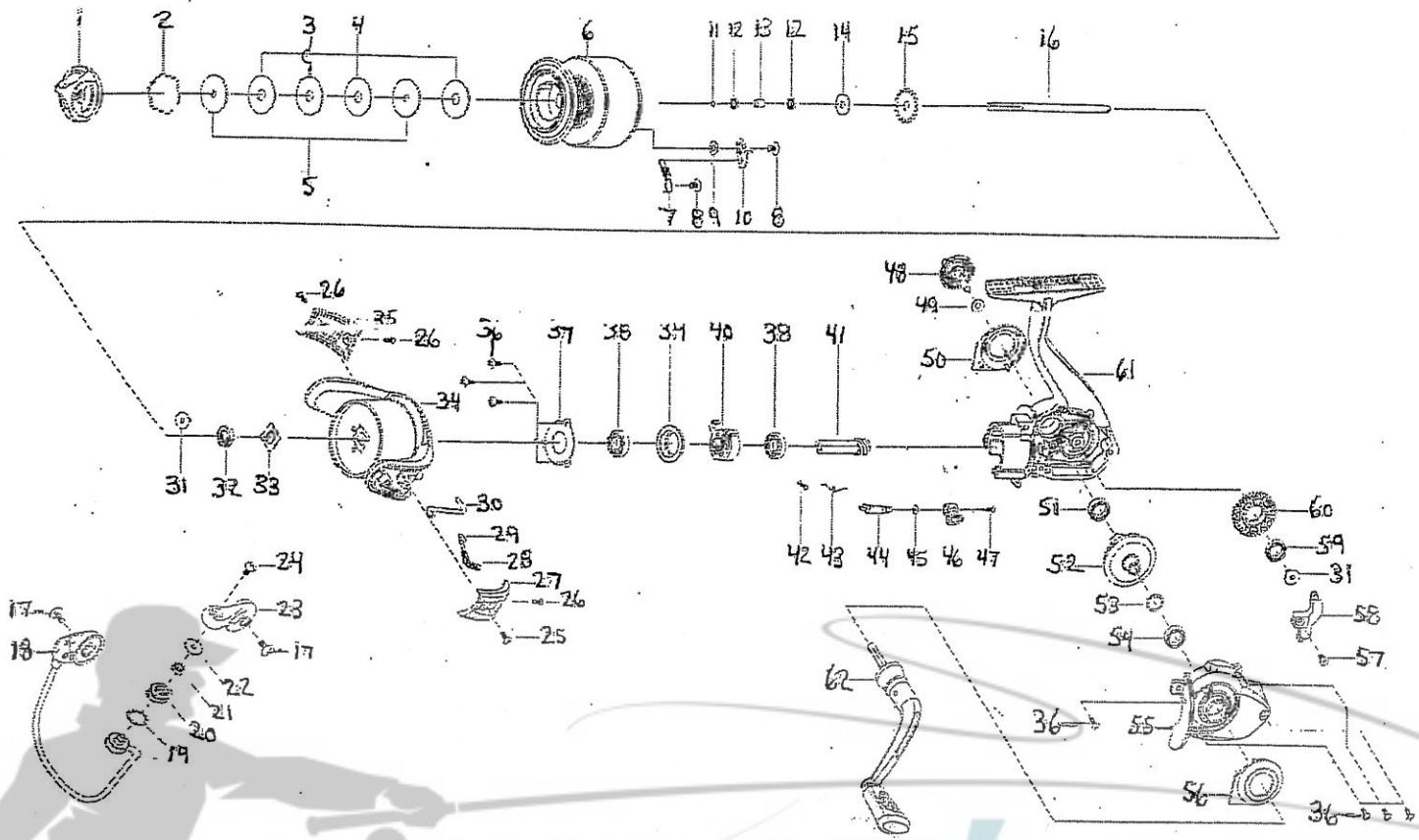


AVOCET II G2000



PARTS LIST OF AVOCET II G2000

ITEM	DESCRIPTION	AVOCET II G2000	ITEM	DESCRIPTION	AVOCET II G2000	ITEM	DESCRIPTION	AVOCET II G2000
1	DRAG KNOB ASSY	1133869	22	LINE ROLLER WASHER	1133828	44	ANTI-REVERSE LEVER	1133850
2	RETAINER RING	1133810	23	BAIL ARM	1133878	45	WASHER	1133851
3	EARED WASHER	1152497	24	SCREW	1133830	46	ANTI-REVERSE BUTTON	1152485
4	WASHER	1133812	25	SCREW	1133831	47	SCREW	1133853
5	KEY WASHER	1152498	26	SCREW	1133832	48	HANDLE SCREW CAP	1133883
6	SPOOL ALUM ASSY	1133870	27	ROTOR COVER	1133879	49	"O" RING	1133855
6	SPOOL SPARE ASSY	1133871	28	SPRING	1133834	50	BODY ACCENT RING	1133884
7	CLICK SPRING	1133816	29	BAIL LEVER	1133835	51	BALL BEARING	1133885
8	SCREW	1133817	30	KICK LEVER	1133836	52	DRIVE GEAR	1133858
9	BUSHING	1133818	31	SCREW	1133837	53	WASHER	1133859
10	CLICK GEAR	1133819	32	NUT	1143536	54	BALL BEARING	1133860
11	"O" WASHER	1133872	33	WASHER	1133839	55	BODY COVER	1133886
12	SPOOL BEARING	1133873	34	ROTOR	1133880	56	BODY COVER ACCENT RING	1133887
13	BUSHING	1133874	35	ROTOR COVER	1133881	57	SCREW	1133863
14	CLICK GEAR WASHER	1133820	36	SCREW	1134106	58	SLIDER	1133864
15	CLICK GEAR	1133821	37	BALL BEARING RETAINER	1133843	59	Bushing	1133865
16	MAIN SHAFT	1133822	38	BALL BEARING	1133844	60	OSCILLATION GEAR	1133866
17	SCREW	1133823	39	BALL BEARING HOLDER	1133845	61	BODY	1140711
18	BAIL ASSY	1152484	40	ONE WAY CLUTCH BEARING	1133846	62	HANDLE ASSY	1152499
19	WASHER	1133825	41	PINION GEAR	1133847			
20	LINE ROLLER	1133876	42	SPRING	1133848			
21	Ball bearing	1137165	43	OWC BEARING SPRING	1133849			

DIFFERENT BAIL AND GRAPHITE HANDLE Base