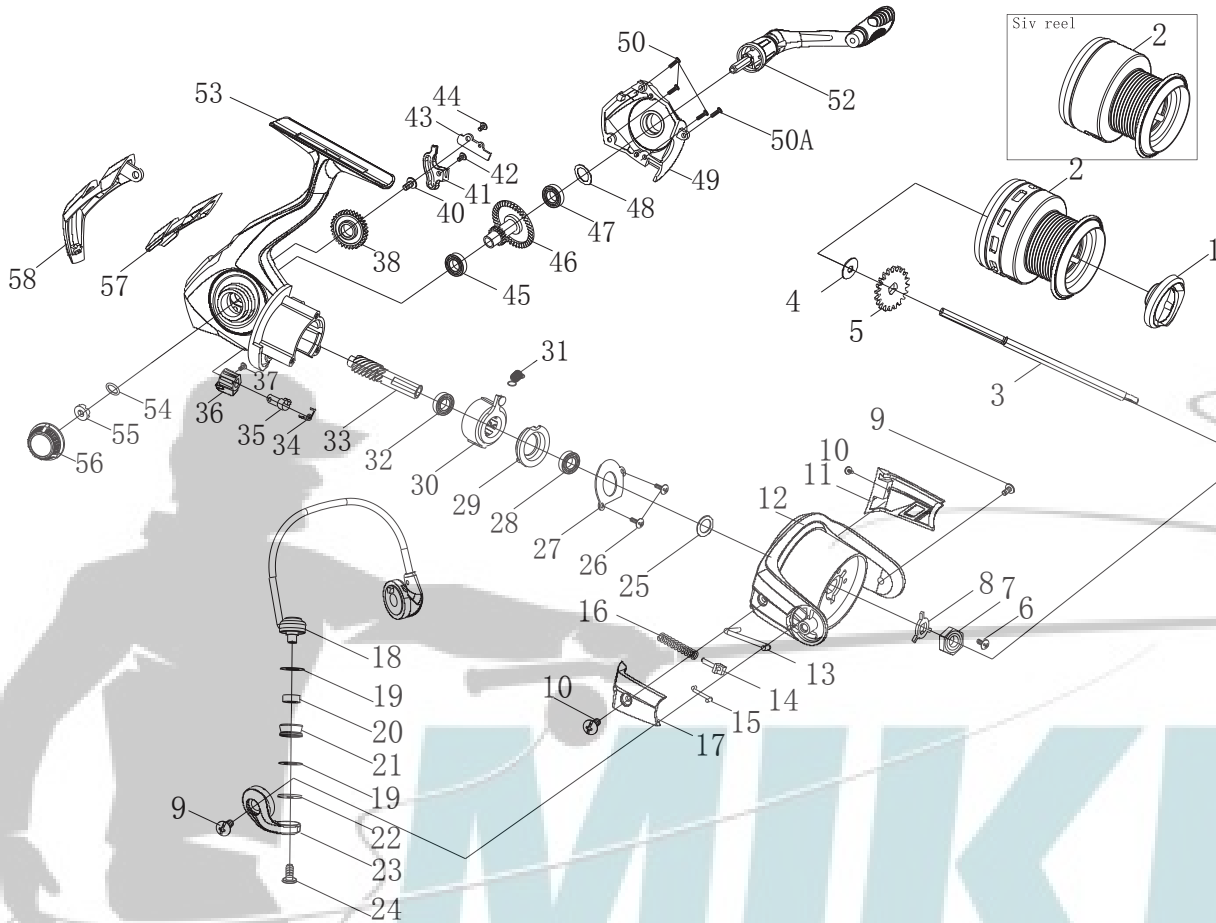


# MITCHELL

# AVOCET® IV

## Model

AVSIV-500UL AVGIV-500UL AVSIV-1000 AVGIV-1000



NO	PARTS DESCRIPTION	AVSIV-500UL	AVGIV-500UL	AVSIV-1000	AVGIV-1000
1	DRAG KNOB ASSY	1276799	1276800	1276799	1276800
2	SPOOL ASSY	1276807	1276808	1276809	1276810
3	MAIN SHAFT	1276817	1276817	1277320	1277320
4	MAIN SHAFT WASHER	1277321	1277321	1277323	1277323
5	MAIN SHAFT RATCHET	1277322	1277322	1277324	1277324
6	HEX NUT RETAINER SCREW	1276823	1276823	1276823	1276823
7	ROTOR NUT	1276824	1276824	1276824	1276824
8	ROTOR RETAINER PLATE	1276825	1276825	1276825	1276825
9	ROTOR ARM SCREW(2)	1276826	1276826	1276826	1276826
10	BAIL ARM COVER SCREW(2)	1276827	1276827	1276827	1276827
11	ROTOR WEIGHT COVER	1276829	1276828	1276830	1276831
12	ROTOR ASSY	1276834	1276835	1276836	1276837
13	BAIL TRIP LEVER	1276844	1276844	1276846	1276846
14	BAIL ARM SPRING GUIDE	1276854	1276854	1276854	1276854
15	BAIL ARM SPRING SHAFT	1276855	1276855	1276856	1276856
16	BAIL ARM SPRING	1276857	1276857	1276858	1276858
17	BAIL ARM COVER	1276860	1276861	1276862	1276863
18	BAIL WIRE ASSY	1276866	1276867	1276868	1276869

NO	PARTS DESCRIPTION	AVSIV-500UL	AVGIV-500UL	AVSIV-1000	AVGIV-1000
19	ROLLER WASHER(TEFLON 2)	1276876	1276876	1276876	1276876
20	ROLLER BUSHING	1277325	NA	1277325	NA
20	ROLLER BALL BEARING	NA	1277326	NA	1277326
21	LINE ROLLER	1276877	1276877	1276877	1276877
22	ROLLER METAL WASHER	1276878	1276878	1276878	1276878
23	BAIL ARM	1276880	1276881	1276882	1276883
24	ROLLER SCREW	1276884	1276884	1276884	1276884
25	ONE WAY CLUTCH WASHER	1276885	1276885	1276885	1276885
26	ONE WAY CLUTCH COVER SCREW(2)	1276886	1276886	1276886	1276886
27	ONE WAY CLUTCH COVER	1276887	1276887	1277331	1277331
28	PINION UP BALL BEARING	1276888	1276888	1276888	1276888
29	ONE WAY CLUTCH SUPPORT	1276889	1276889	1276889	1276889
30	ONE WAY CLUTCH ASSY (including sleeve)	1276891	1276891	1276891	1276891
31	A/R PULLING SPRING	1276893	1276893	1276893	1276893
32	PINION DOWN BALL BEARING	1277327	1277327	1277327	1277327
33	PINION GEAR	1277328	1277328	1277328	1277328
34	A/R SPRING	1277329	1277329	1277329	1277329
35	A/R SHAFT	1277330	1277330	1277330	1277330
36	A/R SWITCH	1276899	1276899	1276899	1276899
37	A/R SWITCH SCREW	1276900	1276900	1276900	1276900
38	OSCILLATION GEAR	1277332	1277332	1277333	1277333
40	OSCILLATION GEAR SCREW	NA	NA	1277335	1277335
41	SLIDER	1277336	1277336	1277337	1277337
42	SLIDER SCREW	1277338	1277338	1277339	1277339
43	SLIDE CLIP	1277340	1277340	1277340	1277340
44	SLIDE CLIP SCREW	1277341	1277341	1277341	1277341
45	MAIN BODY BUSHING	1277342	NA	1277342	NA
45	MAIN BODY BALL BEARING	NA	1277343	NA	1277343
46	MAIN GEAR	1277344	1277344	1277344	1277344
47	SIDE COVER BALL BEARING	1276913	1276913	1276913	1276913
48	MAIN GEAR WASHER	1277355	1277355	1277355	1277355
49	SIDE COVER ASSY	1277345	1277346	1277347	1277348
50	SIDE COVER SCREW (3)	1276915	1276915	1276915	1276915
50A	SIDE COVER SCREW1 (1)	1277356	1277356	1276915	1276915
52	HANDLE ASSY	1277357	NA	1277357	NA
52	HANDLE ASSY (including two ball bearings)	NA	1277358	NA	1277358
53	MAIN BODY ASSY	1277363	1277364	1277365	1277369
54	O RING	1277376	1277376	1277376	1277376
55	HANDLE RETRIEVE WASHER	1277377	1277377	1277377	1277377
56	HANDLE SCREW	1277378	1277379	1277378	1277379
57	SMALL REAR COVER	1277380	1277380	1277381	1277381
58	REAR COVER	1277384	1277385	1277386	1277387