

MITCHELL

AVOCET® IV

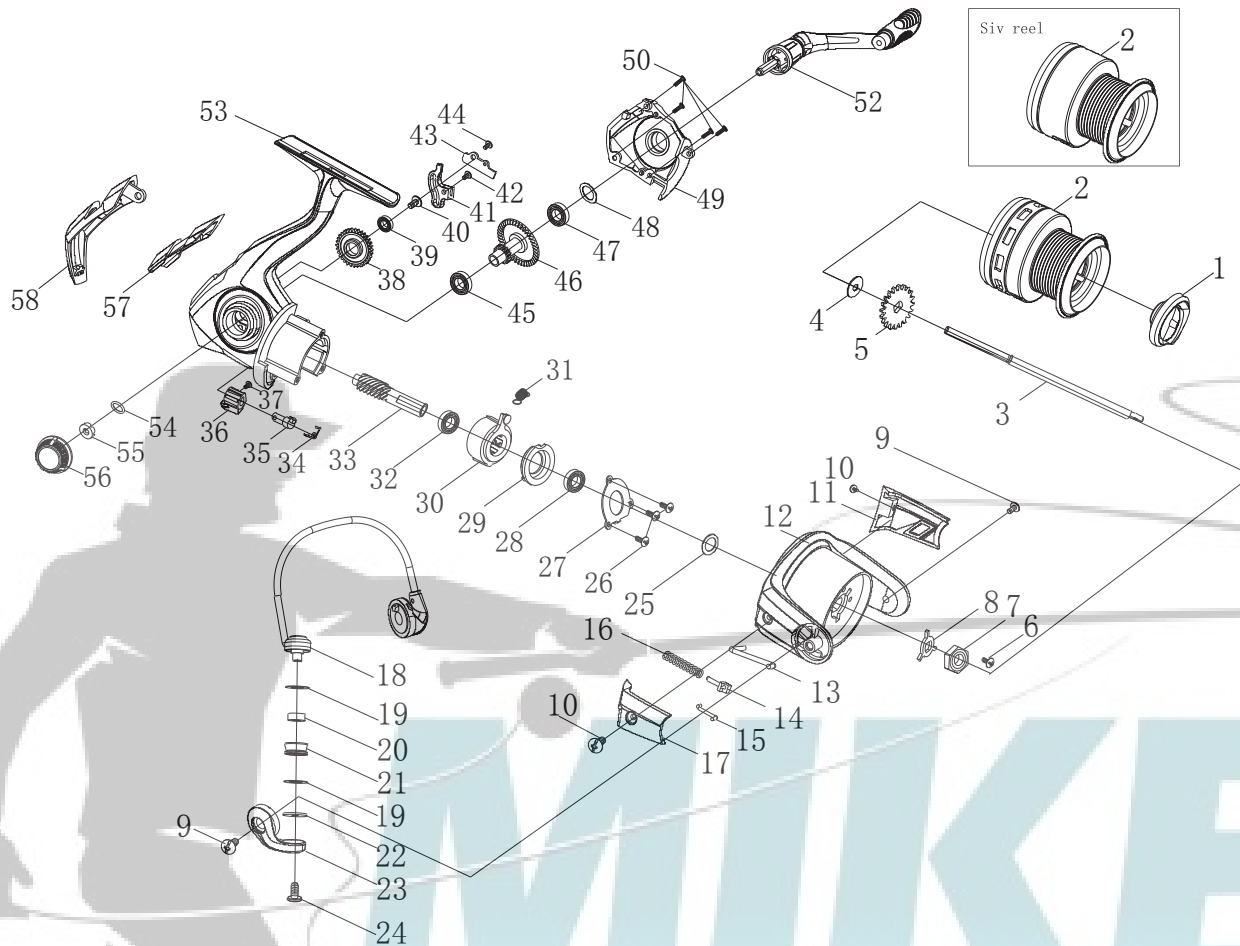
Model

AVSIV-2000

AVGIV-2000

AVSIV-3000

AVGIV-3000



NO	PARTS DESCRIPTION	AVSIV-2000	AVGIV-2000	AVSIV-3000	AVGIV-3000
19	ROLLER WASHER(TEFLON 2)	1276876	1276876	1276876	1276876
20	ROLLER BUSHING	1277325	NA	1277325	NA
20	ROLLER BALL BEARING	NA	1277326	NA	1277326
21	LINE ROLLER	1276877	1276877	1276877	1276877
22	ROLLER METAL WASHER	1276878	1276878	1276878	1276878
23	BAIL ARM	1276882	1276883	1276882	1276883
24	ROLLER SCREW	1276884	1276884	1276884	1276884
25	ONE WAY CLUTCH WASHER	1276885	1276885	1276885	1276885
26	ONE WAY CLUTCH COVER SCREW(3)	1276886	1276886	1276886	1276886
27	ONE WAY CLUTCH COVER	1277331	1277331	1277331	1277331
28	PINION UP BALL BEARING	1276888	1276888	1276888	1276888
29	ONE WAY CLUTCH SUPPORT	1276890	1276890	1276890	1276890
30	ONE WAY CLUTCH ASSY (including sleeve)	1276892	1276892	1276892	1276892
31	A/R PULLING SPRING	1276893	1276893	1276893	1276893
32	PINION DOWN BALL BEARING	1276894	1276894	1276894	1276894
33	PINION GEAR	1276895	1276895	1276895	1276895
34	A/R SPRING	1276897	1276897	1276897	1276897
35	A/R SHAFT	1276898	1276898	1276898	1276898
36	A/R SWITCH	1276899	1276899	1276899	1276899
37	A/R SWITCH SCREW	1276900	1276900	1276900	1276900
38	OSCILLATION GEAR(3+1BB)	1276901	NA	1276901	NA
38	OSCILLATION GEAR(7+1BB)	NA	1276903	NA	1276903
39	OSCILLATION GEAR BALL BEARING	NA	1276904	NA	1276904
40	OSCILLATION GEAR SCREW	1276905	1276905	1276905	1276905
41	SLIDER	1276906	1276906	1276906	1276906
42	SLIDER SCREW	1277339	1277339	1277339	1277339
43	SLIDE CLIP	1276908	1276908	1276908	1276908
44	SLIDE CLIP SCREW	1276910	1276910	1276910	1276910
45	MAIN BODY BUSHING	1277342	NA	1277342	NA
45	MAIN BODY BALL BEARING	NA	1277343	NA	1277343
46	MAIN GEAR	1276911	1276911	1276911	1276911
47	SIDE COVER BALL BEARING	1276913	1276913	1276913	1276913
48	MAIN GEAR WASHER	1276914	1276914	1276914	1276914
49	SIDE COVER ASSY	1277349	1277350	1277351	1277352
50	SIDE COVER SCREW (4)	1276915	1276915	1276915	1276915
52	HANDLE ASSY	1277358	NA	1277358	NA
52	HANDLE ASSY(including two ball bearings)	NA	1277360	NA	1277360
53	MAIN BODY ASSY	1277370	1277371	1277372	1277373
54	O RING	1277376	1277376	1277376	1277376
55	HANDLE RETRIEVE WASHER	1277377	1277377	1277377	1277377
56	HANDLE SCREW	1277378	1277379	1277378	1277379
57	SMALL REAR COVER	1277382	1277382	1277382	1277382
58	REAR COVER	1277388	1277389	1277388	1277389

NO	PARTS DESCRIPTION	AVSIV-2000	AVGIV-2000	AVSIV-3000	AVGIV-3000
1	DRAG KNOB ASSY	1276801	1276802	1276803	1276804
2	SPOOL ASSY	1276811	1276812	1276813	1276814
3	MAIN SHAFT	1276818	1276818	1276818	1276818
4	MAIN SHAFT WASHER	1276821	1276821	1276821	1276821
5	MAIN SHAFT RATCHET	1276822	1276822	1276822	1276822
6	HEX NUT RETAINER SCREW	1276823	1276823	1276823	1276823
7	ROTOR NUT	1276824	1276824	1276824	1276824
8	ROTOR RETAINER PLATE	1276825	1276825	1276825	1276825
9	ROTOR ARM SCREW(2)	1276826	1276826	1276826	1276826
10	BAIL ARM COVER SCREW(2)	1276827	1276827	1276827	1276827
11	ROTOR WEIGHT COVER	1276830	1276831	1276830	1276831
12	ROTOR ASSY	1276838	1276839	1276840	1276841
13	BAIL TRIP LEVER	1276848	1276848	1276850	1276850
14	BAIL ARM SPRING GUIDE	1276854	1276854	1276854	1276854
15	BAIL ARM SPRING SHAFT	1276856	1276856	1276856	1276856
16	BAIL ARM SPRING	1276858	1276858	1276858	1276858
17	BAIL ARM COVER	1276862	1276863	1276862	1276863
18	BAIL WIRE ASSY	1276870	1276871	1276872	1276873