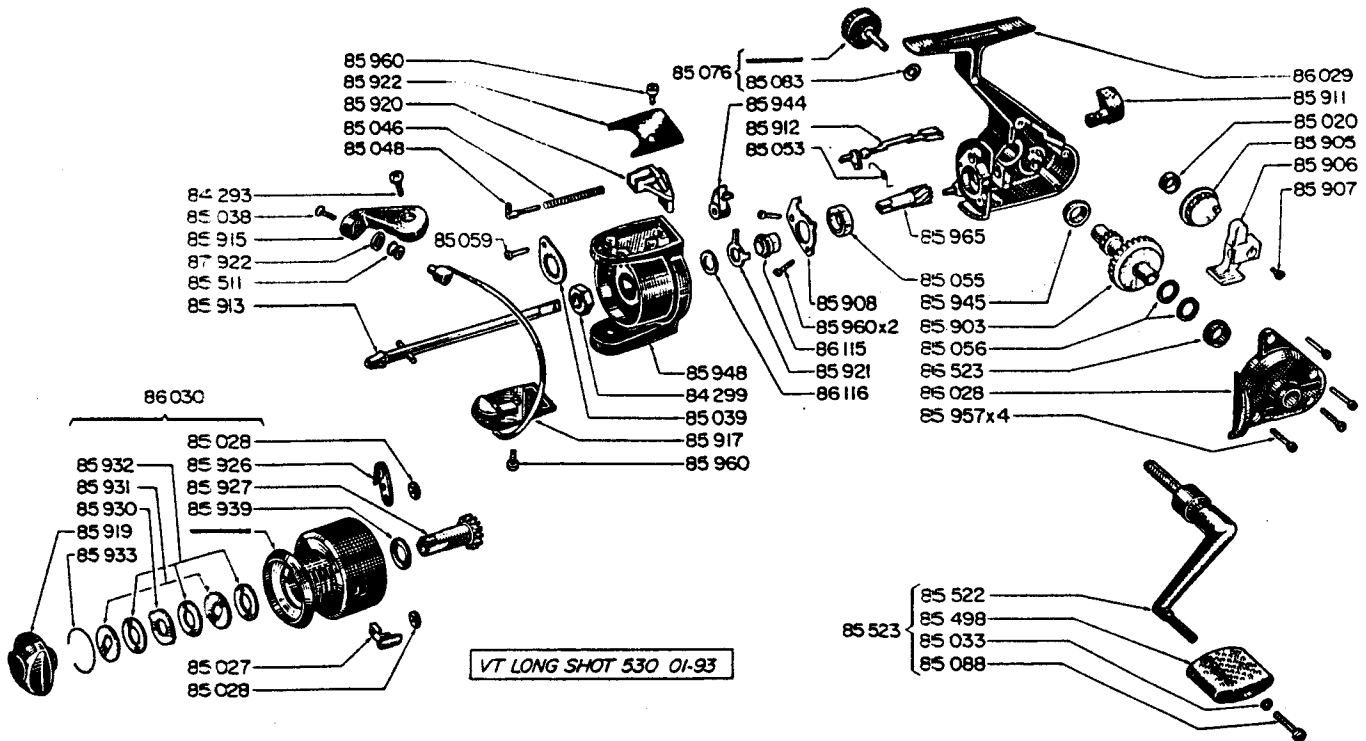


# MITCHELL®

## 530 Long shot



Part No. Description

8429300 BAIL ARM SCREW  
8429900 ROTATING HEAD HEX NUT  
8502000 CROSS WIND BUSHING  
8502700 LINE CLIP  
8502800 RETAINING CLIP  
8503300 HANDLE KNOB WASHER  
8503800 LINE GUIDE SCREW  
8503900 HEX NUT LOCKING RING  
8504600 BAIL SPRING  
8504800 BAIL SPRING PIN  
8505300 ANTI-REVERSE SHAFT SPRING  
8505500 BALL BEARING  
8505600 SHIM - DRIVE GEAR  
8505900 MOUNTING SCREW  
8507600 HANDLE CAP SCREW W/ WASHER  
8508300 CAP SCREW WASHER  
8508800 HANDLE KNOB SCREW  
8549800 HANDLE KNOB  
8551100 LINE GUIDE  
8552200 HANDLE ARM  
8552300 HANDLE  
8590300 DRIVE GEAR  
8590500 CROSS WIND GEAR  
8590600 OSCILLATION SLIDE  
8590700 OSCILLATION SLIDE SCREW  
8590800 BEARING RETAINER  
8591100 ANTI-REVERSE BUTTON  
8591200 ANTI-REVERSE SHAFT

Part No. Description

8591300 AXLE  
8591500 BAIL ARM  
8591700 BAIL WIRE W/ COVER PLATE  
8591900 DRAG KNOB  
8592000 TRIP LEVER  
8592100 ANTI-REVERSE FRICTION  
8592200 COVER PLATE N1  
8592600 SPOOL CLICK  
8592700 SPOOL SPINDLE  
8593000 EARED DRAG WASHER  
8593100 KEYED DRAG WASHER  
8593200 DRAG WASHER  
8593300 DRAG RETAINER  
8593900 BASE DRAG WASHER  
8594400 ANTI-REVERSE DOG  
8594500 HOUSING BUSHING  
8594800 ROTATING HEAD  
8595700 SIDE PLATE SCREW  
8596000 RETAINING SCREW  
8596500 PINION GEAR  
8602800 SIDE PLATE  
8602900 HOUSING  
8603000 SPOOL  
8611500 AR FRICTION BUSHING  
8611600 AR FRICTION WASHER  
8652300 BUSHING  
8792200 LINE GUIDE RACE