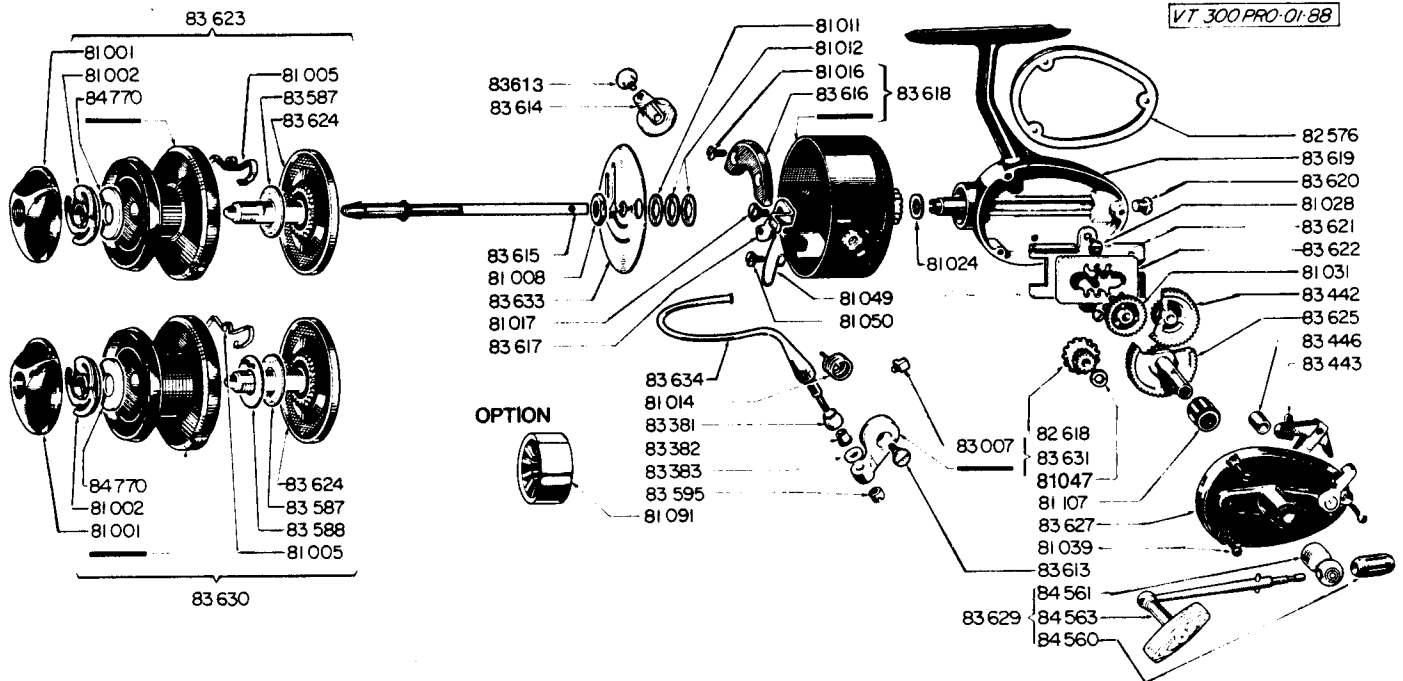


VT 300 PRO-01:88



Part No.	Part Name
81001	DRAG ADJUSTING KNOB
81002	STEEL BRAKE SPRING
81005	STEEL CLICK SPRING
81008	STEEL HEX NUT
81011	BAFFLE PLATE WASHER
81012	SHIMS/ADJ HEAD & DRIVE GR.
81014	STEEL BAIL SPRING
81016	COUNTERWEIGHT SCREW
81017	BRASS TRIP LEVER SCREW
81024	BRASS ADJUSTMENT SHIMS
81028	OSCILLATION GUIDE SCREW
81031	PIVOT GEAR
81039	BRASS COVER SCREW
81047	SHIMS/ADJ. PINION GEAR
81049	TRIP LEVER SPRING
81050	TRIP LEVER SPRING SCREW
81091	SPOOL ARBOR
81107	COVER PLATE BEARING
82576	COVER PLATE SEAL
82618	ZINC ALLOY PINION GEAR
83007	BAIL BUMPER
83381	BRASS ROLLER LINE GUIDE
83382	ROLLER LINE GUIDE BUSHING
83383	BRASS LINE GUIDE RACE
83442	TRANSFER GEAR
83443	ANTI-REVERSE CLICK
83446	BRASS TRANSF. GR. SPACER

Part No.	Part Name
83587	LEATHER DRAG WASHER
83588	BRONZE FRICTION WASHER
83595	BRASS BAILWIRE HEX
83613	BAILARM & BRACKET SCREW
83614	BLACK BRACKET
83615	BRONZE AXLE
83616	LEAD COUNTERWEIGHT
83617	STEEL TRIP LEVER
83618	ALUM.ALLOY ROTATING HEAD
83619	ALUMINUM ALLOY HOUSING
83620	LUBE PORT SCREW
83621	OSCILLATION GUIDE
83622	OSCILLATION SLIDE
83623	SPOOL—DEEP ANODIZED METAL
83624	BRASS SPINDLE
83625	BRONZE & STEEL DRIVE GEAR
83627	ALUMINUM ALLOY COVER
83629	HANDLE COMPLETE
83630	SPOOL—STANDARD GRAPHITE
83631	BAIL ARM
83633	BAFFLE PLATE
83634	STEEL BAIL WIRE
84560	HANDLE COUNTERWEIGHT
84561	ALUM. & BRASS HANDLE CORE
84563	ALUM. & WOOD HANDLE ARM
84770	TEFLON DRAG WASHER