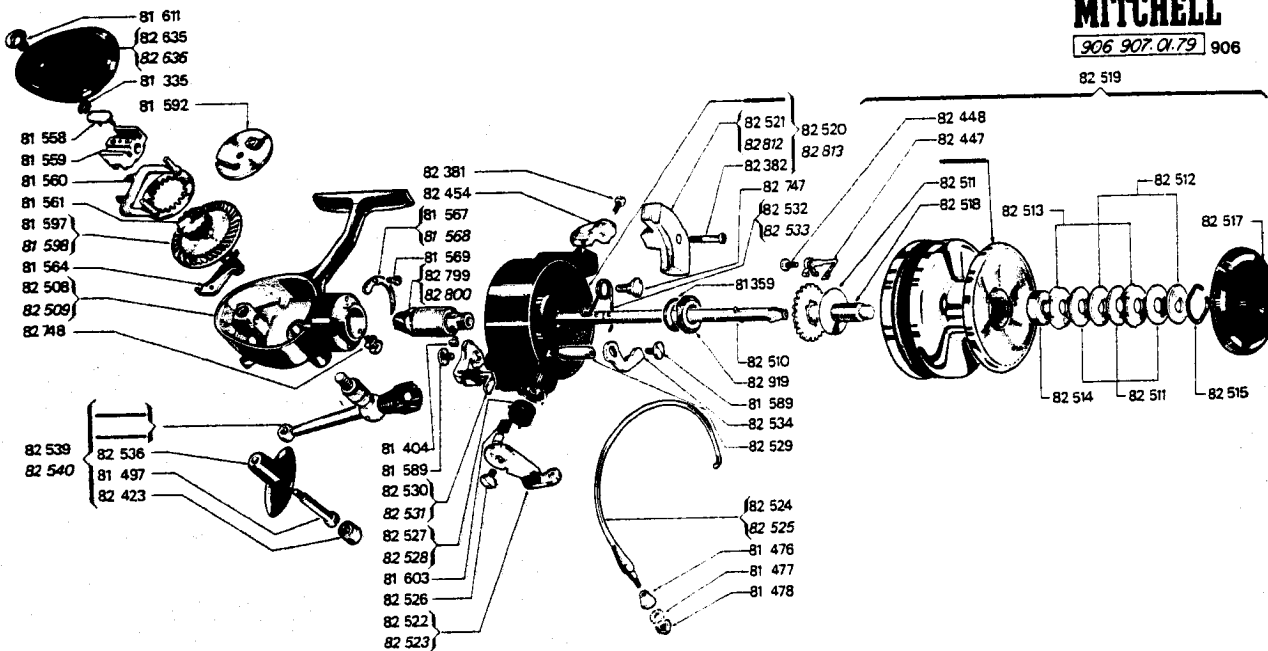


MITCHELL

906 907 01.79 906



CODE NO.	DESCRIPTION	SUGGESTED RETAIL	CODE NO.	DESCRIPTION	SUGGESTED RETAIL
81335	Cam "C" Lock	.25	82517	Drag Adjusting Knob	2.00
81359	Hex Nut Lock Washer	.40	82518	Spindle	3.45
81404	Key	.25	82519	Spool Complete	15.25
81476	Roller Line Guide	1.10	82520	Rotating Head	9.00
81477	Bail Wire Lock Washer	.25	82521	Counterweight	3.40
81478	Bail Wire Lock Nut	.45	82522	Bail Wire Mount	2.60
81497	Handle Knob Screw	1.70	82523	Bail Wire Mount	2.60
81558	Oscillation Slide Lock	1.05	82524	Bail Wire	6.20
81559	Oscillation Slide	.85	82525	Bail Wire	6.20
81560	Cam Ring Assembly	3.00	82526	Bail Screw	.90
81561	Planamatic Gear	2.40	82527	Bail Spring	1.70
81564	Anti Reverse Dog	1.10	82528	Bail Spring	1.70
81567	Anti Inertia Brake	.65	82529	Trip Lever Axle	2.60
81568	Anti Inertia Brake	.65	82530	Trip Lever	1.50
81569	Anti Inertia Brake Screw	.25	82531	Trip Lever	1.50
81589	Bail Screw N 2	.45	82532	Trip Lever Spring	.65
81592	Cross Wind Cam	1.70	82533	Trip Lever Spring	.65
81597	Drive Gear	12.70	82534	Bail Trip	.85
81598	Drive Gear	12.70	82536	Handle Knob	2.20
81603	Bail Bumper	.25	82539	Handle Complete	6.15
81611	Side Plate Screw	.85	82540	Handle Complete	6.15
82381	Screw M 3 x 9.5	.30	82635	Side Plate	1.05
82382	Right Reel Foot Screw	.30	*82636	Side Plate	1.05
82423	Handle Knob Lube Port	.85	82747	Bail Trip Spring Screw	.85
82447	Spool Click	.65	82748	Bail Trip	.60
82448	Click Screw	.60	82799	Pinion Gear Ball Bearing Assembly	10.90
82454	External Rotating Head Counter	1.40	82800	Pinion Gear Ball Bearing Assembly	10.90
82508	Housing	20.00	82812	Counterweight	3.40
82509	Housing	20.00	82813	Rotating Head	13.25
82510	Axle	4.05	82919	Axle	.60
82511	Teflon Drag Washer	.65			
82512	Drag Washer	.65			
82513	Drag Washer	.80			
82514	Brake Spring	.85			
82515	Drag Lock Clip	.65			

*When present inventory is depleted, this part will be replaced by another number. Please refer to chart in back of book.