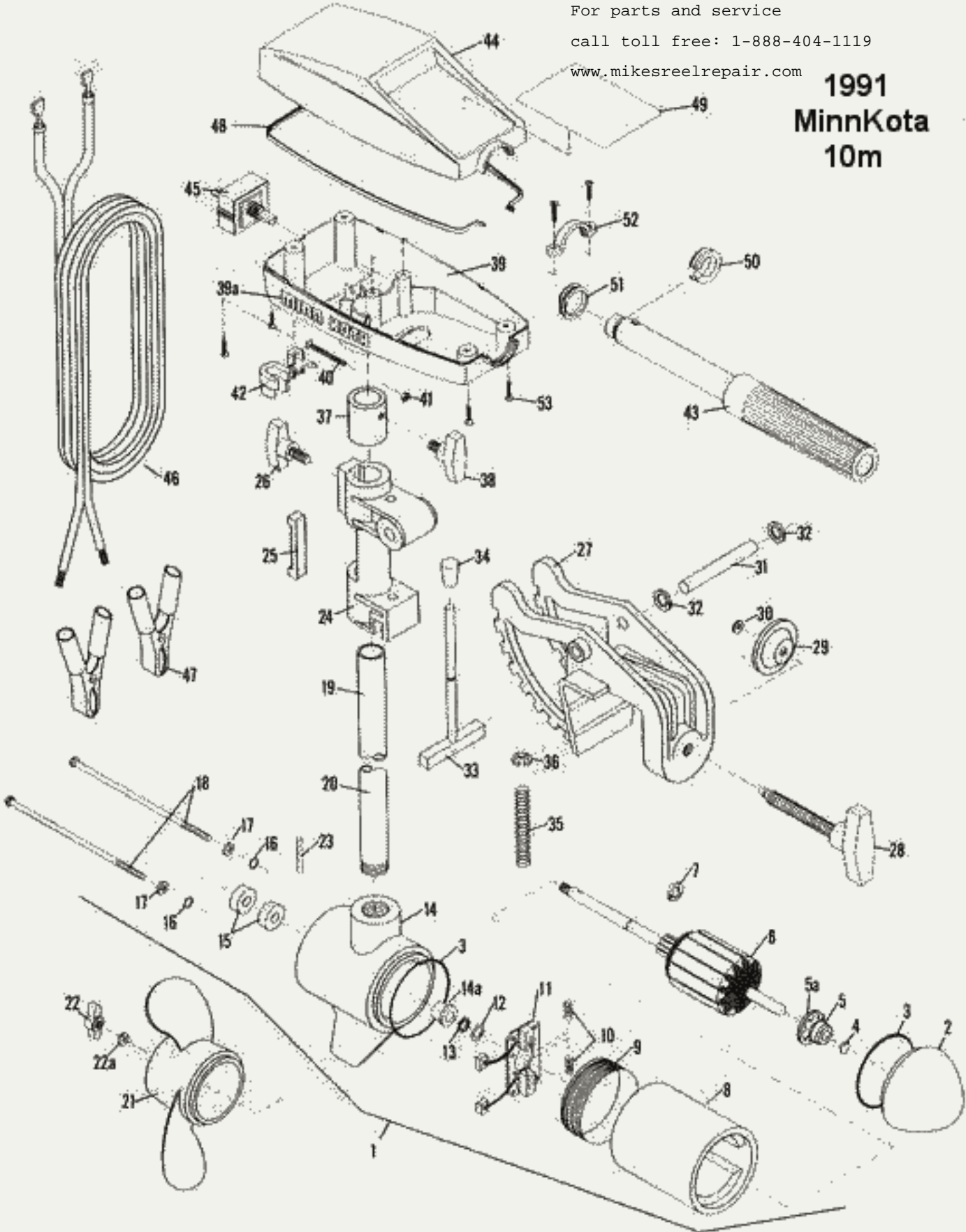


For parts and service

call toll free: 1-888-404-1119

www.mikesreelrepair.com

# 1991 MinnKota 10m



For parts and service

call toll free: 1-888-404-1119

www.mikesreelrepair.com

# 1991 MinnKota 10m Parts Listing

Item No.	Part No.	Description	Item No.	Part No.	Description	Item No.	Part No.	Description
1	201-1010	Motor Assembly 10M (complete)	18	401-351	Thru Bolt (2 req'd.)	37	201-1501	Collar
2	401-020	Front End Bell	19	201-2000	Tube—27"	38	201-1360	Depth Collar Set Screw
3	401-460	O-Ring (2 req'd.)	20	201-2010	Tube—30" (optional)	39	201-2520	Control Box
4	401-050	Thrust Disc	21	203-1151	Propeller	39A	201-6600	Decal-Control Box (2 req'd.)
5	401-600	Bearing	22	203-3110	Propeller Nut	40	201-3420	Control Box Screw
5A	405-302	Bearing Retainer	22A	201-1720	Propeller Washer	41	201-3110	Hex Nut
6	401-202	Armature	23	208-2600	Shear Pin	42	201-2910	Strain Relief
7	401-300	E-Ring	24	201-1800	Hinge	43	201-0970	Handle Assembly
8	401-250	Center Section w/ Magnets	25	201-2800	Tension Block	44	201-0220	Control Box Cover
9	401-240	Speed Coil	26	203-1320	Steering Tension Set Screw		201-5400	Wire Insulator
10	401-080	Brush Spring (2 req'd.)	27	201-1900	Bracket	45	201-4010	Switch—2 Speed
11	401-401	Brush Plate Assembly	28	201-1370	Clamp Screw	46	201-0600	Lead Wire (includes Battery Clips and Terminals)
12	401-170	Steel Washer	29	201-1710	Clamp Screw Washer	47	201-0700	Battery Clips (2 req'd.)
13	401-171	Thrust Washer	30	201-3010	Retaining Ring	48	201-6900	Gasket—Cover
14	401-031	Rear End Bell	31	201-0500	Hinge Pin	49	201-5620	Decal—Cover 10M
14A	401-000	Shoulder Bushing	32	201-3100	Speed Nut (2 req'd.)	50	201-0000	Handle Bearing (inner)
15	401-461	Seat (2 req'd.)	33	201-3600	T-Bar	51	201-0010	Handle Bearing (outer)
16	401-462	Thru Bolt O-Ring (2 req'd.)	34	201-0100	Tilt Lock Button	52	201-0030	Bearing Cap (handle)
17	401-172	Thru Bolt Washer (2 req'd.)	35	201-2700	T-Bar Spring	53	201-2100	Screw—Cover (6 req'd.)
			36	201-3000	E-Ring			

## WIRING DIAGRAM

For parts and service  
call toll free: 1-888-404-1119  
[www.mikesreelrepair.com](http://www.mikesreelrepair.com)

