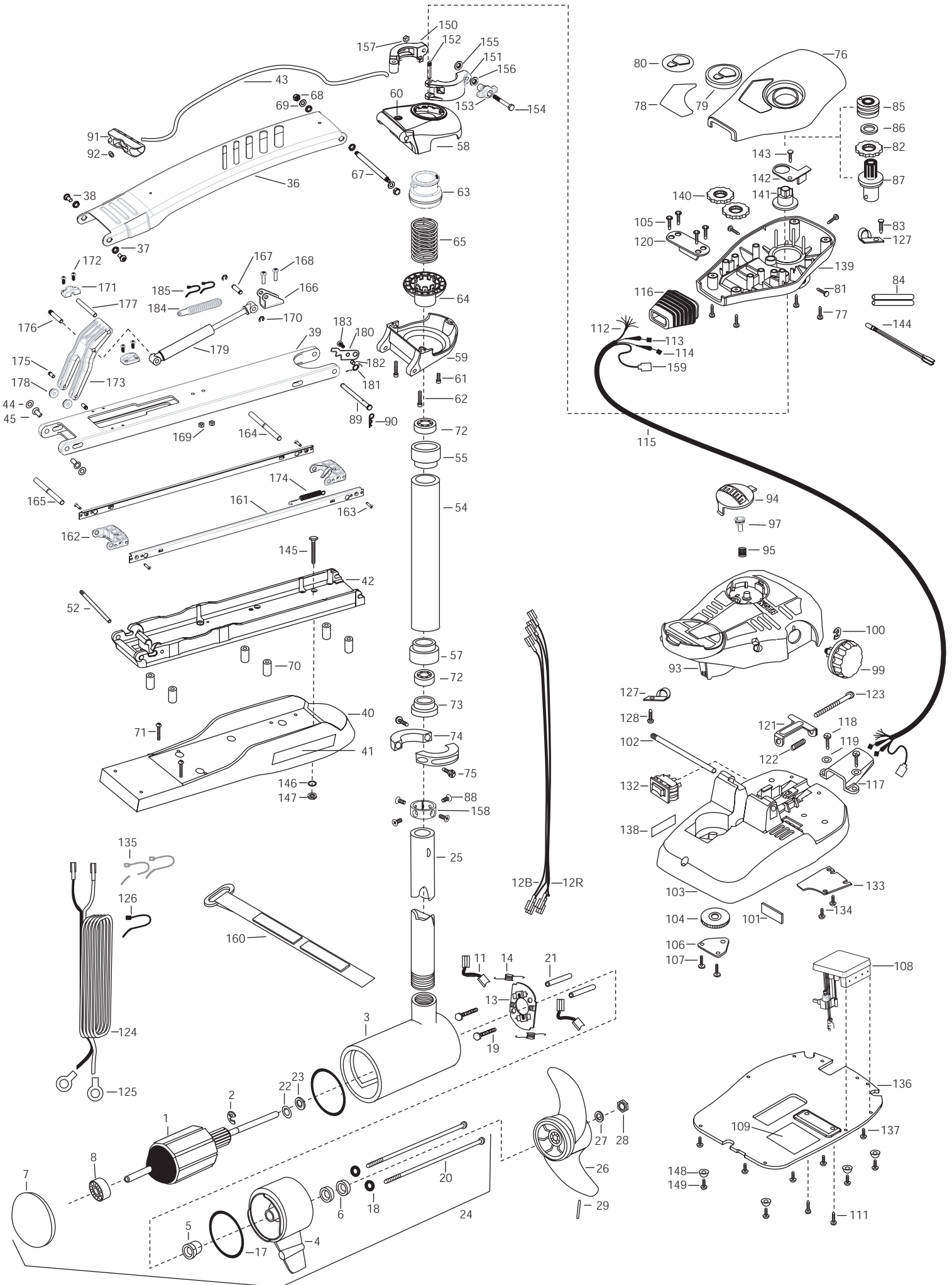


**MAXXUM PRO 80 and Sonar**  
**80 lbs Thrust**  
**24 volt 56 amps**  
**52" & 62" SHAFT**

for use with 2005 models with serial numbers less than "WWAF0059607"  
**3-year warranty from the date of purchase**

For Parts and Service  
 Call 1-888-404-1119  
 www.mikesreelrepair.com



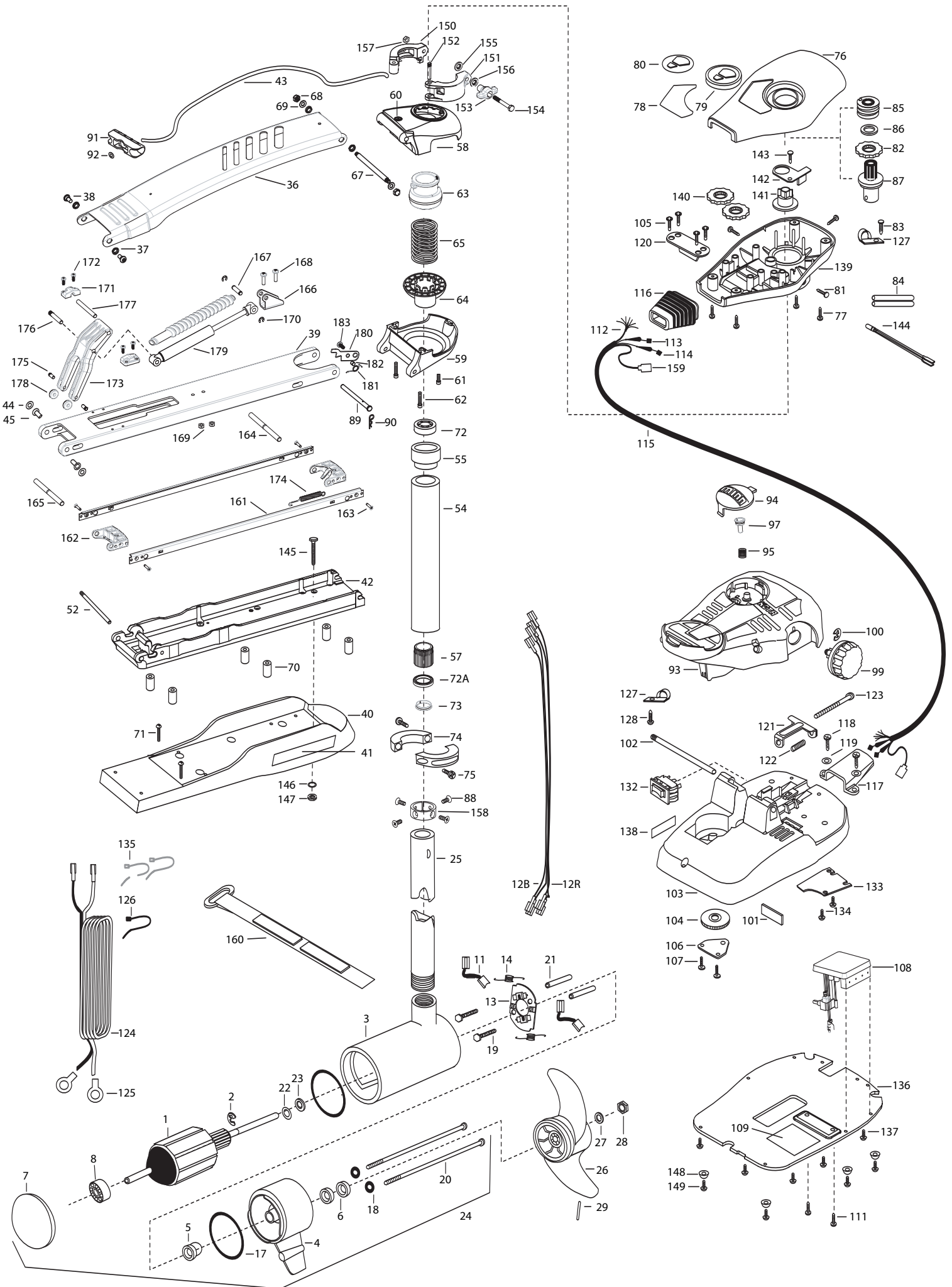
1	2-100-213	ARMATURE ASSEMBLY 24V 4"	59	2771993	BRKT BOTTOM/BEARING FW ASSEMBLY 62	126	2256300	TIE WRAP-5.5 BLACK
2	788-040	RETAINING RING		2991999	BRKT BOTTOM/BEARING FW ASSEMBLY 52	127	2263201	CLAMP WIRE HARNESS MICRO [2.EA]
3	2-200-160	CENTER HOUSING ASSEMBLY 4.0 TXT	60	2772352	EYELET KIT -ROPE	128	2332103	SCREW-6-20 X 3/8 THD SS
	2-200-170	CENTER HOUSING ASSEMBLY 4.0- SONAR	61	2263402	SCREW 1/4-20 X 3/4 ZINC	132	2254031	SWITCH-MOM/OFF/CON
4	2-300-160	BRUSH END HOUSING ASSEMBLY	62	2263404	SCREW-1/4-20X2-1/4 SHCP [2.EA]	133	2266412	SWITCH PLATE, PT PEDAL
5	144-017	BEARING- FLANGE (SERVICE ONLY)	63	2071541	SPRING-SLEEVE UPPER	134	2332103	SCREW-6-20 X 3/8 THD SS [2.EA]
6	880-025	SEAL [2.EA]	64	2071535	SPRING SLEEVE, LOWER	135	2256301	TIE WRAP-5.5 WHITE [2.EA]
7	421-260	PLAIN END HOUSING ASSEMBLY	65	2262712	SPRING, BOWGUARD, FC PAINTED	136	2264511	BOTTOM PLATE, MAXXUM PT
	9421-271 (52") or 9421-270 (62")	PLAIN END HSG ASSY 4.0 SONAR	67	2262604	PIN- THREADED SS	137	2372100	SCREW-8 X 1/2 SS [5.EA]
8	140-010	BALL BEARING	68	2223100	NUT - NYLOC SS [2.EA]	138	2266610	DECAL-ON/OFF SWITCH
11	186-094	BRUSH [2.EA]	69	2261722	WASHER [2.EA]	139	2262535	CONTROL BOX-PLASTIC
12B	640-017	LEADWIRE-BLACK 10 AWG 61 XLP	■	2994832	BAG ASSEMBLY	140	2267800	GEAR-INDICATOR [2.EA]
12R	640-121	LEADWIRE-RED 10 AWG 62 1/2	*70	2261505	SPACER, MOTOR REST [6.EA]	141	2262220	INDICATOR-DRIVE
13	738-040	BRUSH PLATE 4"	*71	2263434	SCREW, 8-18 X 1 PPH SS [2.EA]	142	2261905	BRACKET/INDICATOR
14	975-041	SPRING- TORSION [2.EA]	72	2266000	BEARING BALL-STEEL	143	2301310	SCREW-8-18 X 1/2 SS
17	701-009	O-RING —THRU BOLT [2.EA]	73	2266115	BEARING CONE	144	2264015	LIGHT/INDICATOR
18	701-043	O-RING [2.EA]	74	2261622	COLLAR HALF-PAINTED-2 PER- KIT	■	2994830	BAG ASSEMBLY-MAXXUM
19	830-027	SCREW -SELF THREAD 10-32X2 [2.EA]	75	2263453	SCREW-1/4-20 X 3/4 SHCS SS [2.EA]	*145	2263431	SCREW 1/4-20 X 3.5 PPH [6.EA]
20	830-094	THRU BOLT 12-24X10.31 [2.EA]	76	2260283	CONTROL BOX COVER-MAXXUM	*146	2261713	WASHER-1/4 FLAT S/S [6.EA]
21	973-025	SPACER- BRUSH PLATE [2.EA]	77	2372100	SCREW-8-18 X 5/8 THD [4.EA]	*147	2263103	NUT-1/4-20 NYLOC-JAM [6.EA]
22	990-051	WASHER- STEEL	78	2265641	DECAL COVER, MAXXUM 80	148	2265126	BUMPER [4.EA]
23	990-052	WASHER- NYLATRON		2265648	DECAL COVER, MAXXUM 80-SONAR	149	2263455	SCREW #12 [4.EA]
24	2316233	MOTOR ASSEMBLY 24V 4" VARS 52" TXT	79	2260150	POINTER DISC TRNSLCNT RED	■	2991550	CLAMP COLLAR ASSEMBLY
	2316236	MOTOR ASSEMBLY 24V 4" VARS 62" TXT	80	2265800	DECAL-INDICATOR	150	2071550	CLAMP COLLAR "A"
	2326233	MOTOR ASSEMBLY 24V 4" VARS 52" SONAR	81	2053414	SCREW-#8-32 X 1/2 TRI-LOBE [3.EA]	151	2071555	CLAMP COLLAR "B"
	2326238	MOTOR ASSEMBLY 24V 4" VARS 62" SONAR	82	2267800	GEAR-INDICATOR	152	2072621	PIN-KNURLED
25	2032007	TUBE COMP W/4 HOLE 62"	83	2301310	SCREW-8-18 X 1/2 SS	153	2070120	KNOB-CLAMP COLLAR
	2032006	TUBE COMP W/4 HOLE 52"	84	2355410	SHRINK TUBE-3/8 OD X 2- [2.EA]	154	2073412	SCREW 1/4-28 X 2 3/4" SS
	2032005	TUBE COMP W/4 HOLE 48"	85	2232360	PULLEY-CABLE DRUM	155	2071718	WASHER #10 NYLON RETAINING
■	1378132	PROPELLER KIT	86	2261730	WASHER-NYLON	156	2071716	WASHER - FLAT SS
26	2331160	PROPELLER W/WEDGE 2	87	2996247	PINION/RACE ASSEMBLY	157	2073102	NUT - HEX 1/4 - 28 SS
27	2091701	WASHER-PROP LARGE	88	2223468	SCREW-8-32 X 7/16 ZN PL [4.EA]	158	2071560	SPLIT COLLAR
28	2093101	NUT-PROP NYLOCK SS	89	2262606	PIN- CLEVIS SS	159	2211400	EXTENSION CABLE- SONAR
29	2262658	PIN-DRIVE SS	90	2260800	SPRING CLIP SS	160	2263804	STRAP - VELCRO 30.5"
31	2030710	CONNECTOR BUTT [2.EA]	91	2150400	PULL-GRIP	161	2263615	TIE RAIL LONG [2 EA.]
32	2030317	62" WIRE EXTENSION-18 RED	92	2151700	WASHER-EYE SHAFT .562 OD	162	2262645	LATCH PIN HOLDER [2 EA.]
33	2030316	ONLY WIRE EXTENSION-18 BLACK	93	2790002	FOOT PEDAL/PLUG ASSEMBLY	163	2263456	SCREW #8 - 3/4" BTFH SS [4 EA.]
34	2375400	SHRINK TUBE 1/4ODX1-3/4 [2.EA]	94	2993702	PUSH BUTTON / MAGNET ASSEMBLY	164	2262661	LATCH PIN, GROOVED FRONT SS
■	2991741	MOUNT,BOW ASSEMBLY, w/o BG	95	2302732	SPRING-LOWER PEDAL SS	165	2262663	LATCH PIN, GROOVED REAR SS
			97	2260810	CLIP, REED SWITCH	166	2261990	BRACKET, CYLINDER FRONT
36	2264255	ARM UPPER-FW LONG	99	2260160	KNOB-SPEED CONTROL VAR	167	2262665	PIN, FRONT SHOCK MOUNT
37	2293501	BUSHING, STAINLESS STEEL [4.EA]	100	2263000	E-RING TRU-ARC#5133-43	168	2332104	SCREW 1/4-20 X 5/8" PH SS [2 EA.]
38	2263500	BOLT, SHOULDER MAXXUM [2.EA]	101	2266413	PLATE - TENSION SCREW FTPED.	169	2073100	1/4-20" NUT SS [2 EA.]
39	2264335	ARM-LOWER ASSEMBLY,LG,FW,EXT	102	2260511	PIN-PIVOT A/T PT PDL	170	2263006	E-CLIP [2 EA.]
40	2263913	MOTOR REST LONG MAXXUM	103	2774550	FT PEDAL BASE/PIN ASSEMBLY	171	2263006	BRACKET REAR [2 EA.]
41	2265508	DECAL-MAXXUM,MOTOR REST [2.EA]	104	2262301	PULLEY FOOT PEDAL	172	2223454	SCREW #10-32 X 1/2" PH SS [4 EA.]
42	2773986	BOWPLATE- FW LG MACH/INSERT	105	2223430	SCREW #8X3/4 PPH TYPE 25 SS [4.EA]	173	2261545	YOKE-GAS ASSIST
43	2251601	ROPE 40" MAXXUM MOUNT	106	2266400	COVER-PULLEY STAMPING	174	2262722	SPRING EXTENSION
44	2261708	WASHER-3/8X1/2X.010 SS [2.EA]	107	2301310	SCREW-8-18 X 1/2 SS [2.EA]	175	2262635	PIN ROLLER SS [2 EA.]
45	2236000	BEARING NYLINER -[2.EA]	108	2264052	CONTROL BOARD ASSEMBLY 24V MAX	176	2262667	PIN-KNURLED SS
46	2152610	SPRING-PIN LOCKBAR [2.EA]	109	2365107	INSULATING PAD 2.3 X 3.2	177	2262669	PIN-YOKE PIVOT SS
47	2233600	LOCK BAR- BOW MOUNT	111	2263448	SCREW, 8-32 X 1 [2.EA]	178	2262320	ROLLER YOKE [2 EA.]
48	2233602	LOCK BAR- REAR ZINC	112	2261220	WIRE HARNESS AT & MAX 82.5	179	2268431	GAS ASSIST CYLINDER
49	2152700	SPRING-LOCKBAR CAD.PLT	113	2267500	CABLE ASSEMBLY-RIGHT 5'	180	2262670	LATCH PIN STOP LEVER
50	2262703	SPRING STOP	114	2267510	CABLE ASSEMBLY-LEFT 5'	181	2262723	SPRING, MAXXUM PRO
51	2153604	EYE SHAFT-2LOCKBAR LG-PLTD	115	2265430	CABLE JACKET 5'	182	2301700	SPACER-RELEASE LEVER BRASS
52	2260506	HINGE-PIN HEADLESS ZINC	116	2265110	BOOT-CONTROL BOX	183	2332104	SCREW 1/4-20 X 5/8" SS
			117	2265115	BOOT-FOOT PEDAL BASE	184	2265116	BOOT - SHOCK
■	2772009	TUBE W/BEARING RACE ASSEMBLY 28.5"	118	2372100	SCREW-8-18 X 5/8 THD SS [2.EA]	185	2376312	TIE WRAP [2 EA.]
	2772016	TUBE W/BEARING RACE ASSEMBLY 24"	119	2261714	WASHER-MAXXUM PT PDL [2.EA]			
54	2272071	TUBE OUTER 28.5" (62" model)	120	2261901	BRACKET-CONDUIT AT/MAX			
	2272067	TUBE OUTER 24" (48"-52" models)	121	2263210	BRACKET-CONDUIT ADJUSTMENT			
55	2266260	BEARING RACE	122	2262720	SPRING-CONDUIT AD			
57	2266220	BEARING RACE-STEEL	123	2263466	SCREW-1/4-20 X 2 STL PPH			
■	2991763	BOWGUARD ASSEMBLY-FT CTRL,MAX 62	124	2261233	LEADWIRE VARIABLE			
	2991762	BOWGUARD ASSEMBLY-FT CTRL,MAX 52	125	2020700	TERMINAL RING, 3/8 [2.EA]			
58	2772315	BRACKET BASE TOP/EYELET ASSEMBLY						

For Parts and Service  
Call 1-888-404-1119  
www.mikesreelrepair.com

**MAXXUM PRO 80 and Sonar**  
80 lbs Thrust  
24 volt 56 amps  
52" & 62" SHAFT

for use with 2005 models with serial numbers greater than "WWAF0059606"  
3-year warranty from the date of purchase

For Parts and Service  
Call 1-888-404-1119  
www.mikesreelrepair.com



1	2-100-213	ARMATURE ASSEMBLY 24V 4"	61	2263423	SCREW 5/16-18 X 1 SHCS
2	788-040	RETAINING RING	62	2263425	SCREW 5/16-18 X 2-1/2 SHCS [2.EA]
3	2-200-160	CENTER HOUSING ASSEMBLY 4.0 TXT	63	2071541	SPRING-SLEEVE UPPER
	2-200-170	CENTER HOUSING ASSEMBLY 4.0- SONAR	64	2071535	SPRING-SLEEVE, LOWER
4	2-300-160	BRUSH END HOUSING ASSEMBLY	65	2262712	SPRING, BOWGUARD, FC PAINTED
5	144-017	BEARING- FLANGE (SERVICE ONLY)	67	2262605	PIN- THREADED ZP
6	880-025	SEAL [2.EA]	68	2223100	NUT - NYLOC SS [2.EA]
7	421-260	PLAIN END HOUSING ASSEMBLY	69	2261722	WASHER [2.EA]
	9421-271 (52") or 9421-270 (62")	PLAIN END HSG ASSY 4.0 SONAR	■	2994832	BAG ASSEMBLY
8	140-010	BALL BEARING	*70	2261505	SPACER, MOTOR REST [6.EA]
11	186-094	BRUSH [2.EA]	*71	2263434	SCREW, 8-18 X 1 PPH SS [2.EA]
12B	640-024	LEADWIRE-BLACK 10 AWG 79"	72	2266000	BEARING, BALL-STEEL
12R	640-131	LEADWIRE-RED 10 AWG 80 1/2"	72A	2266116	BEARING, CARTRIDGE
13	738-040	BRUSH PLATE 4"	73	2266001	BEARING, SPLIT RING
14	975-041	SPRING- TORSION [2.EA]	74	2261622	COLLAR HALF-PAINTED-2 PER- KIT
17	701-009	O-RING —THRU BOLT [2.EA]	75	2263453	SCREW-1/4-20 X 3/4 SHCS SS [2.EA]
18	701-043	O-RING [2.EA]	76	2260283	CONTROL BOX COVER-MAXXUM
19	830-027	SCREW -SELF THREAD 10-32X2 [2.EA]	77	2372100	SCREW-8-18 X 5/8 THD [4.EA]
20	830-094	THRU BOLT 12-24X10.31 [2.EA]	78	2265641	DECAL COVER, MAXXUM 80
21	973-025	SPACER- BRUSH PLATE [2.EA]		2265648	DECAL COVER, MAXXUM 80-SONAR
22	990-051	WASHER- STEEL	79	2260150	POINTER DISC TRNSLCNT RED
23	990-052	WASHER- NYLATRON	80	2265800	DECAL-INDICATOR
24	2316237	MOTOR ASSEMBLY 24V 4" VARS 52" TXT	81	2053414	SCREW-#8-32 X 1/2 TRI-LOBE [3.EA]
	2316249	MOTOR ASSEMBLY 24V 4" VARS 62" TXT	82	2267800	GEAR-INDICATOR
	2326233	MOTOR ASSEMBLY 24V 4" VARS 52" SONAR	83	2301310	SCREW-8-18 X 1/2 SS
	2326238	MOTOR ASSEMBLY 24V 4" VARS 62" SONAR	84	2355410	SHRINK TUBE-3/8 OD X 2- [2.EA]
25	2032007	TUBE COMP W/4 HOLE 62"	85	2232360	PULLEY-CABLE DRUM
	2032006	TUBE COMP W/4 HOLE 52"	86	2261730	WASHER-NYLON
	2032005	TUBE COMP W/4 HOLE 48"	87	2996247	PINION/RACE ASSEMBLY
■	1378132	PROPELLER KIT	88	2223468	SCREW-8-32 X 7/16 ZN PL [4.EA]
26	2331160	PROPELLER W.WEDGE 2	89	2262607	PIN- CLEVIS ZP
27	2091701	WASHER-PROP LARGE	90	2260800	SPRING CLIP SS
28	2093101	NUT-PROP NYLOCK SS	91	2150400	PULL-GRIP
29	2262658	PIN-DRIVE SS	92	2151700	WASHER-EYE SHAFT .562 OD
■	2991741	MOUNT,BOW ASSEMBLY, w/o BG	93	2790002	FOOT PEDAL/PLUG ASSEMBLY
			94	2993702	PUSH BUTTON / MAGNET ASSEMBLY
36	2264255	ARM UPPER-FW LONG	95	2302732	SPRING-LOWER PEDAL SS
37	2293501	BUSHING, STAINLESS STEEL [4.EA]	97	2260810	CLIP, REED SWITCH
38	2263500	BOLT, SHOULDER MAXXUM [2.EA]	99	2260160	KNOB-SPEED CONTROL VAR
■	2774335	LOWER ARM ASSEMBLY, LONG, FW	100	2263000	E-RING TRU-ARC#5133-43
39	2264335	ARM-LOWER ASSEMBLY, LG, FW, EXT	101	2266413	PLATE - TENSION SCREW FTPED.
40	2263913	MOTOR REST LONG MAXXUM	102	2260511	PIN-PIVOT A/T PT PDL
41	2265508	DECAL-MAXXUM, MOTOR REST [2.EA]	103	2774550	FT PEDAL BASE/PIN ASSEMBLY
42	2773986	BOWPLATE- FW LG MACH/INSERT	104	2262301	PULLEY- FOOT PEDAL
43	2251601	ROPE 40" MAXXUM MOUNT	105	2223430	SCREW #8X3/4 PPH TYPE 25 SS [4.EA]
44	2261708	WASHER-3/8X1/2X.010 SS [2.EA]	106	2266400	COVER-PULLEY STAMPING
45	2236000	BEARING NYLINER- [2.EA]	107	2301310	SCREW-8-18 X 1/2 SS [2.EA]
46	2152610	SPRING-PIN LOCKBAR [2.EA]	108	2264052	CONTROL BOARD ASSEMBLY 24V MAX
47	2233600	LOCK BAR- BOW MOUNT	109	2365107	INSULATING PAD 2.3 X 3.2
48	2233602	LOCK BAR- REAR ZINC	111	2263455	SCREW, 10-32 X 1/2 [2.EA]
49	2152700	SPRING-LOCKBAR CAD.PLT	112	2261220	WIRE HARNESS AT & MAX 82.5
50	2262703	SPRING STOP	113	2267500	CABLE ASSEMBLY-RIGHT 5'
51	2153604	EYE SHAFT-2LOCKBAR LG-PLTD	114	2267510	CABLE ASSEMBLY-LEFT 5'
52	2260506	HINGE-PIN HEADLESS ZINC	115	2265430	CABLE JACKET 5'
			116	2265110	BOOT-CONTROL BOX
■	2772088	TUBE W/BEARING RACE ASSEMBLY 28.5"	117	2265115	BOOT-FOOT PEDAL BASE
	2772086	TUBE W/BEARING RACE ASSEMBLY 24"	118	2372100	SCREW-8-18 X 5/8 THD SS [2.EA]
54	2272088	TUBE OUTER 28.5" (62" model)	119	2261714	WASHER-MAXXUM PT PDL [2.EA]
	2272086	TUBE OUTER 24" (48"-52" models)	120	2261901	BRACKET-CONDUIT AT/MAX
55	2266260	BEARING RACE	121	2263210	BRACKET-CONDUIT ADJUSTMENT
57	2267307	BUSHING, OUTER TUBE	122	2262720	SPRING-CONDUIT AD
■	2991763	BOWGUARD ASSEMBLY-FT CTRL, MAX 62	123	2263466	SCREW-1/4-20 X 2 STL PPH
	2991762	BOWGUARD ASSEMBLY-FT CTRL, MAX 52	124	2261233	LEADWIRE VARIABLE
58	2772319	BRACKET BASE TOP/EYELET ASSEMBLY	125	2020700	TERMINAL RING, 3/8 [2.EA]
59	2771770	BRKT BOTTOM/BEARING FW ASSEMBLY 62	126	2256300	TIE WRAP-5.5 BLACK
	2991771	BRKT BOTTOM/BEARING FW ASSEMBLY 52	127	2263201	CLAMP WIRE HARNESS MICRO [2.EA]
60	2772352	EYELET KIT -ROPE			

128	2332100	SCREW-6-20 X 3/8 THD SS
132	2254031	SWITCH-MOM/OFF/CON
133	2266412	SWITCH PLATE, PT PEDAL
134	2332103	SCREW-6-20 X 3/8 THD SS [2.EA]
135	2256301	TIE WRAP-5.5 WHITE [2.EA]
136	2264511	BOTTOM PLATE, MAXXUM PT
137	2372100	SCREW-8 X 1/2 SS [5.EA]
138	2266610	DECAL-ON/OFF SWITCH
139	2262535	CONTROL BOX-PLASTIC
140	2267800	GEAR-INDICATOR [2.EA]
141	2262220	INDICATOR-DRIVE
142	2261905	BRACKET/INDICATOR
143	2301310	SCREW-8-18 X 1/2 SS
144	2264015	LIGHT/INDICATOR
■	2994830	BAG ASSEMBLY-MAXXUM
*145	2263431	SCREW 1/4-20 X 3.5 PPH [6.EA]
*146	2261713	WASHER- 1/4 FLAT S/S [6.EA]
*147	2263103	NUT-1/4-20 NYLOCK-JAM [6.EA]
148	2265126	BUMPER [4.EA]
149	2263455	SCREW #12 [4.EA]
■	2991550	CLAMP COLLAR ASSEMBLY
150	2071550	CLAMP COLLAR "A"
151	2071555	CLAMP COLLAR "B"
152	2072621	PIN-KNURLED
153	2070120	KNOB-CLAMP COLLAR
154	2073412	SCREW 1/4-28 X 2 3/4" SS
155	2071718	WASHER #10 NYLON RETAINING
156	2071716	WASHER - FLAT SS
157	2073102	NUT - HEX 1/4 - 28 SS
158	2071560	SPLIT COLLAR
159	2211400	EXTENSION CABLE- SONAR
160	2263804	STRAP - VELCRO 30.5"
161	2263615	TIE RAIL LONG [2 EA.]
162	2262645	LATCH PIN HOLDER [2 EA.]
163	2263456	SCREW #8 - 3/4" BTFH SS [4 EA.]
164	2262661	LATCH PIN, GROOVED FRONT SS
165	2262663	LATCH PIN, GROOVED REAR SS
166	2261990	BRACKET, CYLINDER FRONT
167	2262665	PIN, FRONT SHOCK MOUNT
168	2332104	SCREW 1/4-20 X 5/8" PH SS [2 EA.]
169	2073100	1/4-20" NUT SS [2 EA.]
170	2263006	E-CLIP [2 EA.]
171	2263006	BRACKET REAR [2 EA.]
172	2223454	SCREW #10-32 X 1/2" PH SS [4 EA.]
173	2261545	YOKE-GAS ASSIST
174	2262722	SPRING EXTENSION
175	2262635	PIN ROLLER SS [2 EA.]
176	2262667	PIN-KNURLED SS
177	2262669	PIN-YOKE PIVOT SS
178	2262320	ROLLER YOKE [2 EA.]
179	2998431	CYLINDER/SHOCK BOOT ASSEMBLY
180	2262670	LATCH PIN STOP LEVER
181	2262723	SPRING, MAXXUM PRO
182	2301700	SPACER-RELEASE LEVER BRASS
183	2332104	SCREW 1/4-20 X 5/8" SS

For Parts and Service  
Call 1-888-404-1119  
www.mikesreelrepair.com

For Parts and Service  
Call 1-888-404-1119  
www.mikesreelrepair.com

