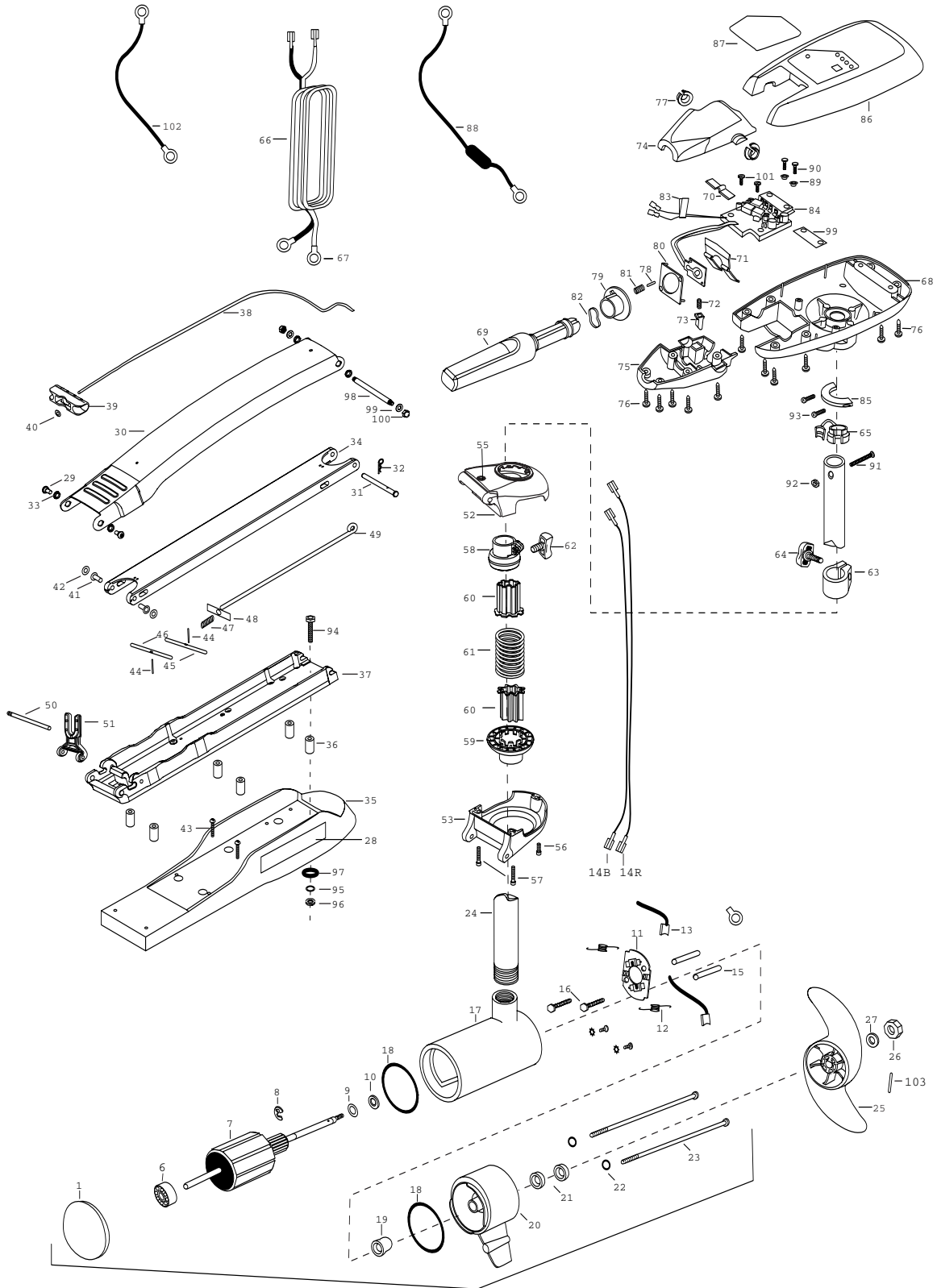


MAXXUM 101/H
101 LBS THRUST
36 VOLT 46 AMPS
52" SHAFT

for use with "WWAF" serial numbers
3-year warranty from the date of purchase

For Parts and Service
Call 1-888-404-1119
www.mikesreelrepair.com



| | | | | | | | | |
|-----|-----------|--|----|---------|------------------------------------|-----|---------|-------------------------------------|
| 1 | 421-260 | PLAIN END HOUSING ASSEMBLY | 37 | 2773987 | BOWPLATE W/INSERT STD FW | 73 | 2303720 | RELEASE BUTTON-HANDLE |
| 6 | 140-010 | BALL BEARING | 38 | 2251601 | ROPE (40"), MAXXUM MOUNT | 74 | 2060409 | HANDLE (TOP HALF)MAXIMIZE |
| 7 | 2-100-215 | ARMATURE ASSEMBLY | 39 | 2150400 | PULL-GRIP | 75 | 2060415 | HANDLE (LOWER HALF) |
| 8 | 788-040 | RETAINING RING | 40 | 2151700 | WASHER-EYE SHAFT(.562 OD) | 76 | 2303412 | SCREW-6-20 X 5/8 SELF TAP [11.EA] |
| 9 | 990-051 | WASHER-THRUST, STEEL | 41 | 2261708 | WASHER-3/8"X1/2"X.010 (S/S) [2.EA] | 77 | 2060005 | BEARING-HANDLE PIVOT [2.EA] |
| 10 | 990-052 | WASHER- NYLATRON | 42 | 2236000 | BEARING NYLINER [2.EA] | 78 | 2302600 | PIN-ACTUATOR |
| 11 | 738-004 | BRUSH PLATE -4" TERMINAL | 43 | 2263434 | SCREW, 8-18 X 1" PPH S/S [2.EA] | 79 | 2302850 | ACTUATOR-CAM |
| 12 | 975-041 | SPRING -TORSION [2.EA] | 44 | 2152610 | SPRING-PIN (LOCKBAR) [2.EA] | 80 | 2302851 | ACTUATOR-FWD/REV |
| 13 | 188-094 | BRUSH W/TERMINAL [2.EA] | 45 | 2233600 | LOCK BAR-(BOW MOUNT) | 81 | 2302740 | SPRING-(ACTUATOR) |
| 14B | 640-018 | BRUSH WIRE-BLK 62" | 46 | 2233602 | LOCK BAR, REAR - ZINC | 82 | 2302741 | SPRING-CAM(ZNC PLTD STEEL) |
| 14R | 640-123 | BRUSH WIRE- RED 64" | 47 | 2152700 | SPRING-(LOCKBAR) CAD.PLTD | 83 | 2305810 | TAG-AIR SWITCH LEADS |
| 15 | 973-025 | SPACER -BRUSH PLATE [2.EA] | 48 | 2262703 | SPRING STOP MAXXUM | 84 | 2264013 | CTRL BOARD ASSEMBLY-RT 101/H |
| 16 | 830-027 | SCREW -SELF TRDED 10-32 X 2" [2.EA] | 49 | 2153602 | EYE SHAFT-2LOCKBAR STD SS | 85 | 2061515 | COLLAR-CTRL BOX (FRS-WTR) |
| 17 | 431-110 | HOUSING ASSEMBLY- CENTER | 50 | 2260506 | HINGE-PIN (HEADLESS)ZINC | 86 | 2260290 | CTRL BOX CVR- BLK |
| 18 | 701-043 | O-RING [2.EA] | 51 | 2293811 | YOKE,MAX MNT-POLYPROPYLENE | 87 | 2265622 | DECAL-COVER, MAX101/H |
| 19 | 144-017 | BEARING -FLANGE (SERVICE ONLY) | ■ | 2994833 | BAG ASSEMBLY MAX STABILIZER KIT | 88 | 2998200 | CIRCUIT BREAKER ASSEMBLY36V-101 |
| 20 | 2-300-160 | BRUSH END HOUSING ASSEMBLY | ■ | 2991760 | BOWGUARD ASSEMBLY-HAND CTRL | 89 | 2301710 | WASHER-INSUL.(TRANSF.BAR) [2.EA] |
| 21 | 880-025 | SEAL [2.EA] | 52 | 2772319 | BRACKET BASE TOP/EYELET ASSEMBLY | 90 | 2372100 | SCREW-8-18 X 5/8 THD [2.EA] |
| 22 | 701-009 | O-RING -THRU BOLT [2.EA] | 53 | 2991770 | BRACKET BOTTOM/BEARING ASSEMBLY | 91 | 2383407 | SCREW-10-24 X 2." PPH ZINC |
| 23 | 830-096 | THRU BOLT 12-24 X 11.56" SS [2.EA] | 55 | 2772352 | EYELET- KIT | 92 | 2383124 | NUT-10-24 NYLOCK ZINC PLT |
| ■ | 2316255 | MTR ASSEMBLY 36V 4" VARS [INCL.1-23] | 56 | 2263423 | SCREW 5/16-18 X 1" SHCS (ZINC) | 93 | 2263434 | SCREW-#8 X 1" PPH TYPE 25 SS [2.EA] |
| 24 | 2032068 | TUBE-CARBON COMPOSITE 52" | 57 | 2263425 | SCREW 5/16-18 X 2 1/2" SCHS [2.EA] | ■ | 2994830 | BAG ASSEMBLY-MAXXUM |
| ■ | 1378132 | PROPELLER KIT | 58 | 2261525 | SPRING-SLEEVE UPPER | *94 | 2263431 | SCREW 1/4-20 X 3.5 PPH [6.EA] |
| 25 | 2331160 | PROPELLER- W/WEDGE 2 | 59 | 2261535 | SPRING SLEEVE, LOWER | *95 | 2261713 | WASHER-1/4 FLAT S/S [6.EA] |
| 26 | 2093101 | NUT-PROP,NYLOC (LARGE) MAX101 | 60 | 2264702 | INSERT-TUBE (2 PER) B.MNT [2.EA] | *96 | 2263103 | NUT-1/4-20 NYLOCK-JAM S/S [6.EA] |
| 27 | 2091701 | WASHER-PROP (LARGE) MAX 101 | 61 | 2262704 | SPRING, BOWGUARD, HAND CT | *97 | 2301720 | WASHER-MOUNTING*RUBBER [6.EA] |
| 28 | 2265514 | DECAL- MAX MOTOR REST [2.EA] | 62 | 2011365 | SCREW-COLLAR/NEW KNOB | 98 | 2262605 | PIN BWGRD UPPER THREADED ZP |
| ■ | 2991840 | MOUNT,BOW ASSEMBLY FW STD W/O BG | 63 | 2031520 | COLLAR-DEPTH (W/O INSERT) | 99 | 2261722 | WASHER FLAT [2.EA] |
| 29 | 2263500 | BOLT, SHOULDER (MAXXUM) [2.ea] | 64 | 2011365 | SCREW-COLLAR/NEW KNOB | 100 | 2223100 | NUT- TENSION 5/16-18 SS [2.EA] |
| 30 | 2264241 | ARM-UPPER FW,STD | 65 | 2052900 | STRAIN RELIEF-C.CORD/SP.C | 101 | 2301310 | SCREW- #8-18X1/2 SS [2.EA] |
| 31 | 2262607 | PIN- CLEVIS ZP MAX BWGRD | 66 | 2090600 | LEADWIRE (10 GA) RINGS | 102 | 2340610 | CONNECTOR CABLE |
| 32 | 2260805 | CLIP-SPRING ZP MAX BWGRD | 67 | 2020700 | TERMINAL RING,3/8" [2.EA] | 103 | 2262658 | DRIVE PIN |
| 33 | 2293501 | BUSHING, STAINLESS STEEL [4.EA] | 68 | 2062592 | CONTROL BOX,FW,.725 BORE | | | |
| 34 | 2994307 | ARM-LOWER ASSEMBLY STD,FW,EXT INCL 38-40, 44-49 | 69 | 2990914 | HANDLE ASSEMBLY W/O U-JOINT | | | |
| 35 | 2263912 | MOTOR REST (STD) FW | 70 | 2302742 | SPRING-DETENT(OFF) | | | |
| 36 | 2261505 | SPACER, MOTOR REST [6.EA] | 71 | 2302743 | SPRING-DETENT,HANDLE-TILT | | | |
| | | | 72 | 2302745 | SPRING-RELEASE BUTTON | | | |

Seal & Oring Kit P/N 2889460

* This item is part of an assembly. This item cannot be sold separately due to machining and /or assembly that is required.

P/N 2274971 REV.A 10-04

For Parts and Service
Call 1-888-404-1119
www.mikesreelrepair.com

