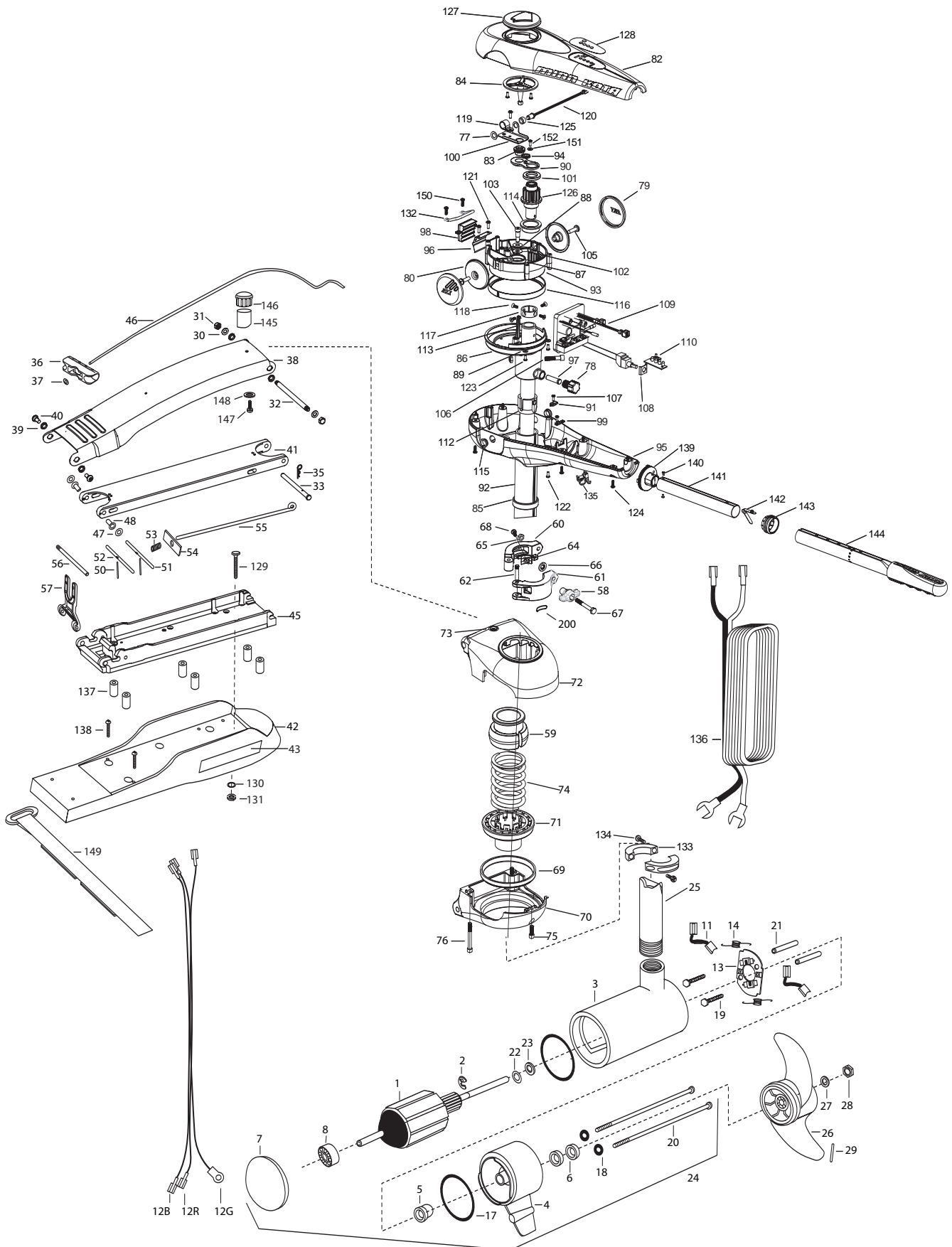


MAXXUM 101/H -3X STEERING
BOWGUARD 360° MOUNT
101 LBS THRUST
36 VOLT 46 AMPS
62" SHAFT

for use with "WWAF" serial numbers
3-year warranty from the date of purchase

For Parts and Service
Call 1-888-404-1119
www.mikesreelrepair.com



1	2-100-215	ARMATURE ASSEMBLY 36V 4 VARS FW 101#	55	2153604	EYE SHAFT-2LOCKBAR LONG-PL	106	2073410	SCREW
2	788-040	RETAINING RING	56	2260506	HINGE-PIN HEADLESS ZINC	107	2073414	SCREW 6-32 PPH [2 EA.]
3	2-200-110	CENTER HOUSING ASSEMBLY 4.0 FW TXT MAX	57	2293811	YOKE,MAX MNT-POLYPROPYLENE	108	2074000	POT CLIP
4	2-300-160	BRUSH END HOUSING ASSEMBLY 4.0 FW TXT	58	2070120	KNOB CLAMP COLLAR	109	2074061	CONTROL BOARD ASSEMBLY
5	144-017	BEARING -FLANGE (SERVICE ONLY)	59	2071541	SPRING SLEEVE UPPPER	110	2074072	BATTERY METER
6	880-025	SEAL [2.EA]	■	2991555	COLLAR CLAMP ASSEMBLY	112	2075100	TENSION SLEEVE
7	421-260	PLAIN END HOUSING ASSEMBLY 4.0	60	2071550	COLLAR CLAMP "A"	113	2076701	KEY - TUBE
8	140-010	BALL BEARING	61	2071555	COLLAR CLAMP "B"	114	2077305	BEARING UPPER
11	188-094	BRUSH 4"W/TERMINAL [2.EA]	62	2072621	PIN KNURLED	115	2077316	BUSHING PIVOT [2 EA.]
12B	640-017	BRUSH WIRE- BLACK 10 AWG 61 XLP	64	2072821	ORIENTATION BLOCK	116	2077320	BEARING - GEAR CARRIER
12R	640-121	BRUSH WIRE- RED 10 AWG 62-1/2	65	2073100	NUT - NYLOC	117	2071560	COLLAR TUBE
13	738-004	BRUSH PLATE - 4" TERMINAL	66	2071718	WASHER #10 NYLON	118	2223468	SCREW 8-32 [4 EA.]
14	975-041	SPRING -TORSION [2.EA]	67	2073413	SCREW 1/4 - 28"HHC	119	2263201	CLAMP WIRE HARNESS
17	701-009	O-RING -THRU BOLT [2.EA]	68	2223454	SCREW 10-32 SS	120	2264015	LIGHT INDICATOR
18	701-043	O-RING (2 REQ'D)	■	2991763	BOWGUARD ASSEMBLY	121	2372100	SCREW 8-18 SS [2 EA.]
19	830-027	SCREW -SELF TREADED 10-32 X 2" [2.EA]	■	2991770	BRACKET/BEARING ASSEMBLY	122	2073416	SCREW 8-32 SS SHCS [2 EA.]
20	830-096	THRU BOLT 12-24 X 11.56" SS [2.EA]	*69	2261531	BEARING	123	2332103	SCREW 6-20 SS [5 EA.]
21	973-025	SPACER -BRUSH PLATE [2.EA]	*70	2262050	BRACKET BASE BOTTOM	124	2012100	SCREW 8-18 X 5/8" [6 EA.]
22	990-051	WASHER-THRUST, STEEL	71	2261535	SPRING SLEEVE	125	2071525	SPACER-INDICATOR LIGHT
23	990-052	WASHER- NYLATRON	72	2772319	BRACKET BASE TOP W/ EYELET	126	2992205	PINION - MAIN
24	2316259	MOTOR ASSEMBLY 36V VARS TXT	73	2262315	EYELET ROPE	127	2998600	INDICATOR ASSEMBLY
25	2072007	TUBE (COMP) HOLE 62"	74	2262712	SPRING BOWGUARD	128	2075623	DECAL MAX 101 W/3X
■	1378132	PROPELLER KIT	75	2263423	SCREW 5/16-18" X 1" SHCS ZINC	■	2994830	BAG ASSEMBLY - MAXXUM VECTOR
26	2331160	PROPELLER (W.WEDGE 2)	76	2263425	SCREW 5/16-18" X 2 1/2" SHCS [2 EA.]	*129	2263431	1/4-20X3.5" PPH [6.EA]
27	2091701	WASHER-PROP (LARGE) MAX 101	77	2013100	SPEED NUT	*130	2261713	WASHER 1/4 FLAT SS [6.EA]
28	2093101	NUT-PROP (LARGE) MAX 101	78	2070105	KNOB-TENSION	*131	2263103	NUT 1/4-20 NYLOC-JAM SS [6.EA]
29	2262658	PROP PIN	79	2070110	PIVOT KNOB [2 EA.]	132	2072815	BRACKET TILT STOP
30	2261722	WASHER FLAT [2.EA]	80	2070117	COVER-PIVOT KNOB [2 EA.]	133	2261622	COLLAR HALF [2 EA.]
31	2223100	NUT- TENSION 5/16-18 SS [2 EA]	82	2070201	COVER 3:1	134	2263453	SCREW 1/4-20 X 1" [2 EA.]
32	2262605	PIN- BWGRD UPPER THREADED	83	2070800	COUPLER SOCKET	135	2052900	STRAIN RELIEF
33	2262607	CLEVIS PIN ZP MAXXUM BWGRD	84	2070810	COUPLER DRIVE	136	2090650	LEADWIRE
35	2260801	SPRING CLIP	85	2071500	LOWER COLLAR SUPPORT	■	2994832	BAG ASSEMBLY-MAXXUM VECTOR
36	2150400	PULL-GRIP	86	2071512	YOKE-GEAR CARRIER	*137	2261505	SPACER, MOTOR REST [6.EA]
37	2151700	WASHER-EYE SHAFT(.562 OD)	87	2071710	WASHER NYLATRON [2 EA.]	*138	2263434	SCREW, 8-18 X 1" PPH SS [2.EA]
■	2991842	MOUNT, BOW ASSEMBLY	88	2071712	WASHER SS	139	2990404	PIVOT HANDLE ASSEMBLY
38	2264246	ARM-UPPER FW, LONG	89	2071714	WASHER FLAT #6 [2 EA.]	140	2072102	SCREW #6 X 1/4" [2 EA.]
39	2293501	BUSHING, STAINLESS STEEL [4.EA]	90	2071900	IDLER PLATE	141	2070425	HANDLE TUBE
40	2263500	BOLT- SHOULDER (MAXXUM) [2.EA]	91	2071905	BRACKET- SENSOR SWITCH	142	2070411	LATCH-BUTTON
41	2994317	ARM-LOWER ASSEMBLY, LONG, FW, EXT	92	2072082	OUTER TUBE 3:1 62"	143	2070010	BEARING
42	2999265	MOTOR REST LONG MAXXUM	93	2072210	GEAR CARRIER	144	2990930A	HANDLE ASSEMBLY-EXT.
43	2265514	DECAL-MAXXUM, MOTOR REST [2.EA]	94	2072215	GEAR- IDLER	■	2994841	STABILIZER / STRAP BAG ASSEMBLY
44	2261505	SPACER, MOTOR REST [6.EA]	95	2072501	CONTROL BOX	145	2268400	SHAFT - SUPPORT
45	2993986	BOWPLATE, LONG, FW-MACH/INSERT	96	2072705	SPRING DETENT	146	2268401	BUMPER-SHAFT
46	2251601	ROPE (40"), MAXXUM MOUNT	97	2072710	SPRING TENSION SLEEVE	147	2266364	SCREW 1/4 -10 X 1" SS
47	2261708	WASHER-3/8X1/2X.010" SS [2.EA]	98	2072810	DETENT BLOCK-TILT	148	2011720	LOCKWASHER
48	2236000	BEARING NYLINER-[2.EA]	99	2072811	DETENT BLOCK-SWITCH	149	2263804	STRAP - HOLD DOWN
50	2152612	SPRING-PIN LOCKBAR [2.EA]	100	2072900	RETAINER COUPLER	150	2332101	SCREW #8-32 X 1/2" SS [2 EA.]
51	2233620	LOCK BAR- BOW MOUNT	101	2073000	RING PRELOAD	151	2071720	#4 WASHER SS
52	2233622	LOCK BAR, REAR - ZINC	102	2073100	HEX NUT - NYLOC	152	2373440	#4 SCREW SS
53	2152700	SPRING-LOCKBAR CAD.PLTD	103	2073400	SCREW 5/16" X 1/2" SHOULDER	200	2075120	URETHANE PAD
54	2262703	SPRING STOP	105	2073408	SCREW [2 EA.]			

Seal & Oring Kit P/N 2889460 * This item is part of an assembly. This item cannot be sold separately due to machining and /or assembly that is required.

P/N 2074975

REV.C 4-05

For Parts and Service
Call 1-888-404-1119
www.mikesreelrepair.com

For Parts and Service
Call 1-888-404-1119
www.mikesreelrepair.com

