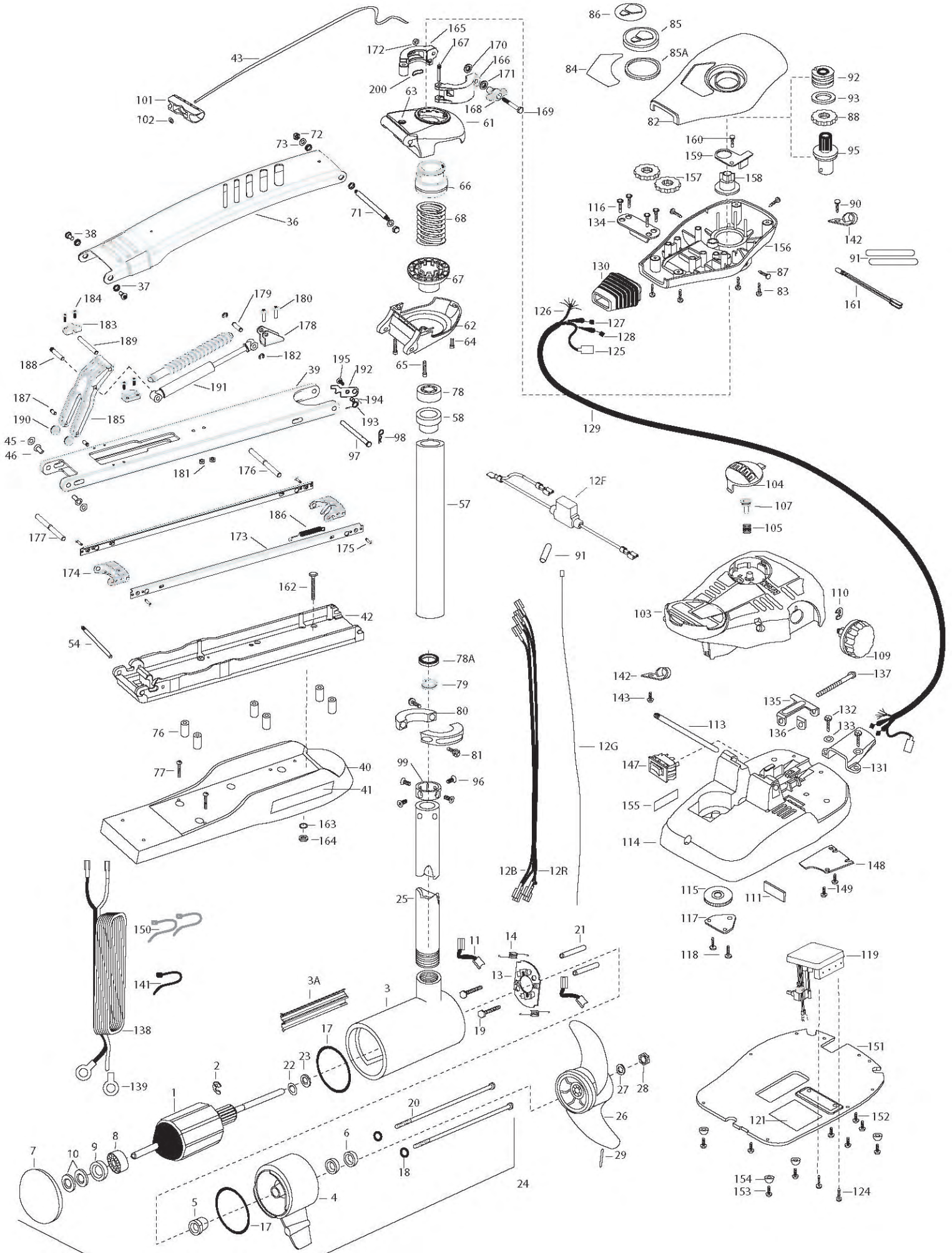


MAXXUM PRO 80
80 LBS THRUST
24 VOLT 56 AMPS
42" SHAFT

for use with "AI" serial numbers
3-year warranty from the date of purchase

For Parts and Service
Call 1-888-404-1119
www.mikesreelrepair.com



| | | | | | | | | |
|-----|-----------|-----------------------------------|------|---------|------------------------------------|------|---------|-----------------------------------|
| 1 | 2-100-214 | ARMATURE ASSEMBLY 24V 4" | 71 | 2262605 | PIN- THREADED ZP | 137 | 2263463 | SCREW-1/4-20 X 2 STL PPH |
| 2 | 788-040 | RETAINING RING | 72 | 2223100 | NUT- NYLOCK [2.EA] | 138 | 2261233 | LEADWIRE VARIABLE |
| 3 | 2-200-160 | HOUSING ASSEMBLY CENTER 4.0 | 73 | 2261722 | WASHER [2.EA] | 139 | 2020700 | TERMINAL RING, 3/8 [2.EA] |
| 3A | 582-013 | CLIP, RETAINING, US2 | ■ | 2994832 | BAG ASSEMBLY | 141 | 2256300 | TIE WRAP-5.5 BLACK |
| 4 | 2-300-160 | BRUSH END HOUSING ASSEMBLY | *76 | 2261505 | SPACER, MOTOR REST [6.EA] | 142 | 2263201 | CLAMP WIRE HARNESS MICRO [2.EA] |
| 5 | 144-017 | BEARING- FLANGE (SERVICE ONLY) | *77 | 2263434 | SCREW, 8-18 X 1 PPH SS [2.EA] | 143 | 2332103 | SCREW-6-20 X 3/8 THD SS |
| 6 | 880-025 | SEAL [2.EA] | 78 | 2266000 | BEARING, BALL-STEEL | 147 | 2254031 | SWITCH-MOM/OFF/COM |
| 7 | 421-276 | PLAIN END HOUSING ASSEMBLY | 78A | 2266116 | BEARING, CARTRIDGE | 148 | 2266412 | SWITCH PLATE, PT PEDAL |
| | 9421-284 | PLAIN END HOUSING ASSEMBLY, US2 | 79 | 2266001 | BEARING, SPLIT RING | 149 | 2332103 | SCREW-6-20 X 3/8 THD SS [2.EA] |
| 8 | 140-010 | BALL BEARING | 80 | 2771617 | COLLAR HALF-ZINC-2 PER- KIT | 150 | 2256301 | TIE WRAP-5.5 WHITE [2.EA] |
| 9 | 990-045 | THRUST SPACER | 81 | 2263452 | SCREW-1/4-20 X 3/4 SHCS SS [2.EA] | 151 | 2264511 | BOTTOM PLATE, MAXXUM PT |
| 10 | 992-010 | SPRING WASHER [2.EA] | 82 | 2260283 | CONTROL BOX COVER-MAXXUM | 152 | 9953104 | SCREW-8 X 1/2 PPH SS [5.EA] |
| 11 | 186-094 | BRUSH [2.EA] | 83 | 2372100 | SCREW-8-18 X 5/8 THD [4.EA] | 153 | 2263455 | SCREW #12 [4.EA] |
| 12B | 640-013 | BRUSH LEAD BLK 10 AWG 51-1/2 | 84 | 2265641 | DECAL COVER, MAXXUM 80 | 154 | 2265126 | BUMPER [4.EA] |
| 12R | 640-117 | BRUSH LEAD RED 10 AWG 53 | | 2265648 | DECAL COVER, MAXXUM 80-SONAR | 155 | 2266610 | DECAL-ON/OFF SWITCH |
| 12G | 640-315 | GROUND WIRE 42" (US MODELS ONLY) | | 2265692 | DECAL COVER, MAXXUM 80 US2 | 156 | 2262535 | CONTROL BOX-PLASTIC AT'S |
| 12F | 2218200 | FUSE HOLDER (US MODELS ONLY) | 85 | 2260150 | POINTER DISC TRNSLCNT RED | 157 | 2267800 | GEAR-INDICATOR [2.EA] |
| 13 | 738-004 | BRUSH PLATE 4" | 85A | 2261733 | WASHER-FOAM, INDICATOR | 158 | 2262220 | INDICATOR-DRIVE |
| 14 | 975-041 | SPRING- TORSION [2.EA] | 86 | 2265800 | DECAL-INDICATOR | 159 | 2261905 | BRACKET/INDICATOR |
| 17 | 701-043 | O-RING [2.EA] | 87 | 2053414 | SCREW-#8-32 X 1/2 TRI-LOBE [3.EA] | 160 | 2301310 | SCREW-8-18 X 1/2 SS |
| 18 | 701-009 | O-RING —THRU BOLT [2.EA] | 88 | 2267800 | GEAR-INDICATOR | 161 | 2264015 | LIGHT/INDICATOR |
| 19 | 830-027 | SCREW -SELF THREAD 10-32X2 [2.EA] | 90 | 2372100 | SCREW-8-18 X 5/8 SS | ■ | 2994830 | BAG ASSEMBLY-MAXXUM |
| 20 | 830-094 | THRU BOLT 12-24X10.31 [2.EA] | 91 | 2355410 | SHRINK TUBE-3/8 OD X 2- [3.EA] | *162 | 2263431 | SCREW 1/4-20 X 3.5 PPH [6.EA] |
| 21 | 973-025 | SPACER- BRUSH PLATE [2.EA] | 92 | 2232360 | PULLEY-CABLE DRUM | *163 | 2261713 | WASHER-1/4 FLAT S/S [6.EA] |
| 22 | 990-051 | WASHER- STEEL | 93 | 2261730 | WASHER-NYLON | *164 | 2263103 | NUT-1/4-20 NYLOCK-JAM [6.EA] |
| 23 | 990-052 | WASHER- NYLATRON | 95 | 2996247 | PINION/RACE ASSEMBLY | ■ | 2991556 | CLAMP COLLAR ASSEMBLY |
| 24 | 2316216 | MOTOR ASSEMBLY 24V 4" VARS | 96 | 2223468 | SCREW-8-32 X 7/16 ZN PL [4.EA] | 165 | 2071550 | CLAMP COLLAR "A" |
| | 2326220 | MOTOR ASSEMBLY 24V 4" VARS- SONAR | 97 | 2262607 | PIN- CLEVIS ZP | 166 | 2071555 | CLAMP COLLAR "B" |
| 25 | 2032003 | TUBE COMP W/4 HOLE 42" | 98 | 2260800 | SPRING CLIP SS | 167 | 2072621 | PIN-KNURLED |
| ■ | 1378132 | PROPELLER KIT | 99 | 2071560 | SPLIT COLLAR | 168 | 2281505 | KNOB-CLAMP COLLAR |
| 26 | 2331160 | PROPELLER W.WEDGE 2 | 101 | 2150400 | PULL-GRIP | 170 | 2071718 | WASHER #10 NYLON RETAINING |
| 27 | 2091701 | WASHER-PROP LARGE | 102 | 2151700 | WASHER-EYE SHAFT .562 OD | 172 | 2073102 | NUT - HEX 1/4 - 28 SS |
| 28 | 2093101 | NUT-PROP NYLOCK SS | 103 | 2994496 | FOOT PEDAL/PLUG ASSEMBLY | 173 | 2263610 | TIE RAIL SHORT [2 EA.] |
| 29 | 2262658 | PIN-DRIVE SS | 104 | 2993705 | PUSH-BUTTON MAGNET ASSEMBLY | 174 | 2262645 | LATCH PIN HOLDER [2 EA.] |
| ■ | 2991739 | MOUNT,BOW ASSEMBLY, FW STD W/BG | 105 | 2302732 | SPRING-LOWER PEDAL SS | 175 | 2263456 | SCREW #8 - 3/4" BTFH SS [4 EA.] |
| 36 | 2264250 | ARM UPPER-FW STD | 107 | 2260810 | CLIP, REED SWITCH | 176 | 2262661 | LATCH PIN, GROOVED FRONT SS |
| 37 | 2293501 | BUSHING, STAINLESS STEEL [4.EA] | 109 | 2280115 | KNOB-SPEED CONTROL VAR | 177 | 2262663 | LATCH PIN, GROOVED REAR SS |
| 38 | 2263500 | BOLT, SHOULDER MAXXUM [2.EA] | 110 | 2263000 | E-RING TRU-ARC#5133-43 | 178 | 2261990 | BRACKET, CYLINDER FRONT |
| ■ | 2774330 | LOWER ARM ASSEMBLY,STD,FW,80# | *111 | 2266413 | PLATE -TENSION SCREW FTPED. | 179 | 2262665 | PIN, FRONT SHOCK MOUNT |
| 39 | 2264330 | ARM-LOWER ASSEMBLY,STD,FW,EXT | 113 | 2260511 | PIN-PIVOT A/T PT PDL | 180 | 2332104 | SCREW 1/4-20 X 5/8" PH SS [2 EA.] |
| 40 | 2263912 | MOTOR REST STD MAXXUM | 114 | 2774550 | FT PEDAL BASE/PIN ASSEMBLY | 181 | 2073100 | 1/4-20" NUT SS [2 EA.] |
| 41 | 2265508 | DECAL-MAXXUM,MOTOR REST [2.EA] | 115 | 2262301 | PULLEY- FOOT PEDAL | 182 | 2263006 | E-CLIP 5/16" SHAFT SS [2 EA.] |
| 42 | 2773987 | BOWPLATE- FW STD MACH/INSERT | 116 | 2223430 | SCREW- 8X3/4 PPH TYPE 25 SS [4.EA] | 183 | 2261995 | BRACKET-REAR [2 EA.] |
| 43 | 2251601 | ROPE 40" MAXXUM MOUNT | 117 | 2266400 | COVER-PULLEY STAMPING | 184 | 2223454 | SCREW #10-32 X 1/2" PH SS [4 EA.] |
| 45 | 2261708 | WASHER-3/8X1/2X.016 [2.EA] | 118 | 2301310 | SCREW-8-18 X 1/2 SS [2.EA] | 185 | 2261545 | YOKE-GAS ASSIST |
| 46 | 2267318 | BEARING NYLINER- [2.EA] | 119 | 2264054 | CONTROL BOARD ASSEMBLY 24-36V MAX | 186 | 2262722 | SPRING EXTENSION |
| 54 | 2260506 | HINGE-PIN HEADLESS ZINC | 121 | 2365107 | INSULATING PAD 2.3 X 3.2 | 187 | 2262635 | PIN ROLLER SS [2 EA.] |
| ■ | 2772085 | TUBE W/BEARING RACE ASSEMBLY 42" | 124 | 2263455 | SCREW, 10-32 X 1/2 [2.EA] | 188 | 2262667 | PIN-KNURLED SS |
| 57 | 2272085 | TUBE -OUTER 21" 4 HOLES [FOR 42"] | 125 | 2211410 | EXTENSION CABLE- US2 | 189 | 2262669 | PIN-YOKE PIVOT SS |
| 58 | 2266260 | BEARING RACE-(565T) | 126 | 2261220 | WIRE HARNESS AT & MAX 82.5 | 190 | 2262320 | ROLLER YOKE [2 EA.] |
| | | | 127 | 2267505 | CABLE ASSEMBLY-RIGHT 5' | 191 | 2998432 | CYLINDER/SHOCK BOOT ASSEMBLY |
| ■ | 2991762 | BOWGUARD ASSEMBLY-FT CTRL,MAX | 128 | 2267515 | CABLE ASSEMBLY-LEFT 5' | 192 | 2262670 | LATCH PIN STOP LEVER |
| 61 | 2772319 | BRACKET BASE TOP/EYELETASSEMBLY | 129 | 2265430 | CABLE JACKET 5' | 193 | 2262723 | SPRING, MAXXUM PRO |
| 62 | 2991771 | BRKT BOTTOM/BEARING FW ASSEMBLY | 130 | 2265110 | BOOT-CONTROL BOX | 194 | 2301700 | SPACER-RELEASE LEVER BRASS |
| 63 | 2262315 | EYELET KIT -ROPE | 131 | 2265115 | BOOT-FOOT PEDAL BASE | 195 | 2332104 | SCREW 1/4-20 X 5/8" SS |
| 64 | 2263423 | SCREW 5/16-18 X 1" SHCS | 132 | 2372100 | SCREW-8-18 X 5/8 THD SS [2.EA] | 200 | 2075120 | URETHANE PAD |
| 65 | 2263425 | SCREW-5-16/18 X 2-1/2 SHCS [2.EA] | 133 | 2261714 | WASHER-MAXXUM PT PDL [2.EA] | | | |
| 66 | 2071541 | SPRING-SLEEVE UPPER | 134 | 2261901 | BRACKET-CONDUIT AT/MAX | | | |
| 67 | 2071535 | SPRING SLEEVE, LOWER | 135 | 2263210 | BRACKET-CONDUIT ADJUSTMENT | | | |
| 68 | 2262712 | SPRING, BOWGUARD, NIK PL | 136 | 2263140 | NYLOCK KEEPER | | | |

2889460 seal & oring kit

For Parts and Service

Call 1-888-404-1119

www.mikesreelrepair.com

* This item is part of an assembly. This item cannot be sold separately due to machining and /or assembly that is required.

P/N 2274949

REV. R

2-08

Max 80 is 24-volts only!!!

OPTIONAL BROWN WIRE FOR SONAR EQUIPPED MOTORS.
SEE BOAT WIRING DIAGRAM
FIL MARRON OPTIONNEL POUR MOTEURS
ÉQUIPÉS DE SONAR. VOYEZ LE SCHÉMA DE CÂBLAGE DU BATEAU.

SPEED ADJUSTMENT KNOB
MOLETTE DE REGLAGE DE LA VITESSE

For Parts and Service
Call 1-888-404-1119
www.mikesreelrepair.com

