

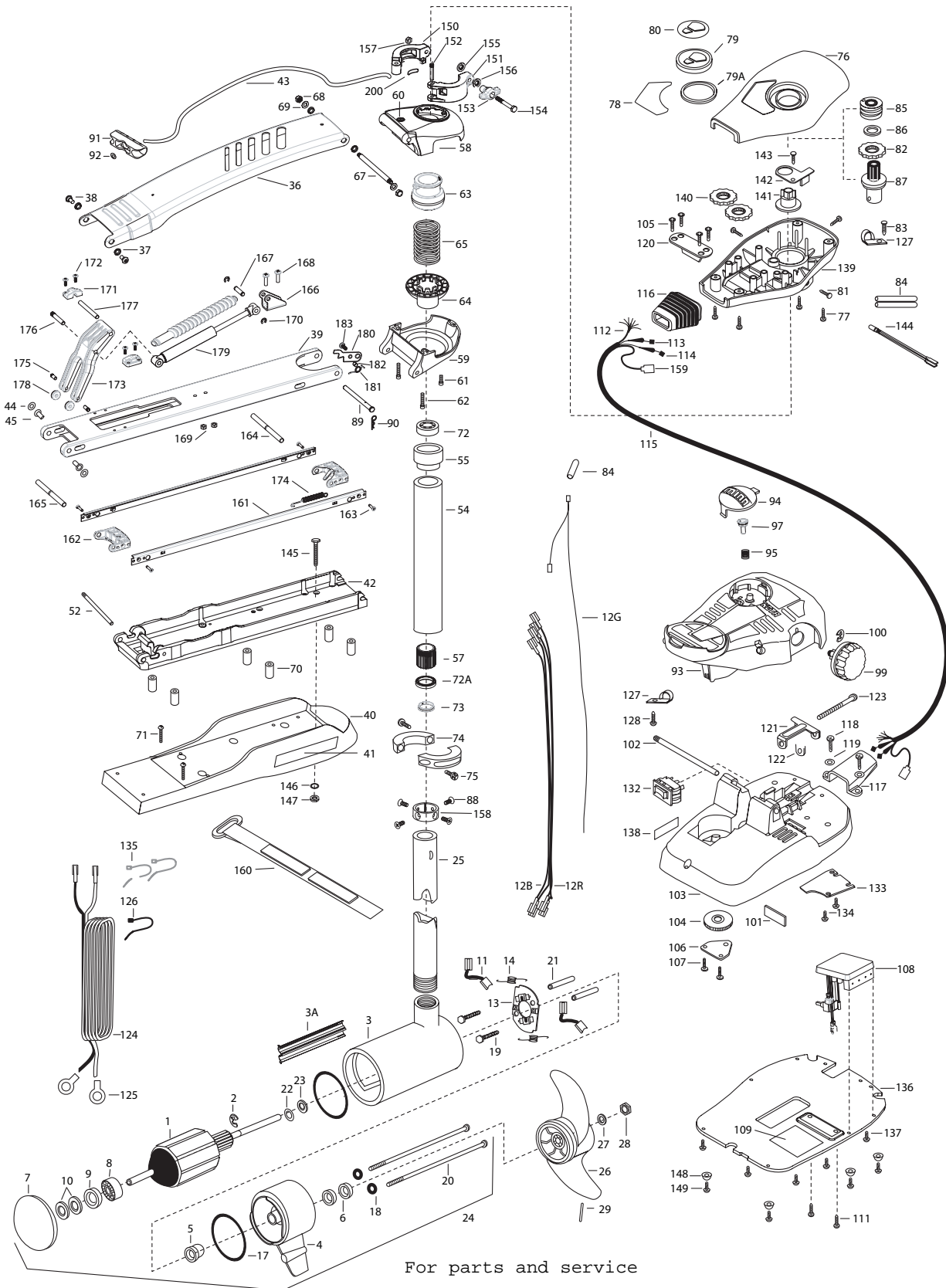
**MAXXUM PRO 101**  
101 lbs Thrust  
36 volt 46 amps  
52" & 62" SHAFT

for use with "AH" serial numbers  
3-year warranty from the date of purchase

For parts and service

call toll free: 1-888-404-1119

www.mikesreelrepair.com



For parts and service

call toll free: 1-888-404-1119

www.mikesreelrepair.com

1	2-100-216	ARMATURE ASSEMBLY 36V 4"	60	2772352	EYELET KIT -ROPE	125	2020700	TERMINAL RING, 3/8 [2.EA]
2	788-040	RETAINING RING	61	2263423	SCREW 5/16-18 X 1 SHCS	126	2256300	TIE WRAP-5.5 BLACK
3	2-200-110	CENTER HOUSING ASSEMBLY 4.0 TXT	62	2263425	SCREW 5/16-18 X 2-1/2 SHCS [2.EA]	127	2263201	CLAMP WIRE HARNESS MICRO [2.EA]
3A	582-014	CLIP, RETAINING, US2	63	2071541	SPRING-SLEEVE UPPER	128	2332103	SCREW-6-20 X 3/8 THD SS
4	2-300-160	BRUSH END HOUSING ASSEMBLY	64	2071535	SPRING SLEEVE, LOWER	132	2254031	SWITCH-MOM/OFF/CON
5	144-017	BEARING- FLANGE (SERVICE ONLY)	65	2262712	SPRING, BOWGUARD, FC PAINTED	133	2266412	SWITCH PLATE, PT PEDAL
6	880-025	SEAL [2.EA]	67	2262605	PIN- THREADED ZP	134	2332103	SCREW-6-20 X 3/8 THD SS [2.EA]
7	421-276	PLAIN END HOUSING ASSEMBLY	68	2223100	NUT - NYLOCK SS [2.EA]	135	2256301	TIE WRAP-5.5 WHITE [2.EA]
	9421-285	PLAIN END HOUSING ASSEMBLY US2 52"	69	9908236	WASHER ZN PL [2.EA]	136	2264511	BOTTOM PLATE, MAXXUM PT
	9421-286	PLAIN END HOUSING ASSEMBLY US2 62"	■	2994832	BAG ASSEMBLY	137	2372100	SCREW-8 X 1/2 SS [5.EA]
8	140-010	BALL BEARING	*70	2261505	SPACER, MOTOR REST [6.EA]	138	2266610	DECAL-ON/OFF SWITCH
9	990-045	THRUST SPACER	*71	2263434	SCREW, 8-18 X 1 PPH SS [2.EA]	139	2262535	CONTROL BOX-PLASTIC
10	992-010	SPRING WASHER [2.EA]	72	2266000	BEARING, BALL-STEEL	140	2267800	GEAR-INDICATOR [2.EA]
11	186-094	BRUSH [2.EA]	72A	2266116	BEARING, CARTRIDGE	141	2262220	INDICATOR-DRIVE
12B	640-024	LEADWIRE-BLACK 10 AWG 79"	73	2266001	BEARING, SPLIT RING	142	2261905	BRACKET/INDICATOR
12R	640-131	LEADWIRE-RED 10 AWG 80 1/2"	74	2261622	COLLAR HALF-PAINTED-2 PER- KIT	143	2301310	SCREW-8-18 X 1/2 SS
12G	640-306	GROUND WIRE 52"	75	2263453	SCREW-1/4-20 X 3/4 SHCS SS [2.EA]	144	2264015	LIGHT/INDICATOR
	640-307	GROUND WIRE 62"	76	2260283	CONTROL BOX COVER-MAXXUM	■	2994830	BAG ASSEMBLY-MAXXUM
13	738-040	BRUSH PLATE 4"	77	2372100	SCREW-8-18 X 5/8 THD [4.EA]	*145	2263431	SCREW 1/4-20 X 3.5 PPH [6.EA]
14	975-041	SPRING- TORSION [2.EA]	78	2265642	DECAL COVER, MAXXUM 101	*146	2261713	WASHER-1/4 FLAT S/S [6.EA]
17	701-009	O-RING —THRU BOLT [2.EA]		2265649	DECAL COVER, MAXXUM 101-SONAR	*147	2263103	NUT-1/4-20 NYLOCK-JAM [6.EA]
18	701-043	O-RING [2.EA]		2265693	DECAL COVER, MAXXUM 101 US2	148	2265126	BUMPER [4.EA]
19	830-027	SCREW -SELF THREAD 10-32X2 [2.EA]	79	2260150	POINTER DISC TRNSLCNT RED	149	2263455	SCREW #12 [4.EA]
20	830-094	THRU BOLT 12-24X10.31 [2.EA]	79A	2261733	WASHER-FOAM, INDICATOR	■	2991550	CLAMP COLLAR ASSEMBLY
21	973-025	SPACER- BRUSH PLATE [2.EA]	80	2265800	DECAL-INDICATOR	150	2071550	CLAMP COLLAR "A"
22	990-051	WASHER- STEEL	81	2053414	SCREW-#8-32 X 1/2 TRI-LOBE [3.EA]	151	2071555	CLAMP COLLAR "B"
23	990-052	WASHER- NYLATRON	82	2267800	GEAR-INDICATOR	152	2072621	PIN-KNURLED
24	2316285	MOTOR ASSEMBLY 36V 4" VARS (52")	83	2301310	SCREW-8-18 X 1/2 SS	153	2070120	KNOB-CLAMP COLLAR
	2316289	MOTOR ASSEMBLY 36V VARS TXT (62")	84	2355410	SHRINK TUBE-3/8 OD X 2- [3.EA]	154	2073412	SCREW 1/4-28 X 2 3/4" SS
	2326281	MOTOR ASSEMBLY 36V 4" VARS 52" SONAR	85	2232360	PULLEY-CABLE DRUM	155	2071718	WASHER #10 NYLON RETAINING
	2326282	MOTOR ASSEMBLY 36V 4" VARS 62" SONAR	86	2261730	WASHER-NYLON	156	2071716	WASHER - FLAT SS
25	2032007	TUBE COMP W/4 HOLE 62"	87	2996247	PINION/RACE ASSEMBLY	157	2073102	NUT - HEX 1/4 - 28 SS
	2032006	TUBE COMP W/4 HOLE 52"	88	2223468	SCREW-8-32 X 7/16 ZN PL [4.EA]	158	2071560	SPLIT COLLAR
■	1378132	PROPELLER KIT	89	2262607	PIN- CLEVIS ZP	159	2211410	EXTENSION CABLE- US2
26	2331160	PROPELLER W.WEDGE 2	90	2260800	SPRING CLIP SS	160	2263804	STRAP - VELCRO 30.5"
27	2091701	WASHER-PROP LARGE	91	2150400	PULL-GRIP	161	2263615	TIE RAIL LONG [2 EA.]
28	2093101	NUT-PROP NYLOCK SS	92	2151700	WASHER-EYE SHAFT .562 OD	162	2262645	LATCH PIN HOLDER [2 EA.]
29	2262658	PIN-DRIVE SS	93	2790002	FOOT PEDAL/PLUG ASSEMBLY	163	2263456	SCREW #8 - 3/4" BTFH SS [4 EA.]
■	2991742	MOUNT,BOW ASSEMBLY, FW 62"	94	2993702	PUSH BUTTON / MAGNET ASSEMBLY	164	2262661	LATCH PIN, GROOVED FRONT SS
	2991741	MOUNT,BOW ASSEMBLY, FW 52"	95	2302732	SPRING-LOWER PEDAL SS	165	2262663	LATCH PIN, GROOVED REAR SS
36	2264255	ARM UPPER-FW LONG	97	2260810	CLIP, REED SWITCH	166	2261990	BRACKET, CYLINDER FRONT
37	2293501	BUSHING, STAINLESS STEEL [4.EA]	99	2260160	KNOB-SPEED CONTROL VAR	167	2262665	PIN, FRONT SHOCK MOUNT
38	2263500	BOLT, SHOULDER MAXXUM [2.EA]	100	2263000	E-RING TRU-ARC#5133-43	168	2332104	SCREW 1/4-20 X 5/8" PH SS [2 EA.]
■	2774335	LOWER ARM ASSEMBLY,LONG,FW,101#	101	2266413	PLATE -TENSION SCREW FTPED.	169	2073100	1/4-20" NUT SS [2 EA.]
39	2264335	ARM-LOWER ASSEMBLY,LG,FW,EXT	102	2260511	PIN-PIVOT A/T PT PDL	170	2263006	E-CLIP 5/16" SHAFT SS [2 EA.]
40	2263913	MOTOR REST LONG MAXXUM	103	2774550	FT PEDAL BASE/PIN ASSEMBLY	171	2261995	BRACKET REAR [2 EA.]
41	2265508	DECAL-MAXXUM,MOTOR REST [2.EA]	104	2262301	PULLEY- FOOT PEDAL	172	2223454	SCREW #10-32 X 1/2" PH SS [4 EA.]
42	2773986	BOWPLATE- FW LG MACH/INSERT	105	2223430	SCREW #8X3/4 PPH TYPE 25 SS [4.EA]	173	2261545	YOKE-GAS ASSIST
43	2251601	ROPE 40" MAXXUM MOUNT	106	2266400	COVER-PULLEY STAMPING	174	2262722	SPRING EXTENSION
44	2261708	WASHER-3/8X1/2X.010 SS [2.EA]	107	2301310	SCREW-8-18 X 1/2 SS [2.EA]	175	2262635	PIN ROLLER SS [2 EA.]
45	2267318	BEARING NYLINER- [2.EA]	108	2264054	CONTROL BOARD ASSEMBLY 24V MAX	176	2262667	PIN-KNURLED SS
46	2152610	SPRING-PIN LOCKBAR [2.EA]	109	2365107	INSULATING PAD 2.3 X 3.2	177	2262669	PIN-YOKE PIVOT SS
47	2233600	LOCK BAR- BOW MOUNT	111	2263455	SCREW, 10-32 X 1/2 [2.EA]	178	2262320	ROLLER YOKE [2 EA.]
48	2233602	LOCK BAR- REAR ZINC	112	2261220	WIRE HARNESS AT & MAX 82.5	179	2998431	CYLINDER/SHOCK BOOT ASSEMBLY
49	2152700	SPRING-LOCKBAR CAD.PLT	113	2267505	CABLE ASSEMBLY-RIGHT 5'	180	2262670	LATCH PIN STOP LEVER
50	2262703	SPRING STOP	114	2267515	CABLE ASSEMBLY-LEFT 5'	181	2262723	SPRING, MAXXUM PRO
51	2153604	EYE SHAFT-2LOCKBAR LG-PLTD	115	2265430	CABLE JACKET 5'	182	2301700	SPACER-RELEASE LEVER BRASS
52	2260506	HINGE-PIN HEADLESS ZINC	116	2265110	BOOT-CONTROL BOX	183	2332104	SCREW 1/4-20 X 5/8" SS
■	2772088	TUBE W/BEARING RACE ASSEMBLY 28.5"	117	2265115	BOOT-FOOT PEDAL BASE	200	2075120	URETHANE PAD
	2772086	TUBE W/BEARING RACE ASSEMBLY 24"	118	2372100	SCREW-8-18 X 5/8 THD SS [2.EA]			
54	2272088	TUBE OUTER 28.5" 62"	119	2261714	WASHER-MAXXUM PT PDL [2.EA]			
	2272086	TUBE OUTER 24" 48"-52"	120	2261901	BRACKET-CONDUIT AT/MAX			
55	2266260	BEARING RACE-(565T)	121	2263210	BRACKET-CONDUIT ADJUSTMENT			
57	2267307	BUSHING, OUTER TUBE	122	2263104	NYLOCK KEEPER			
■	2991763	BOWGUARD ASSEMBLY MAX	123	2263466	SCREW-1/4-20 X 2 STL PPH			
58	2772319	BRACKET BASE TOP/EYELET ASSEMBLY	124	2261233	LEADWIRE VARIABLE			
59	2991770	BRKT BOTTOM/BEARING FW ASSEMBLY 62						

# Max Pro 101 is 36-volt!

OPTIONAL BROWN WIRE FOR SONAR EQUIPPED MOTORS.  
SEE BOAT WIRING DIAGRAM  
FIL MARRON OPTIONNEL POUR MOTEURS  
ÉQUIPÉS DE SONAR. VOYEZ LE SCHÉMA DE CÂBLAGE DU BATEAU.

SPEED ADJUSTMENT KNOB  
MOLETTE DE REGLAGE DE LA VITESSE

For parts and service

call toll free: 1-888-404-1119

[www.mikesreelrepair.com](http://www.mikesreelrepair.com)

