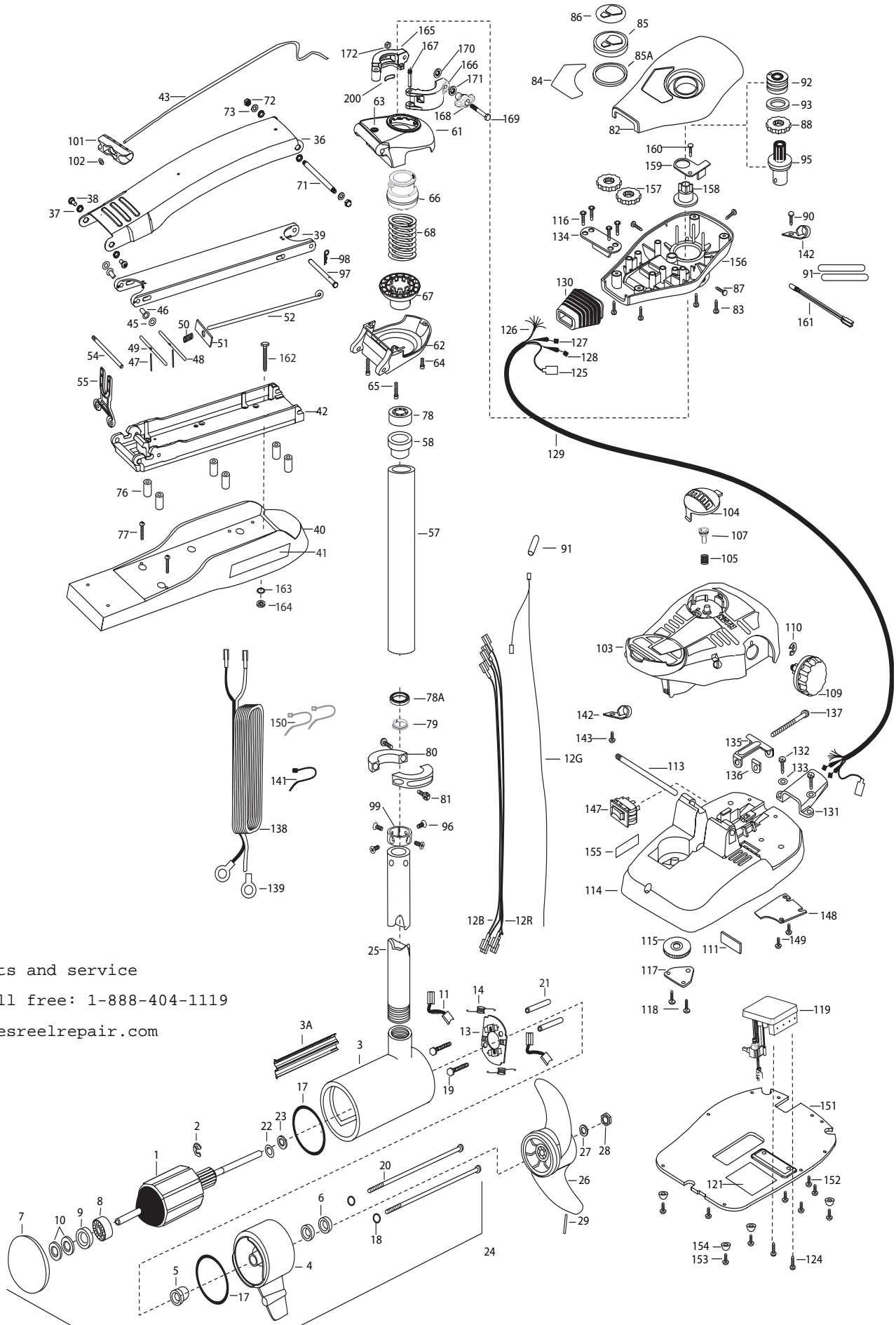


MAXXUM 80
80 LBS THRUST
24 VOLT 56 AMPS
42" OR 36" SHAFT

for use with "AH" serial numbers
3-year warranty from the date of purchase

For parts and service
call toll free: 1-888-404-1119
www.mikesreelrepair.com



For parts and service
call toll free: 1-888-404-1119
www.mikesreelrepair.com

1	2-100-214	ARMATURE ASSEMBLY 24V 4"	2272087	TUBE -OUTER 18" 4 HOLES [FOR 36"]	119	2344054	CONTROL BOARD ASSY 24-36V MAX
2	788-040	RETAINING RING	58 2266260	BEARING RACE-(565T)	121	2365107	INSULATING PAD 2.3 X 3.2
3	2-200-160	HOUSING ASSEMBLY CENTER 4.0			124	2263455	SCREW, 10-32 X 1/2 [2.EA]
3A	582-013	CLIP, RETAINING, US2	■ 2991762	BOWGUARD ASSEMBLY-FT CTRL,MAX	125	2211410	EXTENSION CABLE US2
4	2-300-160	BRUSH END HOUSING ASSEMBLY	61 2772319	BRACKET BASE TOP/EYELETASSEMBLY	126	2261220	WIRE HARNESS AT & MAX 82.5
5	144-017	BEARING- FLANGE (SERVICE ONLY)	62 2991771	BRKT BOTTOM/BEARING FW ASSEMBLY	127	2267505	CABLE ASSEMBLY-RIGHT 5'
6	880-025	SEAL [2.EA]	63 2262315	EYELET KIT -ROPE	128	2267515	CABLE ASSEMBLY-LEFT 5'
7	421-276	PLAIN END HOUSING ASSEMBLY	64 2263423	SCREW 5/16-18 X 1" SHCS ZINC	129	2265430	CABLE JACKET 5'
	9421-284	PLAIN END HOUSING ASSEMBLY 4.0 US2	65 2263425	SCREW 5/15-18 X 2-1/2" SHCS [2.EA]	130	2265110	BOOT-CONTROL BOX
8	140-010	BALL BEARING	66 2071541	SPRING-SLEEVE UPPER	131	2265115	BOOT-FOOT PEDAL BASE
9	990-045	THRUST SPACER	67 2071535	SPRING SLEEVE, LOWER	132	2372100	SCREW-8-18 X 5/8 THD SS [2.EA]
10	992-010	SPRING WASHER [2.EA]	68 2262712	SPRING, BOWGUARD, NIK PL	133	2261714	WASHER-MAXXUM PT PDL [2.EA]
11	186-094	BRUSH [2.EA]	71 2262605	PIN- THREADED	134	2261901	BRACKET-CONDUIT AT/MAX
12B	640-013	BRUSH LEAD BLK 10 AWG 51-1/2	72 2223100	NUT- NYLOC [2.EA]	135	2263210	BRACKET-CONDUIT ADJUSTMENT
12R	640-117	BRUSH LEAD RED 10 AWG 53	73 9908236	WASHER [2.EA]	136	2263401	NYLOCK KEEPER
12G	650-305	GROUND WIRE 42"	■ 2994832	BAG ASSEMBLY	137	2263463	SCREW-1/4-20 X 2 STL PPH
13	738-004	BRUSH PLATE 4"	*76 2261505	SPACER, MOTOR REST [6.EA]	138	2261233	LEADWIRE VARIABLE
14	975-041	SPRING- TORSION [2.EA]	*77 2263434	SCREW, 8-18 X 1 PPH SS [2.EA]	139	2020700	TERMINAL RING, 3/8 [2.EA]
17	701-043	O-RING [2.EA]	78 2266000	BEARING, BALL-STEEL	141	2256300	TIE WRAP-5.5 BLACK
18	701-009	O-RING —THRU BOLT [2.EA]	78A 2266116	BEARING, CARTRIDGE	142	2263201	CLAMP WIRE HARNESS MICRO [2.EA]
19	830-027	SCREW -SELF THREAD 10-32X2 [2.EA]	79 2266001	BEARING, SPLIT RING	143	2332103	SCREW-6-20 X 3/8 THD SS
20	830-094	THRU BOLT 12-24X10.31 [2.EA]	80 2771617	COLLAR HALF-ZINC-2 PER- KIT	147	2254031	SWITCH-MOM/OFF/COM
21	973-025	SPACER- BRUSH PLATE [2.EA]	81 2263452	SCREW-1/4-20 X 3/4 SHCS SS [2.EA]	148	2266412	SWITCH PLATE, PT PEDAL
22	990-051	WASHER- STEEL	82 2260283	CONTROL BOX COVER-MAXXUM	149	2332103	SCREW-6-20 X 3/8 THD SS [2.EA]
23	990-052	WASHER- NYLATRON	83 2372100	SCREW-8-18 X 5/8 THD [4.EA]	150	2256301	TIE WRAP-5.5 WHITE [2.EA]
24	2316216	MOTOR ASSEMBLY 24V 4" VARS	84 2265644	DECAL COVER, MAXXUM 80	151	2264511	BOTTOM PLATE, MAXXUM PT
	2326212	MOTOR ASSEMBLY 24V 4" VARS- SONAR	2265694	DECAL COVER, MAXXUM 80 US2	152	9953104	SCREW-8 X 1/2 PPH SS [5.EA]
25	2032003	TUBE COMP W/4 HOLE 42"	85 2260150	POINTER DISC TRNSLCNT RED	153	2263455	SCREW #12 [4.EA]
	2032001	TUBE COMP W/4 HOLE 36"	85A 2261733	WASHER-FOAM, INDICATOR	154	2265126	BUMPER [4.EA]
	■ 1378132	PROPELLER KIT	86 2265800	DECAL-INDICATOR	155	2266610	DECAL-ON/OFF SWITCH
26	2331160	PROPELLER W.WEDGE 2	87 2053414	SCREW-#8-32 X 1/2 TRI-LOBE [3.EA]	156	2262535	CONTROL BOX-PLASTIC AT'S
27	2091701	WASHER-PROP LARGE	88 2267800	GEAR-INDICATOR	157	2267800	GEAR-INDICATOR [2.EA]
28	2093101	NUT-PROP NYLOCK SS	90 2301310	SCREW-8-18 X 1/2 SS	158	2262220	INDICATOR-DRIVE
29	2262658	PIN-DRIVE SS	91 2355410	SHRINK TUBE-3/8 OD X 2- [3.EA]	159	2261905	BRACKET/INDICATOR
	■ 2991840	MOUNT,BOW ASSY, FW STD, W/O BGRD	92 2232360	PULLEY-CABLE DRUM	160	2301310	SCREW-8-18 X 1/2 SS
36	2264241	ARM UPPER-FW STD	93 2261730	WASHER-NYLON	161	2264015	LIGHT/INDICATOR
37	2293501	BUSHING, STAINLESS STEEL [4.EA]	95 2996247	PINION/RACE ASSEMBLY	■ 2994830		BAG ASSEMBLY-MAXXUM
38	2263500	BOLT, SHOULDER MAXXUM [2.EA]	96 2223468	SCREW-8-32 X 7/16 ZN PL [4.EA]	*162	2263431	SCREW 1/4-20 X 3.5 PPH [6.EA]
39	2774315	ARM-LOWER ASSEMBLY,STD,FW,EXT	97 2262607	PIN- CLEVIS ZN	*163	2261713	WASHER-1/4 FLAT S/S [6.EA]
40	2263912	MOTOR REST STD MAXXUM	98 2260805	SPRING CLIP ZN	*164	2263103	NUT-1/4-20 NYLOCK-JAM [6.EA]
41	2265514	DECAL-MAXXUM.MOTOR REST [2.EA]	99 2071560	SPLIT COLLAR	■ 2991550		CLAMP COLLAR ASSEMBLY
42	2773987	BOWPLATE- FW STD MACH/INSERT	101 2150400	PULL-GRIP	165	2071550	CLAMP COLLAR "A"
43	2251601	ROPE 40" MAXXUM MOUNT	102 2151700	WASHER-EYE SHAFT .562 OD	166	2071555	CLAMP COLLAR "B"
45	2261708	WASHER-3/8X1/2X.016 [2.EA]	103 2790002	FOOT PEDAL/PLUG ASSEMBLY	167	2072621	PIN-KNURLED
46	2267318	BEARING NYLINER- [2.EA]	104 2993702	PUSH-BUTTON MAGNET ASSEMBLY	168	2070120	KNOB-CLAMP COLLAR
47	2152610	SPRING-PIN LOCKBAR [2.EA]	105 2302732	SPRING-LOWER PEDAL SS	169	2073412	SCREW 1/4-28 X 2 3/4" SS
48	2233600	LOCK BAR- BOW MOUNT	107 2260810	CLIP, REED SWITCH	170	2071718	WASHER #10 NYLON RETAINING
49	2233602	LOCK BAR- REAR ZINC	109 2260160	KNOB-SPEED CONTROL VAR	171	2071716	WASHER - FLAT SS
50	2152700	SPRING-LOCKBAR CAD.PLT	110 2263000	E-RING TRU-ARC#5133-43	172	2073102	NUT - HEX 1/4 - 28 SS
51	2262703	SPRING STOP	*111 2266413	PLATE -TENSION SCREW FTPED.	200	2075120	URETHANE PAD
52	2153602	EYE SHAFT-2LOCKBAR STD-PLTD	113 2260511	PIN-PIVOT A/T PT PDL			
54	2260506	HINGE-PIN HEADLESS ZINC	114 2774550	FT PEDAL BASE/PIN ASSEMBLY			
55	2293811	YOKE,MAX MNT-POLYPROPYLENE	115 2262301	PULLEY- FOOT PEDAL			
	■ 2772085	TUBE W/BEARING RACE ASSEMBLY 42"	116 2223430	SCREW- 8X3/4 PPH TYPE 25 SS [4.EA]			
	2772087	TUBE W/BEARING RACE ASSEMBLY 36"	117 2266400	COVER-PULLEY STAMPING			
57	2272085	TUBE -OUTER 21" 4 HOLES [FOR 42"]	118 2301310	SCREW-8-18 X 1/2 SS [2.EA]			

Seal & O-Ring Kit is p/n 2889460

* This item is part of an assembly. This item cannot be sold separately due to machining and /or assembly that is required. P/N 2274963 REV. M 11-06

For parts and service

call toll free: 1-888-404-1119

www.mikesreelrepair.com

Max 80 is 24-volt!

OPTIONAL BROWN WIRE FOR SONAR EQUIPPED MOTORS.
SEE BOAT WIRING DIAGRAM
FIL MARRON OPTIONNEL POUR MOTEURS
ÉQUIPÉS DE SONAR. VOYEZ LE SCHÉMA DE CÂBLAGE DU BATEAU.

SPEED ADJUSTMENT KNOB
MOLETTE DE REGLAGE DE LA VITESSE

For parts and service

call toll free: 1-888-404-1119

www.mikesreelrepair.com

