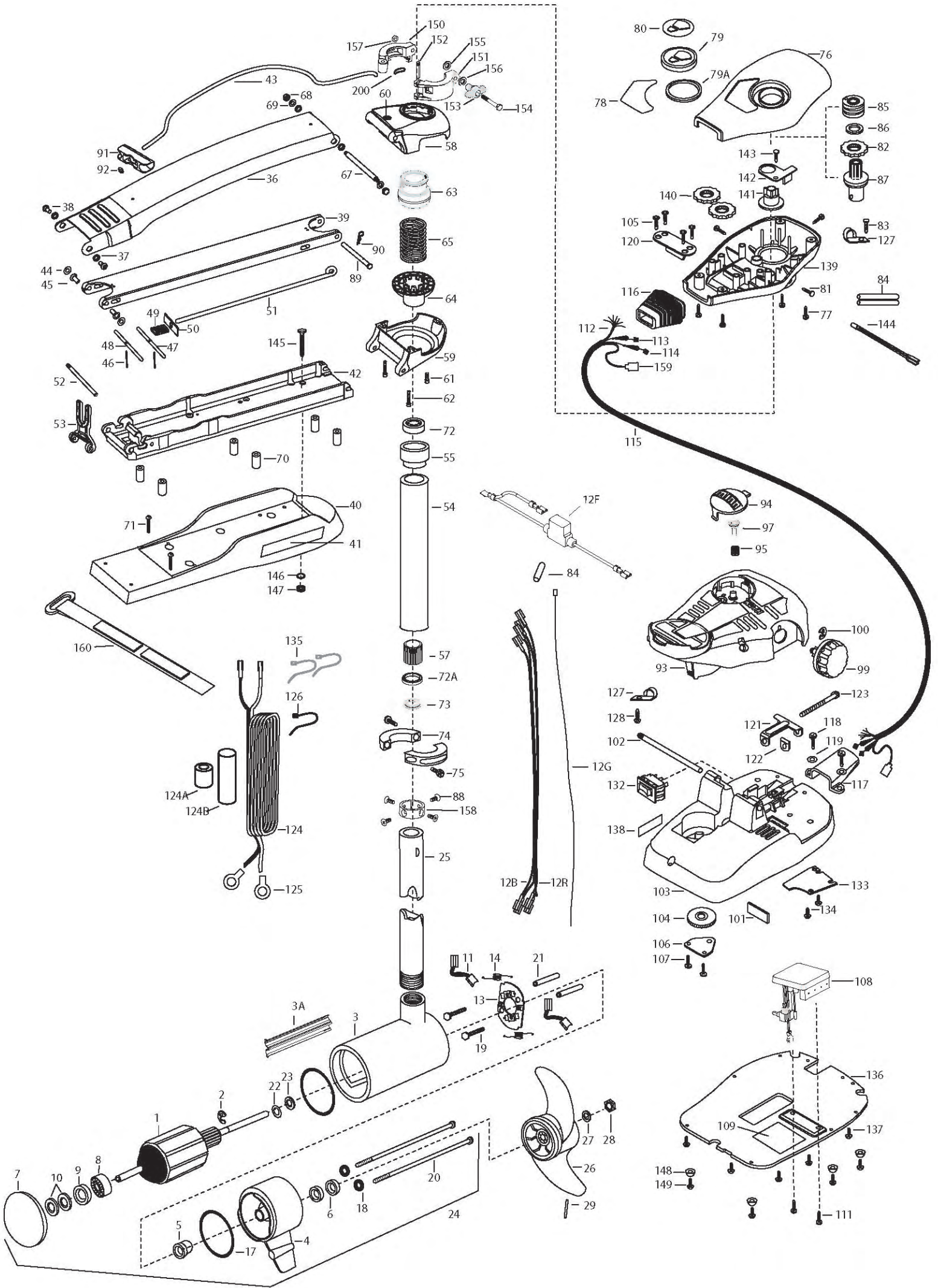


MAXXUM 80
80 lbs Thrust
24 VOLT 56 AMPS
48", 52" & 62" SHAFT

for use with "AI" serial numbers
3-year warranty from the date of purchase

For Parts and Service
Call 1-888-404-1119
www.mikesreelrepair.com



2	788-040	RETAINING RING
3	431-160	CENTER HOUSING ASSEMBLY 4.0 TXT
3A	582-013	CLIP, RETAINING, US2
4	2-300-160	BRUSH END HOUSING ASSEMBLY
5	144-017	BEARING- FLANGE (SERVICE ONLY)
6	880-025	SEAL [2.EA]
7	421-276	PLAIN END HOUSING ASSEMBLY
	9421-284	PLAIN END HOUSING ASSEMBLY US2 42"
	9421-285	PLAIN END HOUSING ASSEMBLY US2 52"
	9421-286	PLAIN END HOUSING ASSEMBLY US2 62"
8	140-010	BALL BEARING
9	990-045	THRUST WASHER
10	992-010	SPRING WASHER [2.EA]
11	186-094	BRUSH [2.EA]
12B	640-024	LEADWIRE-BLACK 10 AWG 79"
12R	640-131	LEADWIRE-RED 10 AWG 80 1/2"
12G	640-315	GROUND WIRE 42" (US MOTORS ONLY)
	640-316	GROUND WIRE 52" (US MOTORS ONLY)
	640-317	GROUND WIRE 62" (US MOTORS ONLY)
12F	2218200	FUSE HOLDER (US MOTORS ONLY)
13	738-040	BRUSH PLATE 4"
14	975-041	SPRING- TORSION [2.EA]
17	701-009	O-RING —THRU BOLT [2.EA]
18	701-043	O-RING [2.EA]
19	830-027	SCREW -SELF THREAD 10-32X2 [2.EA]
20	830-094	THRU BOLT 12-24X10.31 [2.EA]
21	973-025	SPACER- BRUSH PLATE [2.EA]
22	990-051	WASHER- STEEL
23	990-052	WASHER- NYLATRON
24	2316216	MOTOR ASSEMBLY 24V 4" VARS TXT 42"
	2316217	MOTOR ASSEMBLY 24V 4" VARS TXT 52"
	2316219	MOTOR ASSEMBLY 24V 4" VARS TXT 62"
	2326220	MOTOR ASSEMBLY 24V 4" VARS 42"SONAR
	2326221	MOTOR ASSEMBLY 24V 4" VARS 52" SONAR
	2326222	MOTOR ASSEMBLY 24V 4" VARS 62" SONAR
25	2032007	TUBE COMP W/4 HOLE 62"
	2032006	TUBE COMP W/4 HOLE 52"
	2032005	TUBE COMP W/4 HOLE 48"
■	1378132	PROPELLER KIT
26	2331160	PROPELLER W/WEDGE 2
27	2091701	WASHER-PROP LARGE
28	2093101	NUT-PROP NYLOCK SS
29	2262658	PIN-DRIVE SS
■	2991842	MOUNT,BOW ASSEMBLY, FW 62 W/O BGRD
	2991841	MOUNT,BOW ASSEMBLY, FW 52 W/O BGRD
36	2264246	ARM UPPER-FW LONG
37	2293501	BUSHING, STAINLESS STEEL [4.EA]
38	2263500	BOLT, SHOULDER MAXXUM [2.EA]
39	2774317	ARM-LOWER ASSEMBLY,LG,FW,EXT
40	2263913	MOTOR REST LONG MAXXUM
41	2265514	DECAL-MAXXUM,MOTOR REST [2.EA]
42	2773986	BOWPLATE- FW LG MACH/INSERT
43	2251601	ROPE 40" MAXXUM MOUNT
44	2261708	WASHER-3/8X1/2X.010 SS [2.EA]
45	2267813	BEARING NYLINER- [2.EA]
46	2152610	SPRING-PIN LOCKBAR [2.EA]
47	2233600	LOCK BAR- BOW MOUNT
48	2233602	LOCK BAR- REAR ZINC
49	2152700	SPRING-LOCKBAR CAD.PLT
50	2262703	SPRING STOP

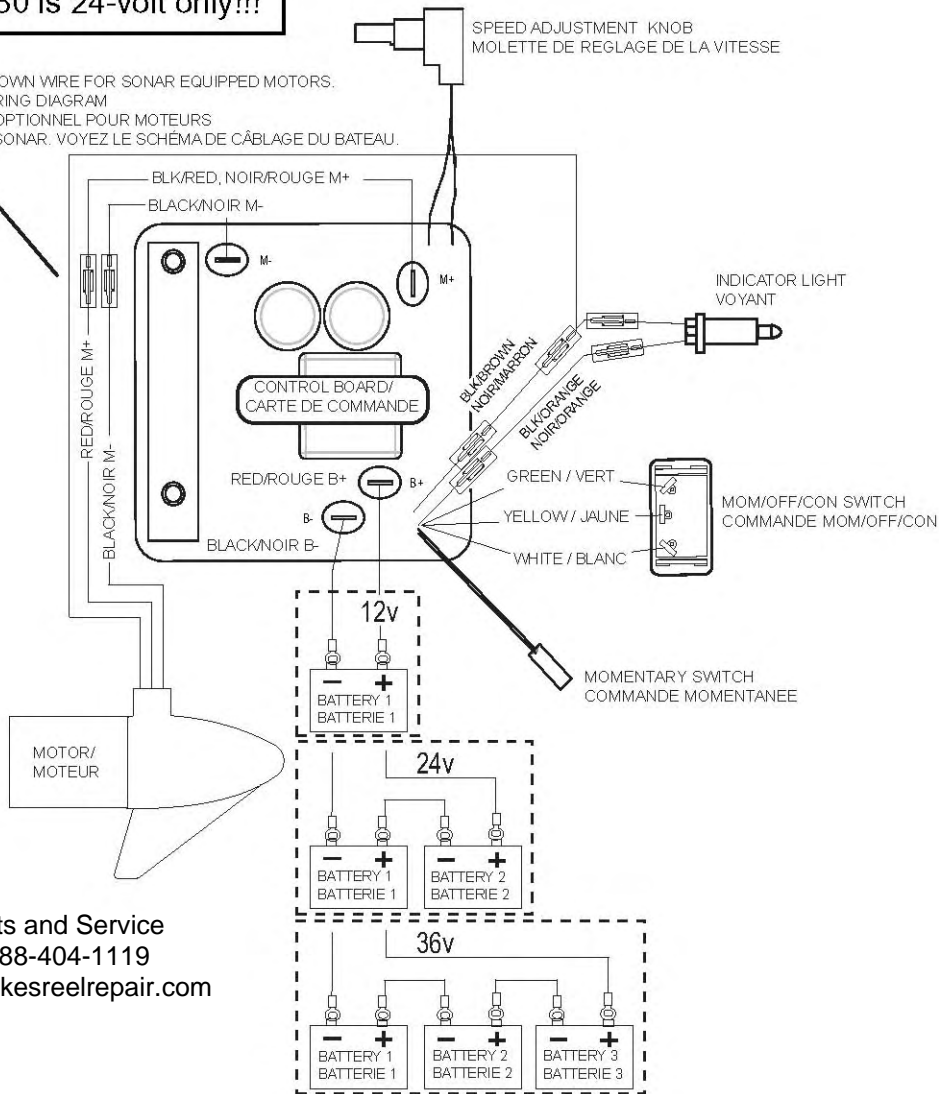
51	2153004	EYE SHAFT-ZN LOCKBAR LG-PLT
52	2260506	HINGE-PIN HEADLESS ZINC
53	2293811	YOKE,MAX MNT-POLYPROPYLENE
■	2772087	TUBE W/BEARING RACE ASSEMBLY 34"
	2772086	TUBE W/BEARING RACE ASSEMBLY 24"
54	2272087	TUBE OUTER 34" 62
	2272086	TUBE OUTER 24" 48"-52"
	2266260	BEARING RACE-(565T)
55	2267307	BUSHING, OUTER TUBE
57	2991763	BOWGUARD ASSEMBLY-FT CTRL,MAX 62
■	2991762	BOWGUARD ASSEMBLY-FT CTRL,MAX 52
	2772319	BRACKET BASE TOP/EYELET ASSEMBLY
58	2991770	BRKT BOTTOM/BEARING FW ASSEMBLY 62
59	2991771	BRKT BOTTOM/BEARING FW ASSEMBLY 52
	2772352	EYELET KIT -ROPE
60	2263423	SCREW 5/16-18 X 1" SHCS ZINC
61	2263425	SCREW 5/16-20 X 2-1/2" SHCS [2.EA]
62	2071541	SPRING-SLEEVE UPPER
63	2071535	SPRING SLEEVE, LOWER
64	2262712	SPRING, BOWGUARD, FC PAINTED
65	2262605	PIN- THREADED
67	2223100	NUT - NYLOC SS [2.EA]
68	2261722	WASHER [2.EA]
69	2994832	BAG ASSEMBLY
■	2261505	SPACER, MOTOR REST [6.EA]
*70	2263434	SCREW, 8-18 X 1 PPH SS [2.EA]
*71	2266000	BEARING BALL-STEEL
72	2266116	BEARING, CARTRIDGE
72A	2266001	BEARING, SPLIT RING
73	2261622	COLLAR HALF-PAINTED-2 PER- KIT
74	2263453	SCREW-1/4-20 X 3/4 SHCS SS [2.EA]
75	2260283	CONTROL BOX COVER-MAXXUM
76	2372100	SCREW-8-18 X 5/8 THD [4.EA]
77	2265644	DECAL COVER, MAXXUM 80
78	2265694	DECAL COVER, MAXXUM 80 US2
	2260150	POINTER DISC TRNSLCNT RED
79	2261733	WASHER-FOAM, INDICATOR
79A	2265800	DECAL-INDICATOR
80	2053414	SCREW-#8-32 X 1/2 TRI-LOBE [3.EA]
81	2267800	GEAR-INDICATOR
82	2301310	SCREW-8-18 X 5/8 SS
83	2355410	SHRINK TUBE-3/8 OD X 2- [3.EA]
84	2232360	PULLEY-CABLE DRUM
85	2261730	WASHER-NYLON
86	2996247	PINION/RACE ASSEMBLY
87	2223468	SCREW-8-32 X 7/16 ZN PL [4.EA]
88	2262607	PIN- CLEVIS ZN
89	2260805	SPRING CLIP ZN
90	2150400	PULL-GRIP
91	2151700	WASHER-EYE SHAFT .562 OD
92	2664496	FOOT PEDAL/PLUG ASSEMBLY
93	2993705	PUSH BUTTON / MAGNET ASSEMBLY
94	2302732	SPRING-LOWER PEDAL SS
95	2260810	CLIP, REED SWITCH
96	2280115	KNOB-SPEED CONTROL VAR
97	2263000	E-RING TRU-ARC#5133-43
98	2266413	PLATE -TENSION SCREW FTPEL.
99	2260511	PIN-PIVOT A/T PT PDL
100	2774550	FT PEDAL BASE/PIN ASSEMBLY
101	2262301	PULLEY- FOOT PEDAL
102	2223430	SCREW #8X3/4 PPH TYPE 25 SS [4.EA]

106	2266400	COVER-PULLEY STAMPING
107	2301310	SCREW-8-18 X 1/2 SS [2.EA]
108	2264054	CONTROL BOARD ASSY 24-36V MAX
109	2365107	INSULATING PAD 2.3 X 3.2
110	2263455	SCREW, 10-32 X 1/2 [2.EA]
111	2261220	WIRE HARNESS AT & MAX 82.5
112	2267505	CABLE ASSEMBLY-RIGHT 5'
113	2267515	CABLE ASSEMBLY-LEFT 5'
114	2265430	CABLE JACKET 5'
115	2265110	BOOT-CONTROL BOX
116	2265115	BOOT-FOOT PEDAL BASE
117	2372100	SCREW-8-18 X 5/8 THD SS [2.EA]
118	2261714	WASHER-MAXXUM PT PDL [2.EA]
119	2261901	BRACKET-CONDUIT AT/MAX
120	2263210	BRACKET-CONDUIT ADJUSTMENT
121	2263104	NYLOCK KEEPER
122	2263466	SCREW-1/4-20 X 2 STL PPH
123	2261233	LEADWIRE VARIABLE
124	2307310	BEAD - FERRITE [2 EA.] (CE MODELS ONLY)
124A	2075401	HEAT SHRINK 1.1" O.D. X 3.5"
124B	2020700	TERMINAL RING, 3/8 [2.EA]
125	2256300	TIE WRAP-5.5 BLACK
126	2263201	CLAMP WIRE HARNESS MICRO [2.EA]
127	2332103	SCREW-6-20 X 3/8 THD SS
128	2254031	SWITCH-MOM/OFF/CON
129	2266412	SWITCH PLATE, PT PEDAL
130	2332103	SCREW-6-20 X 3/8 THD SS [2.EA]
131	2256301	TIE WRAP-5.5 WHITE [2.EA]
132	2264511	BOTTOM PLATE, MAXXUM PT
133	2372100	SCREW-8 X 1/2 SS [5.EA]
134	2266610	DECAL-ON/OFF SWITCH
135	2262535	CONTROL BOX-PLASTIC
136	2267800	GEAR-INDICATOR [2.EA]
137	2262220	INDICATOR-DRIVE
138	2261905	BRACKET/INDICATOR
139	2301310	SCREW-8-18 X 1/2 SS
140	2264015	LIGHT/INDICATOR
141	2994830	BAG ASSEMBLY-MAXXUM
142	2263431	SCREW 1/4-20 X 3.5 PPH [6.EA]
143	2261713	WASHER-1/4 FLAT S/S [6.EA]
144	2263103	NUT-1/4-20 NYLOCK-JAM [6.EA]
*145	2265126	BUMPER [4.EA]
*146	2263455	SCREW #12 [4.EA]
*147	2991556	CLAMP COLLAR ASSEMBLY
148	2071550	CLAMP COLLAR "A"
149	2072621	CLAMP COLLAR "B"
■	2281505	PIN-KNURLED
150	2281505	KNOB-CLAMP COLLAR
151	2071718	WASHER #10 NYLON RETAINING
152	2073102	NUT - HEX 1/4 - 28 SS
153	2071560	SPLIT COLLAR
154	2211410	EXTENSION CABLE US2
155	2263804	STRAP - VELCRO 30.5"
156	2075120	URETHANE PAD

For Parts and Service
 Call 1-888-404-1119
www.mikesreelrepair.com

Max 80 is 24-volt only!!!

OPTIONAL BROWN WIRE FOR SONAR EQUIPPED MOTORS.
SEE BOAT WIRING DIAGRAM
FIL MARRON OPTIONNEL POUR MOTEURS
ÉQUIPÉS DE SONAR. VOYEZ LE SCHEMA DE CÂBLAGE DU BATEAU.



For Parts and Service
Call 1-888-404-1119
www.mikesreelrepair.com