

For parts and service

call toll free: 1-888-404-1119

www.mikesreelrepair.com

1	2-100-271	ARMATURE ASSEMBLY 24V 4"	50	2293811	YOKE- MAKXUM MOUNT,POLYPROPYLENE	104	2301310	SCREW- 8-18 X 1/2 [4.EA]
2	788-040	RETAINING RING	■	2992085	TUBE W/BEARING RACE ASSEMBLY	105	2344054	CNTROL BOARD ASSEMBLY 24-36V MAX
3	2-200-160	CENTER HOUSING ASSEMBLY 4.0 TXT	51	2272085	TUBE OUTER-21" 4 HOLES	106	2365107	INSULATING PAD (2.3X3.2)
4	2-300-160	BRUSH END HOUSING ASSEMBLY	52	2266260	BEARING RACE	110	2223455	SCREW- 10-32 X 1/2" [2.EA]
5	144-017	BEARING- FLANGE (SERVICE ONLY)				112	2261220	WIRE HARNESS AT & MAX
6	880-025	SEAL [2.EA]	■	2991762	BOWGUARD ASSEMBLY- FT CTRL,FW	113	2267505	CABLE ASSEMBLY- RIGHT (5')
7	421-276	PLAIN END HOUSING ASSEMBLY	54	2772319	BRACKET BASE TOP/ EYELET ASSEMBLY	114	2267515	CABLE ASSEMBLY- LEFT (5')
8	140-010	BALL BEARING	*55	2991771	BRKT BOTTOM/BEARING FW ASSEMBLY	115	2265430	CABLE JACKET (5')
9	990-045	THRUST SPACER	56	2772352	EYELET- KIT	116	2265110	BOOT- CONTROL BOX
10	992-010	SPRING WASHER	57	2263423	SCREW 5/16-18 X 1" SHCS ZINC	117	2265115	BOOT- FOOT PEDAL BASE
11	186-094	BRUSH [2.EA]	58	2263425	SCREW 5/16-18 X 2 1/2 SHCS [2.EA]	118	2372100	SCREW- 8-18X5/8 THD [2.EA]
12B	640-017	LEADWIRE-BLACK 10 AWG 61 XLP	59	2071541	SPRING SLEEVE- UPPER	119	2261714	WASHER- MAXXUM FT PDL [2.EA]
12R	640-121	LEADWIRE-RED 10 AWG 62 1/2	60	2071535	SPRING SLEEVE- LOWER	120	2261901	BRACKET- CONDUIT
13	738-040	BRUSH PLATE 4"	61	2262712	SPRING- BOWGUARD, NIK PL	121	2263210	BRACKET- CONDUIT ADJUST
14	975-041	SPRING- TORSION [2.EA]	■	2994830	BAG ASSEMBLY- MAXXUM	122	2263401	NYLOCK KEEPER
15	701-043	O-RING [2.EA]	*63	2263431	SCREW- 1/4-20 X 3.5 PPH [6.EA]	123	2263463	SCREW- 1/4-20X2" STL PPH
16	830-027	SCREW -SELF THREAD 10-32X2 [2.EA]	*64	2261713	WASHER- 1/4 FLAT S/S [6.EA]	124	2261233	LEADWIRE- A/5' VARIABLE
17	830-094	THRU BOLT 12-24X10.31 [2.EA]	*65	2263103	NUT- 1/4-20 NYLOCK-JAM SS [6.EA]	126	2020700	TERMINAL RING- 3/8" [2.EA]
18	701-009	O-RING —THRU BOLT [2.EA]	66	2266000	BEARING BALL- STEEL	127	2256300	TIE WRAP- 5.5' BLACK
19	990-051	WASHER- STEEL	66A	2266001	BEARING, CARTRIDGE	128	2263201	CLAMP WIRE HARNESS MICRO [2.EA]
20	990-052	WASHER- NYLATRON	*67	2266116	BEARING, SPLIT RING	129	2332103	SCREW- 6-20X3/8 THD (SS)
21	2316223	MOTOR ASSEMBLY 24V F/W	*68	2261619	COLLAR HALF- ZINC [2.EA]	133	2254031	SWITCH- MOM/OFF/CON
22	2032003	TUBE- COMPOSITE W/4 HOLE 42"	*69	2263452	SCREW- 1/4-20X3/4 [2.EA]	134	2266412	SWITCH PLATE- FT PEDAL
■	1378132	PROPELLER KIT	71	2260283	CONTROL BOX COVER- MAXXUM	135	2332103	SCREW- 6-20X3/8 THD SS [2.EA]
23	2331160	PROPELLER W.WEDGE II	72	2372100	SCREW- 8-18 X 5/8 THD [4.EA]	136	2256301	TIE WRAP- 5.5' WHITE [2.EA]
24	2091701	WASHER- SS	73	2265643	DECAL- COVER MAX70/FC	137	2774511	BOTTOM PLATE- MAXXUM FT
25	2093101	NUT-PROP NYLOC	74	2260150	POINTER DISC TRNSLCNT RED	138	9953104	SCREW-8 X 1/2" (SS) [5.EA]
26	2262658	PIN-DRIVE	74A	2261733	WASHER-FOAM, INDICATOR	139	2263455	SCREW- #12-14X1/2 THR FRM [4.EA]
27	973-025	SPACER- BRUSH PLATE [2.EA]	75	2265800	DECAL- INDICATOR	140	2265126	BUMPER PAD- FOOT PEDAL [4.EA]
28	2262605	PIN- BWGRD UPPER THREADED ZP	76	2053414	SCREW- 8-32 X 1/2 TRI-LOBE [3. EA]	141	2266610	DECAL- ON/OFF SWITCH
29	9908236	WASHER- 1/4 FLAT ZINC [2.EA]	77	2267800	GEAR- INDICATOR	142	2262535	CONTROL BOX- PLASTIC
30	2223100	NUT- TENSION 5/16-18 SS [2.EA]	78	2301310	SCREW- 8-18 X 1/2	143	2267800	GEAR- INDICATOR [2.EA]
■	2771840	MOUNT- BOW ASSEMBLY, STD FW MAX	79	2355410	SHRINK TUBE- 3/8 OD X 2" [2.EA]	144	2262220	INDICATOR- DRIVE
31	2264241	ARM-UPPER STD FW	80	2232360	PULLEY- CABLE DRUM	145	2261905	BRACKET/INDICATOR
32	2293501	BUSHING- STAINLESS STEEL [4.EA]	81	2261730	WASHER- NYLON A/T CON	146	2301310	SCREW- 8-18X1/2"
33	2263500	BOLT- SHOULDER MAXXUM [2.EA]	82	2996247	TOP BEARING RACE /PINION DRIVE	147	2264015	LIGHT/INDI0CATOR
34	2774315	ARM-LOWER ASSEMBLY,STD,FW,EXTRA [INCLUDES 39, 43-47, 86,87]	83	2223468	SCREW- 8-32 X 7/16 [4.EA]	148	2211400	EXTENSION CABLE- SONAR
35	2263912	MOTOR REST (STD) FW	84	2262607	PIN- CLEVIS ZP MAXXUM BWGRD	■	2991550	CLAMP COLLAR ASSEMBLY
36	2265514	DECAL- MAXXUM MOTOR REST [2.EA]	85	2260805	CLIP- SPRING ZP MAX BG	149	2071550	CLAMP COLLAR "A"
37	2261505	SPACER- MOTOR REST [6.EA]	86	2150400	PULL- GRIP	150	2071555	CLAMP COLLAR "B"
38	2773987	BOWPLATE- W/INSERT	87	2151700	WASHER- EYE SHAFT(.562 OD)	151	2072621	PIN-KNURLED
39	2251601	ROPE (40"), MAXXUM MOUNT	89	2790002	FOOT PEDAL/PLUG ASSEMBLY	152	2070120	KNOB-CLAMP COLLAR
40	2261708	WASHER- 3/8X1/2X.010 SS [2.EA]	90	2993702	PUSH- BUTTON MAGNET ASSY	153	2073412	SCREW 1/4-28 X 2 3/4" SS
41	2236000	BEARING NYLINER [2.EA]	91	2302732	SPRING- LOWER PEDAL	154	2071718	WASHER #10 NYLON RETAINING
42	2263434	SCREW, 8-18X1" PPH [2.EA]	92	2260810	CLIP, REED SWITCH	155	2071716	WASHER - FLAT SS
43	2152610	SPRING- PIN LOCKBAR [2.EA]	95	2260160	KNOB- SPEED CONTROL (VAR)	156	2073102	NUT - HEX 1/4 - 28 SS
44	2233600	LOCK BAR- BOW MOUNT	96	2263000	E-RING THU-ARC	157	2071560	SPLIT COLLAR
45	2233602	LOCK BAR REAR - ZINC	97	2266413	TENSION SCREW PLATE FTPEDAL	158	2263804	STRAP - VELCRO 30.5"
46	2152700	SPRING- LOCKBAR CAD.PLTD	*98	2260511	PIN- PIVOT A/T FT PDL	200	2075120	URETHANE PAD
47	2262703	SPRING STOP- MAXXUM	99	2774550	FT PEDAL BASE/PIN ASSEMBLY			
48	2153602	EYE SHAFT-2LOCKBAR STD	100	2262301	PULLEY- FOOT PEDAL			
49	2260506	HINGE-PIN HEADLESS ZINC	101	2223430	SCREW- #8X3/4 PPH TYPE 25 SS [4.EA]			
			103	2266400	COVER- PULLEY			

Seal & O-Ring Kit is p/n 2889460

* This item is part of an assembly. This item cannot be sold separately due to machining and /or assembly that is required. P/N 2274983 REV. E 10-06

For parts and service

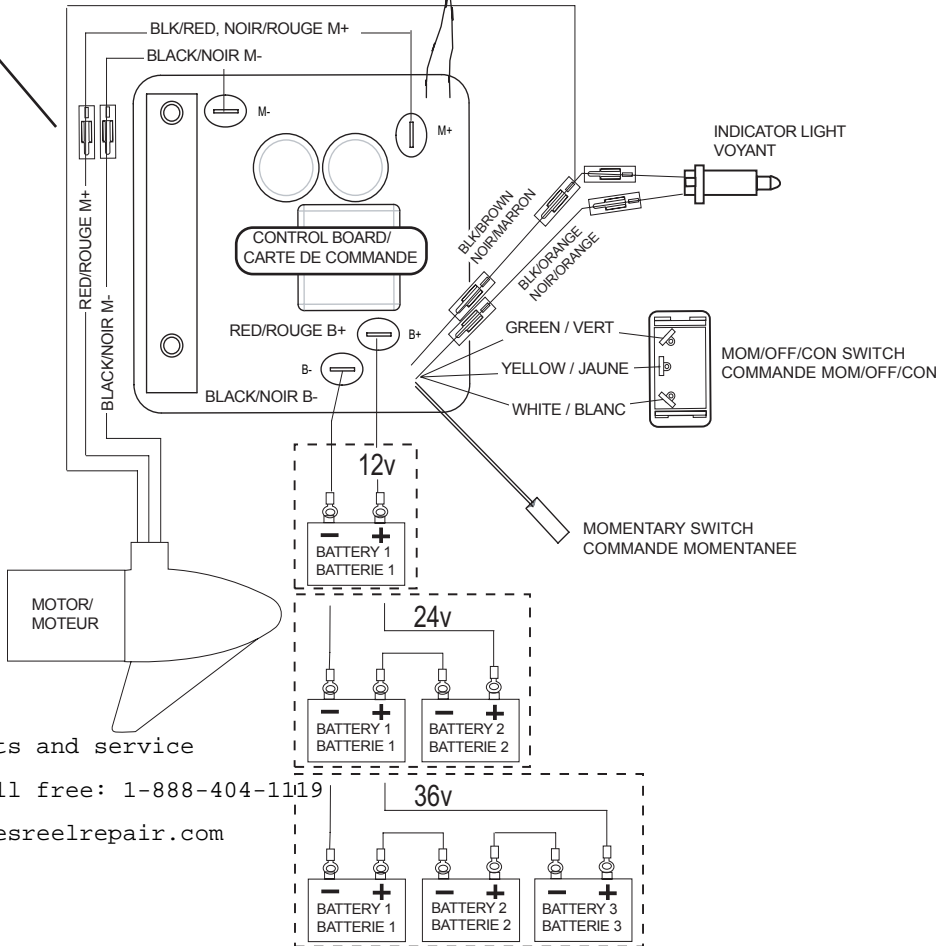
call toll free: 1-888-404-1119

www.mikesreelrepair.com

Max 70 is 24-volt!

SPEED ADJUSTMENT KNOB
MOLETTE DE REGLAGE DE LA VITESSE

OPTIONAL BROWN WIRE FOR SONAR EQUIPPED MOTORS.
SEE BOAT WIRING DIAGRAM
FIL MARRON OPTIONNEL POUR MOTEURS
ÉQUIPÉS DE SONAR. VOYEZ LE SCHÉMA DE CÂBLAGE DU BATEAU.



For parts and service

call toll free: 1-888-404-1119

www.mikesreelrepair.com