

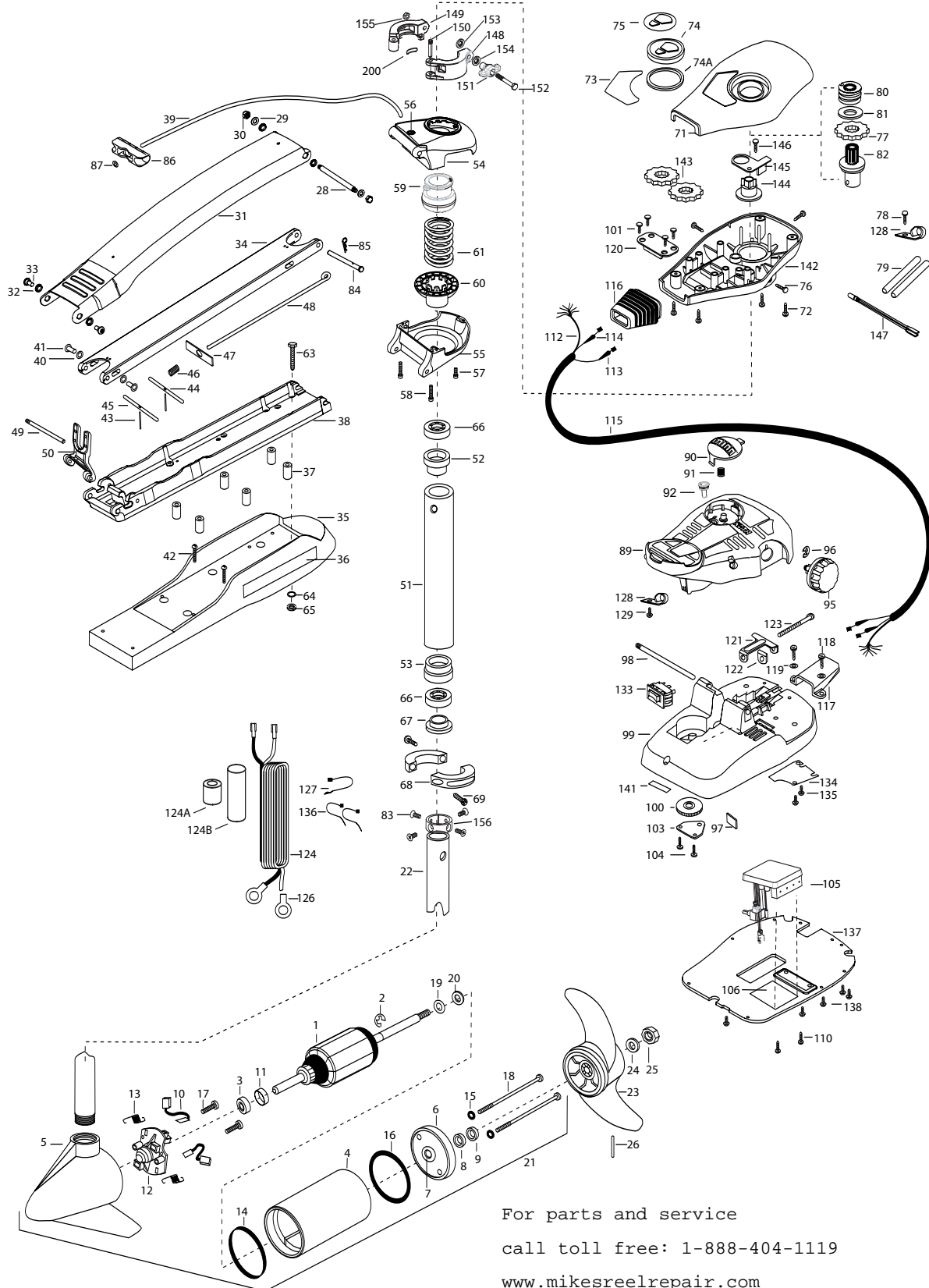
**MAX 70**  
**70 lbs Thrust**  
**24 Volt 42 Amps**  
**52" shaft**

**for use with "AH" serial numbers**  
**3-year warranty from the date of purchase**

For parts and service

call toll free: 1-888-404-1119

[www.mikesreelrepair.com](http://www.mikesreelrepair.com)



For parts and service

call toll free: 1-888-404-1119

[www.mikesreelrepair.com](http://www.mikesreelrepair.com)

1	2-100-119	ARMATURE ASSEMBLY	■	2772016	TUBE W/BEARING RACE ASSEMBLY 52"	105	2344054	CNTROL BOARD ASSEMBLY 24-36V MAX
2	788-015	RETAINING RING		2772014	TUBE W/BEARING RACE ASSEMBLY 62"	106	2365107	INSULATING PAD (2.3X3.2)
3	140-010	BALL BEARING	51	2272067	TUBE OUTER-24" 4 HOLES 48"-52"	110	2223455	SCREW- 10-32 X 1/2" [2.EA]
4	431-005	CENTER HOUSING ASSEMBLY		2272068	TUBE OUTER-34" 4 HOLES 62"	111	2211410	EXTENSION CABLE- SONAR ONLY
5	421-065	HOUSING BRUSH END 3.62 62"	52	2266260	BEARING RACE	112	2261220	WIRE HARNESS AT & MAX
	9421-168	BRUSH HOUSING ASSY 3.62 US2 52"	53	2266220	BEARING RACE- STEEL	113	2267505	CABLE ASSEMBLY- RIGHT (5')
	9421-169	BRUSH HOUSING ASSY 3.62 US2 62"	■	2991762	BOWGUARD ASSEMBLY- FT CTRL,FW 52"	114	2267515	CABLE ASSEMBLY- LEFT (5')
6	2-400-101	PLAIN END HOUSING ASSEMBLY		2991763	BOWGUARD ASSEMBLY- FT CTRL,FW 62"	115	2265430	CABLE JACKET (5')
7	144-049	BEARING - FLANGE (SERVICE CENTER ONLY)	54	2772319	BRACKET BASE TOP/INSERT ASSEMBLY	116	2265110	BOOT- CONTROL BOX
8	880-003	SEAL	55	2991771	BRKT BOTTOM/BEARING FW ASSEMBLY 52"	117	2265115	BOOT- FOOT PEDAL BASE
9	880-006	SEAL WITH SHIELD		2991770	BRKT BOTTOM/BEARING FW ASSEMBLY 62"	118	2372100	SCREW- 8-18X5/8 THD [2.EA]
10	188-036	BRUSH ASSEMBLY [2.EA]	56	2772352	EYELET- ROPE KIT	119	2261714	WASHER- MAXXUM FT PDL [2.EA]
11	725-050	BRUSH RETENTION- PAPER TUBE	57	2263423	SCREW 5/16-18 X 1" SHCS ZINC	120	2261901	BRACKET- CONDUIT
12	738-036	BRUSH PLATE W/HOLDER	58	2263425	SCREW 5/16-18 X 2 1/2" SHCS [2.EA]	121	2263210	BRACKET- CONDUIT ADJUST
12G	640-306	GROUND WIRE 52"	59	2071541	SPRING SLEEVE- UPPER	122	2263104	NYLOCK KEEPER
13	975-040	SPRING - TORSION [2.EA]	60	2071535	SPRING SLEEVE- LOWER	123	2266366	SCREW- 1/4-20X2" STL PPH
14	337-036	GASKET	61	2262712	SPRING- BOWGUARD, FC PAINTED	124	2261233	LEADWIRE- VARIABLE
15	701-008	O-RING, THRU-BOLT [2.EA]	■	2994830	BAG ASSEMBLY- MAXXUM	126	2020700	TERMINAL RING- 3/8" [2.EA]
16	701-081	O-RING	*63	2263431	SCREW- 1/4-20 X 3.5 PPH [6.EA]	127	2256300	TIE WRAP- 5.5" BLACK
17	830-007	SCREW-8-32 [2.EA]	*64	2261713	WASHER- 1/4 FLAT S/S [6.EA]	128	2263201	CLAMP WIRE HARNESS MICRO [2.EA]
18	830-008	THRU-BOLT 10-32X9.2 [2.EA]	*65	2263103	NUT- 1/4-20 NYLOCK-JAM SS [6.EA]	129	2332103	SCREW- 6-20X3/8 THD (SS)
19	990-067	WASHER- STEEL THRUST	■	2994832	BAG ASSEMBLY- MAX101 62"	133	2254031	SWITCH- MOM/OFF/CON
20	990-070	WASHER- NYLATRON [2.EA]	66	2266000	BEARING BALL- STEEL [2.EA]	134	2266412	SWITCH PLATE- FT PEDAL
21	2106031	MOTOR ASSEMBLY 24V F/W 52" SONAR	*67	2266115	BEARING CONE	135	2332103	SCREW- 6-20X3/8 THD SS [2.EA]
	2096031	MOTOR ASSEMBLY 24V F/W 52"	*68	2261622	COLLAR HALF- ALUM. [2.EA]	136	2256301	TIE WRAP- 5.5" WHITE [2.EA]
22	2032006	TUBE- COMPOSITE 52" W/4 HOLE	*69	2263453	SCREW- 1/4-20X3/4 [2.EA]	137	2774511	BOTTOM PLATE- MAXXUM FT
	2032005	TUBE- COMPOSITE 48" W/4 HOLE	71	2260283	CONTROL BOX COVER- MAXXUM	138	2372100	SCREW-8 X 1/2" (SS) [5.EA]
■	1378131	PROPELLER KIT	72	2372100	SCREW- 8-18 X 5/8 THD [4.EA]	139	2263455	SCREW- #12-14X1/2 THR FRM [4.EA]
23	2091160	PROPELLER W.WEDGE 2	73	2265643	DECAL - COVER MAX70/FC	140	2265126	BUMPER PAD- FOOT PEDAL [4.EA]
24	2151726	WASHER-5/16 SS		2265646	DECAL - COVER MAX70 /FC US	141	2266610	DECAL- ON/OFF SWITCH
25	2053101	NUT-PROP NYLOC	74	2260150	POINTER DISC TRNSLCNT RED	142	2262535	CONTROL BOX- PLASTIC
26	2092600	PIN-DRIVE	74A	2261733	WASHER-FOAM, INDICATOR	143	2267800	GEAR- INDICATOR [2.EA]
28	2262605	PIN- BWGRD UPPER THREADED ZP	75	2265800	DECAL- INDICATOR	144	2262220	INDICATOR- DRIVE
29	9908236	WASHER- 1/4 FLAT ZINC [2.EA]	76	2053414	SCREW- 8-32 X 1/2 TRI-LOBE [3. EA]	145	2261905	BRACKET/INDICATOR
30	2223100	NUT- TENSION 5/16-18 SS [2.EA]	77	2267800	GEAR- INDICATOR	146	2301310	SCREW- 8-18X1/2"
■	2991841	MOUNT- BOW ASSY, LNG FW 52" W/O BGRD	78	2301310	SCREW- 8-18 X 1/2	147	2264015	LIGHT/INDICATOR
	2991842	MOUNT- BOW ASSY, LNG FW 62" W/O BGRD	79	2355410	SHRINK TUBE- 3/8 OD X 2" [3.EA]	■	2991550	CLAMP COLLAR ASSEMBLY
31	2264246	ARM-UPPER LONG FW	80	2232360	PULLEY- CABLE DRUM	148	2071550	CLAMP COLLAR "A"
32	2293501	BUSHING- STAINLESS STEEL [4.EA]	81	2261730	WASHER- NYLON A/T CON	149	2071555	CLAMP COLLAR "B"
33	2263500	BOLT- SHOULDER MAXXUM [2.EA]	82	2996247	TOP BEARING RACE /PINION DRIVE	150	2072621	PIN-KNURLED
34	2774317	ARM-LOWER ASSEMBLY, LONG, FW, EXTRA [INCLUDES 39, 43-47, 86,87]	83	2223468	SCREW- 8-32 X 7/16 [4.EA]	151	2070120	KNOB-CLAMP COLLAR
			84	2262607	PIN- CLEVIS ZP MAXXUM BWGRD	152	2073412	SCREW 1/4-28 X 2 3/4" SS
35	2263913	MOTOR REST LONG FW	85	2260805	CLIP- SPRING ZP MAX BG	153	2071718	WASHER #10 NYLON RETAINING
36	2265514	DECAL- MAXXUM MOTOR REST [2.EA]	86	2150400	PULL- GRIP	154	2071716	WASHER - FLAT SS
37	2261505	SPACER- MOTOR REST [6.EA]	87	2151700	WASHER- EYE SHAFT(.562 OD)	155	2073102	NUT - HEX 1/4 - 28 SS
38	2773986	BOWPLATE- W/INSERT	89	2790002	FOOT PEDAL/PLUG ASSEMBLY	156	2071560	SPLIT COLLAR
39	2251601	ROPE (40"), MAXXUM MOUNT	90	2993702	PUSH- BUTTON MAGNET ASSY	157	2263804	STRAP - VELCRO 30.5"
40	2261708	WASHER- 3/8X1/2X.010 SS [2.EA]	91	2302732	SPRING- LOWER PEDAL	200	2075120	URETHANE PAD
41	2267318	BEARING NYLINER [2.EA]	92	2260810	CLIP, REED SWITCH			
42	2263434	SCREW, 8-18X1" PPH [2.EA]	95	2260160	KNOB- SPEED CONTROL (VAR)		62" ONLY	
43	2152610	SPRING- PIN LOCKBAR [2.EA]	96	2263000	E-RING THU-ARC	158	2030710	CONNECTOR BUTT [2.EA]
44	2233600	LOCK BAR- BOW MOUNT	97	2266413	TENSION SCREW PLATE FTPEDAL	159	2030317	WIRE EXTENSION 18" RED
45	2233602	LOCK BAR REAR - ZINC	*98	2260511	PIN- PIVOT A/T FT PDL	160	2030316	WIRE EXTENSION 18" BLACK
46	2152700	SPRING- LOCKBAR CAD.PLTD	99	2774550	FT PEDAL BASE/PIN ASSEMBLY	161	2375400	SHRINK TUBE 1/4ODX1-3/4 [2.EA]
47	2262703	SPRING STOP- MAXXUM	100	2262301	PULLEY- FOOT PEDAL			
48	2153604	EYE SHAFT- 2-LOCKBAR LG PLTD	101	2223430	SCREW- #8X3/4 PPH TYPE 25 SS [4.EA]			
49	2260506	HINGE-PIN HEADLESS ZINC	103	2266400	COVER- PULLEY			
50	2293811	YOKE- MAKXUM MOUNT,POLYPROPYLENE	104	2301310	SCREW- 8-18 X 1/2 [4.EA]			

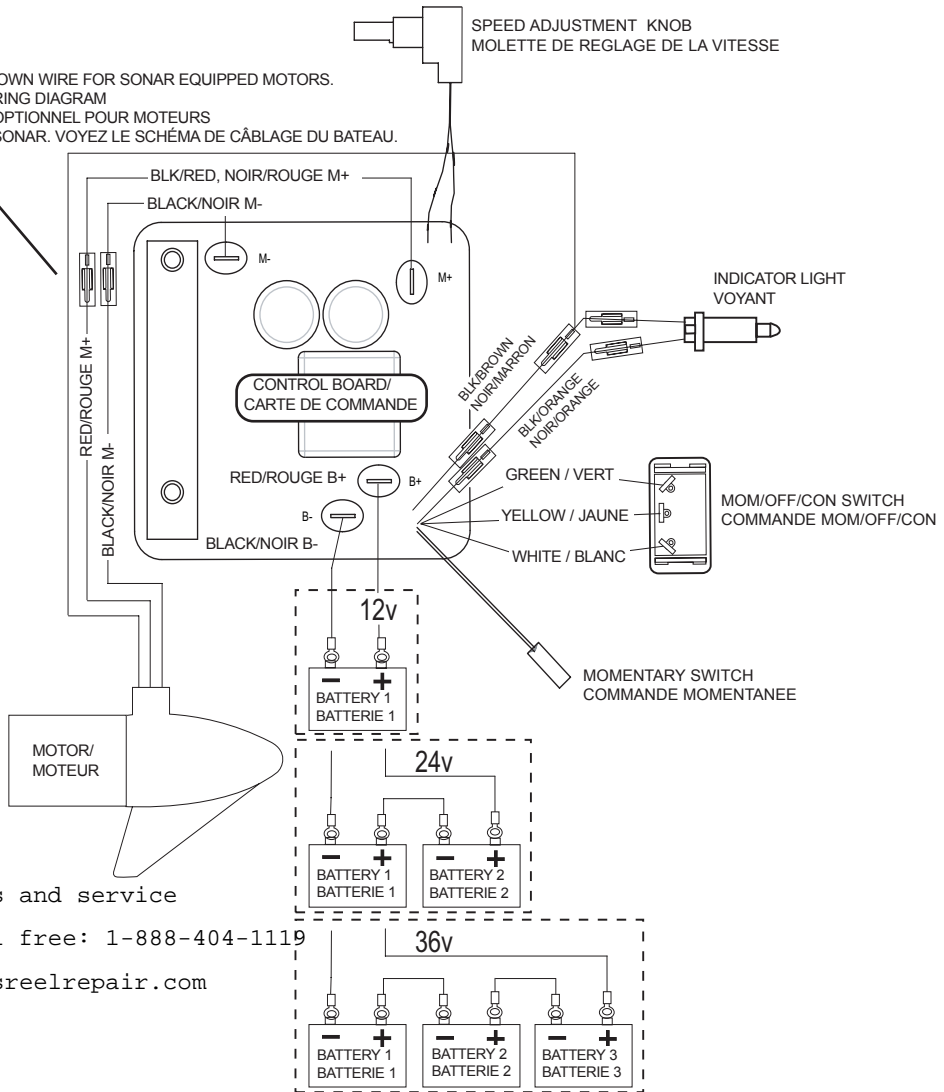
Seal & O-Ring Kit is p/n 2888460

\* This item is part of an assembly. This item cannot be sold separately due to machining and/or assembly that is required.  
For parts and service

P/N 2274962 REV. J 11-06

# Max 70 is 24-volt!

OPTIONAL BROWN WIRE FOR SONAR EQUIPPED MOTORS.  
SEE BOAT WIRING DIAGRAM  
FIL MARRON OPTIONNEL POUR MOTEURS  
ÉQUIPÉS DE SONAR. VOYEZ LE SCHÉMA DE CÂBLAGE DU BATEAU.



For parts and service

call toll free: 1-888-404-1119

[www.mikesreelrepair.com](http://www.mikesreelrepair.com)