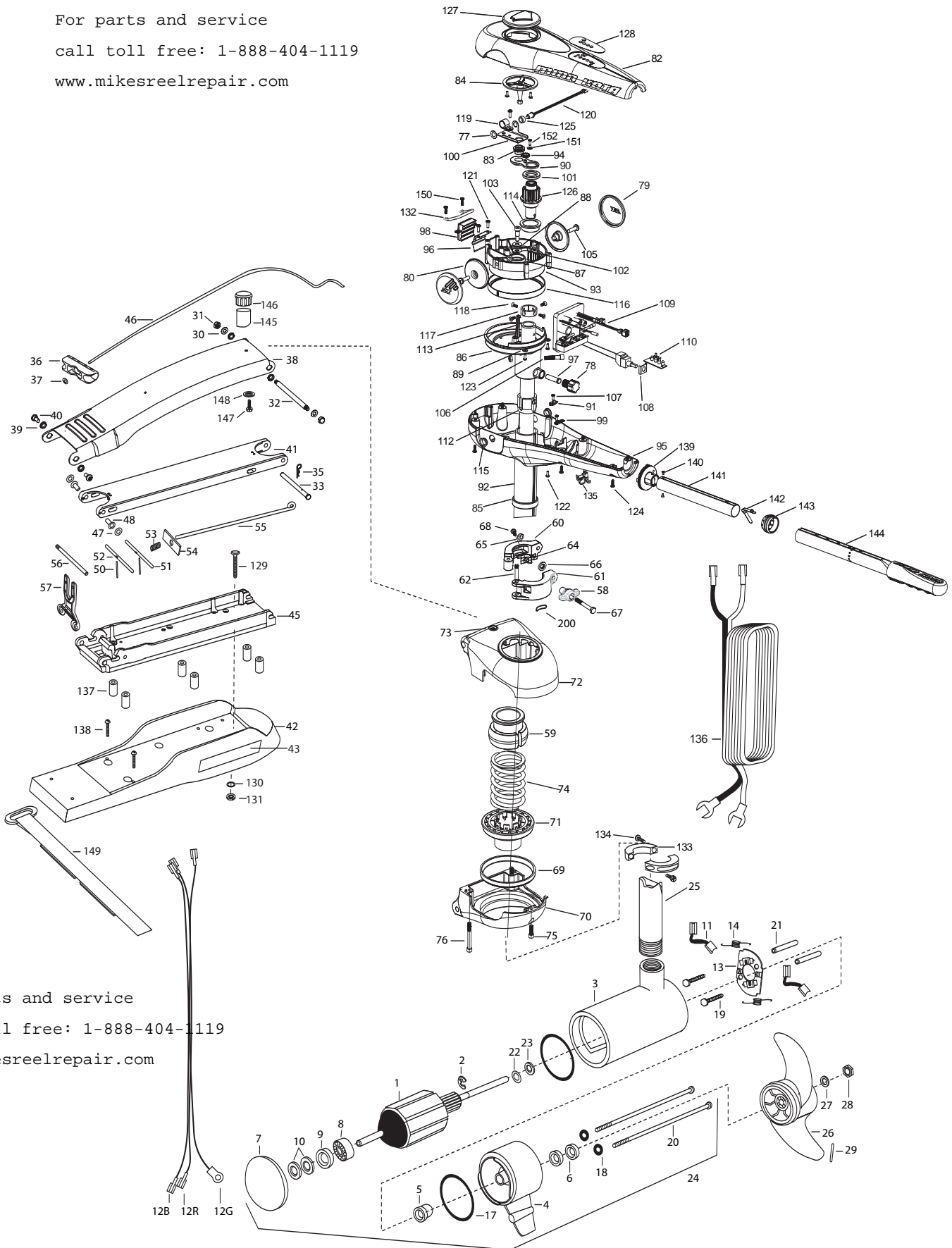


**MAXXUM 101/H -3X STEERING
BOWGUARD 360° MOUNT
101 LBS THRUST
36 VOLT 46 AMPS
52" SHAFT**

for use with "AG" serial numbers
3-year warranty from the date of purchase

For parts and service
call toll free: 1-888-404-1119
www.mikesreelrepair.com



For parts and service
call toll free: 1-888-404-1119
www.mikesreelrepair.com

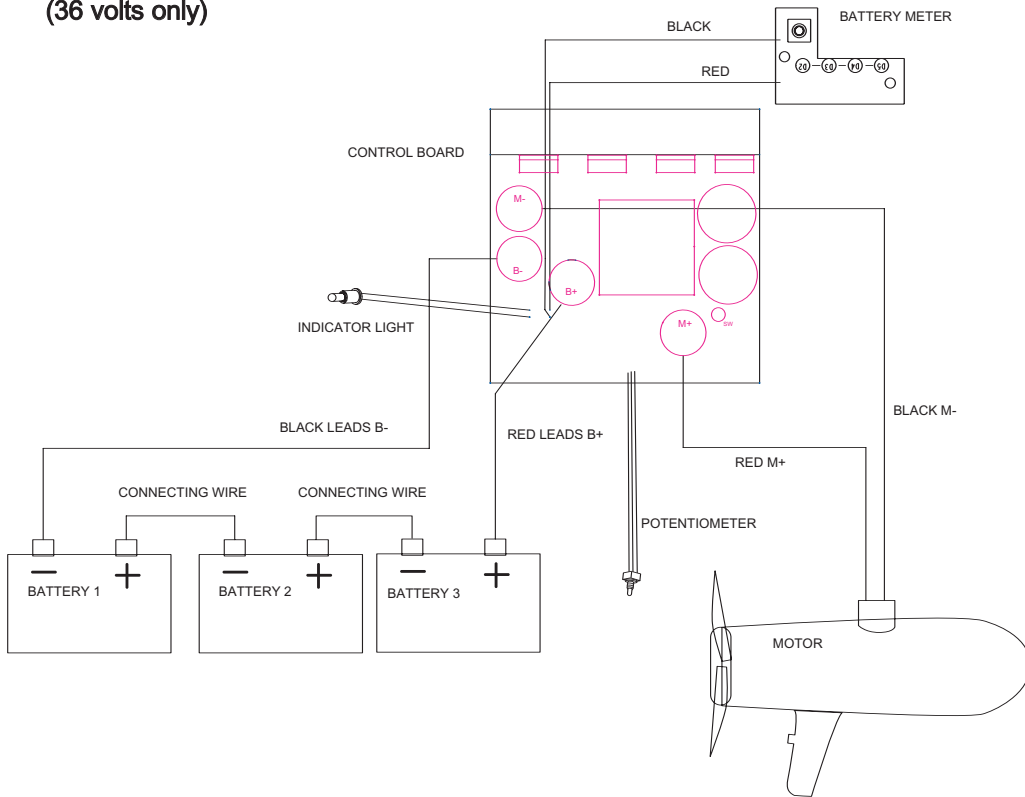
| | | | | | | | | |
|-----|-----------|--|-----|---------|--------------------------------------|------|----------|---------------------------------|
| 1 | 2-100-216 | ARMATURE ASSEMBLY 36V 4 VARS FW 101# | 53 | 2152700 | SPRING-LOCKBAR CAD.PLTD | 103 | 2073400 | SCREW 5/16" X 1/2" SHOULDER |
| 2 | 788-040 | RETAINING RING | 54 | 2262703 | SPRING STOP | 105 | 2073408 | SCREW [2 EA.] |
| 3 | 2-200-110 | CENTER HOUSING ASSEMBLY 4.0 FW TXT MAX | 55 | 2153602 | EYE SHAFT-2LOCKBAR STD-PL | 106 | 2073410 | SCREW |
| 4 | 2-300-160 | BRUSH END HOUSING ASSEMBLY 4.0 FW TXT | 56 | 2260506 | HINGE-PIN HEADLESS ZINC | 107 | 2073414 | SCREW 6-32 PPH [2 EA.] |
| 5 | 144-017 | BEARING -FLANGE (SERVICE ONLY) | 57 | 2293811 | YOKE,MAX MNT-POLYPROPYLENE | 108 | 2074000 | POT CLIP |
| 6 | 880-025 | **SEAL [2.EA] | 58 | 2070120 | KNOB CLAMP COLLAR | 109 | 2074061 | CONTROL BOARD ASSEMBLY |
| 7 | 421-276 | PLAIN END HOUSING ASSEMBLY 4.0 | 59 | 2071541 | SPRING SLEEVE UPPPER | 110 | 2074072 | BATTERY METER |
| 8 | 140-010 | BALL BEARING | ■ | 2991555 | COLLAR CLAMP ASSEMBLY | 112 | 2075100 | TENSION SLEEVE |
| 9 | 990-045 | THRUST SPACER | 60 | 2071550 | COLLAR CLAMP "A" | 113 | 2076701 | KEY - TUBE |
| 10 | 992-010 | SPRING WASHER [2.EA] | 61 | 2071555 | COLLAR CLAMP "B" | 114 | 2077305 | BEARING UPPER |
| 11 | 188-094 | BRUSH 4"W/TERMINAL [2.EA] | 62 | 2072621 | PIN KNURLED | 115 | 2077316 | BUSHING PIVOT [2 EA.] |
| 12B | 640-017 | BRUSH WIRE- BLACK 10 AWG 61 XLP | 64 | 2072821 | ORIENTATION BLOCK | 116 | 2077320 | BEARING - GEAR CARRIER |
| 12R | 640-121 | BRUSH WIRE- RED 10 AWG 62-1/2 | 65 | 2073102 | NUT | 117 | 2071560 | COLLAR TUBE |
| 13 | 738-004 | BRUSH PLATE - 4" TERMINAL | 66 | 2071718 | WASHER #10 NYLON | 118 | 2223468 | SCREW 8-32 [4 EA.] |
| 14 | 975-041 | SPRING -TORSION [2.EA] | 67 | 2073413 | SCREW 1/4 - 28"HHC | 119 | 2263201 | CLAMP WIRE HARNESS |
| 17 | 701-009 | **O-RING -THRU BOLT [2.EA] | 68 | 2073418 | SCREW 10-32 SS | 120 | 2264015 | LIGHT INDICATOR |
| 18 | 701-043 | **O-RING (2 REQ'D) | ■ | 2991761 | BOWGUARD ASSEMBLY | 121 | 2372100 | SCREW 8-18 SS [2 EA.] |
| 19 | 830-027 | SCREW -SELF TREADED 10-32 X 2" [2.EA] | ■ | 2991771 | BRACKET/BEARING ASSEMBLY | 122 | 2073416 | SCREW 8-32 SS SHCS [2 EA.] |
| 20 | 830-096 | THRU BOLT 12-24 X 11.56" SS [2.EA] | *69 | 2261534 | BEARING | 123 | 2332103 | SCREW 6-20 SS [5 EA.] |
| 21 | 973-025 | SPACER -BRUSH PLATE [2.EA] | *70 | 2262050 | BRACKET BASE BOTTOM | 124 | 2012100 | SCREW 8-18 X 5/8" [6 EA.] |
| 22 | 990-051 | WASHER-THRUST, STEEL | 71 | 2261535 | SPRING SLEEVE | 125 | 2071525 | SPACER-INDICATOR LIGHT |
| 23 | 990-052 | WASHER- NYLATRON | 72 | 2772319 | BRACKET BASE TOP W/ EYELET | 126 | 2992205 | PINION - MAIN |
| 24 | 2316284 | MOTOR ASSEMBLY 36V VARS TXT | 73 | 2262315 | EYELET ROPE | 127 | 2998600 | INDICATOR ASSEMBLY |
| 25 | 2072006 | TUBE (COMP) HOLE 52" | 74 | 2262711 | SPRING BOWGUARD | 128 | 2075623 | DECAL MAX 101 W/3X |
| ■ | 1378132 | PROPELLER KIT | 75 | 2263423 | SCREW 5/16-18" X 1" SHCS ZINC | ■ | 2994830 | BAG ASSEMBLY - MAXXUM VECTOR |
| 26 | 2331160 | PROPELLER (W.WEDGE 2) | 76 | 2263425 | SCREW 5/16-18" X 2 1/2" SHCS [2 EA.] | *129 | 2263431 | 1/4-20X3.5" PPH [6.EA] |
| 27 | 2091701 | WASHER-PROP (LARGE) MAX 101 | 77 | 2013100 | SPEED NUT | *130 | 2261713 | WASHER 1/4 FLAT SS [6.EA] |
| 28 | 2093101 | NUT-PROP (LARGE) MAX 101 | 78 | 2070105 | KNOB-TENSION | *131 | 2263103 | NUT 1/4-20 NYLOC-JAM SS [6.EA] |
| 29 | 2262658 | PROP PIN | 79 | 2070110 | PIVOT KNOB [2 EA.] | 132 | 2072815 | BRACKET TILT STOP |
| 30 | 9908236 | WASHER 1/4 FLAT ZINC [2.EA] | 80 | 2070117 | COVER-PIVOT KNOB [2 EA.] | 133 | 2261622 | COLLAR HALF [2 EA.] |
| 31 | 2223100 | NUT- TENSION 5/16-18 SS [2 .EA] | 82 | 2070201 | COVER 3:1 | 134 | 2263453 | SCREW 1/4-20 X 1" [2 EA.] |
| 32 | 2262605 | PIN- BWGRD UPPER THREADED | 83 | 2070800 | COUPLER SOCKET | 135 | 2052900 | STRAIN RELIEF |
| 33 | 2262607 | CLEVIS PIN ZP MAXXUM BWGRD | 84 | 2070810 | COUPLER DRIVE | 136 | 2090650 | LEADWIRE |
| 35 | 2260801 | SPRING CLIP | 85 | 2071500 | LOWER COLLAR SUPPORT | ■ | 2994832 | BAG ASSEMBLY-MAXXUM VECTOR |
| 36 | 2150400 | PULL-GRIP | 86 | 2071512 | YOKE-GEAR CARRIER | *137 | 2261505 | SPACER, MOTOR REST [6.EA] |
| 37 | 2151700 | WASHER-EYE SHAFT(.562 OD) | 87 | 2071710 | WASHER NYLATRON [2 EA.] | *138 | 2263434 | SCREW, 8-18 X 1" PPH SS [2.EA] |
| ■ | 2991854 | MOUNT, BOW ASSEMBLY | 88 | 2071712 | WASHER SS | 139 | 2990404 | PIVOT HANDLE ASSEMBLY |
| 38 | 2264241 | ARM-UPPER FW,STD. | 89 | 2071714 | WASHER FLAT #6 [2 EA.] | 140 | 2072102 | SCREW #6 X 1/4" [2 EA.] |
| 39 | 2293501 | BUSHING, STAINLESS STEEL [4.EA] | 90 | 2071900 | IDLER PLATE | 141 | 2070425 | HANDLE TUBE |
| 40 | 2263500 | BOLT- SHOULDER (MAXXUM) [2.EA] | 91 | 2071905 | BRACKET- SENSOR SWITCH | 142 | 2070411 | LATCH-BUTTON |
| 41 | 2994307 | ARM-LOWER ASSEMBLY,STD,FW,EXT | 92 | 2072080 | OUTER TUBE 3:1 52" | 143 | 2070010 | BEARING |
| 42 | 2263912 | MOTOR REST STD. MAXXUM | 93 | 2072210 | GEAR CARRIER | 144 | 2990930A | HANDLE ASSEMBLY-EXT. |
| 43 | 2265514 | DECAL-MAXXUM,MOTOR REST [2.EA] | 94 | 2072215 | GEAR- IDLER | ■ | 2994841 | STABILIZER / STRAP BAG ASSEMBLY |
| 44 | 2261505 | SPACER, MOTOR REST [6.EA] | 95 | 2072501 | CONTROL BOX | 145 | 2268400 | SHAFT - SUPPORT |
| 45 | 2993987 | BOWPLATE,STD. FW-MACH/INSERT | 96 | 2072705 | SPRING DETENT | 146 | 2268401 | BUMPER-SHAFT |
| 46 | 2251601 | ROPE (40"), MAXXUM MOUNT | 97 | 2072710 | SPRING TENSION SLEEVE | 147 | 2266364 | SCREW 1/4 -10 X 1" SS |
| 47 | 2261707 | WASHER-3/8X1/2X.010" SS [2.EA] | 98 | 2072810 | DETENT BLOCK-TILT | 148 | 2011720 | LOCKWASHER |
| 48 | 2236000 | BEARING NYLINER-[2.EA] | 99 | 2072811 | DETENT BLOCK-SWITCH | 149 | 2263804 | STRAP - HOLD DOWN |
| 50 | 2152612 | SPRING-PIN LOCKBAR [2.EA] | 100 | 2072900 | RETAINER COUPLER | 150 | 2332101 | SCREW #8-32 X 1/2" SS [2 EA.] |
| 51 | 2233620 | LOCK BAR- BOW MOUNT | 101 | 2073000 | RING PRELOAD | 151 | 2071720 | #4 WASHER SS |
| 52 | 2233622 | LOCK BAR, REAR - ZINC | 102 | 2073100 | HEX NUT - NYLOC | 152 | 2373440 | #4 SCREW SS |
| | | | | | | 200 | 2075120 | URETHANE PAD |

** Seal & Oring Kit P/N 2889460 * This item is part of an assembly. This item cannot be sold separately due to machining and /or assembly that is required.
For parts and service

P/N 2074973 REV.D 6-05

For parts and service
call toll free: 1-888-404-1119
www.mikesreelrepair.com

**MAXXUM 101 - 3X
(36 volts only)**



Note: Do not use crank battery as one of the three supply batteries for the trolling motor. Using the crank battery as one of the supply batteries may cause corrosion damage to your trolling motor which would not be covered by the warranty.