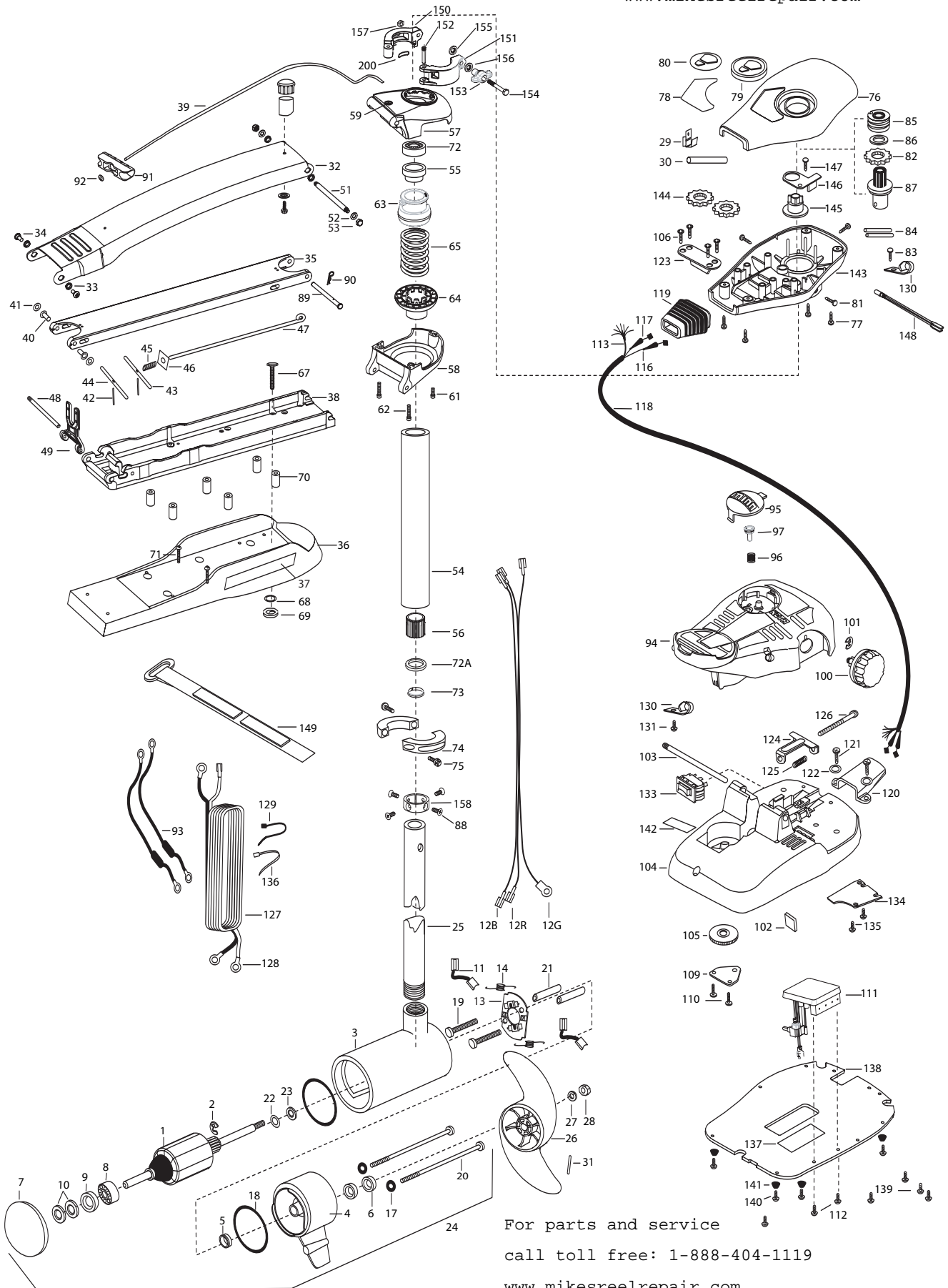


MAXXUM 101 FC
101 lbs Thrust
36 Volt 42 Amps
72" SHAFT

for use with "AG" serial numbers
3-year warranty from the date of purchase

For parts and service
call toll free: 1-888-404-1119
www.mikesreelrepair.com



For parts and service
call toll free: 1-888-404-1119
www.mikesreelrepair.com

call toll free: 1-888-404-1119

1	2-100-216	ARMATURE ASSEMBLY 36V 4 VARS FW 101#	www.mikesreelrepair.com				
2	788-040	RETAINING RING	■ 2991759	BOWGUARD ASSEMBLY-FT CTRL,MAX	120	2265115	BOOT-FOOT PEDAL BASE
3	2-200-110	CENTER HOUSING ASSEMBLY 4.0 FW TXT MAX	57 2772319	BRACKET BASE TOP/EYELET ASSEMBLY	121	2372100	SCREW-8-18 X 5/8",THDT [2.EA]
4	2-300-160	BRUSH END HOUSING ASSEMBLY 4.0 FW TXT	58 2771770	BRACKET BOTTOM/BEARING ASSEMBLY	122	2261714	WASHER-MAXXUM FT PDL [2.EA]
5	144-017	BEARING -FLANGE (SERVICE ONLY)	59 2772352	EYELET-ROPE KIT	123	2261901	BRACKET-CONDUIT AT/MAX
6	880-025	**SEAL [2.EA]	61 2263423	SCREW 5/16-18 X 1" SHCS	124	2263210	BRACKET-CONDUIT ADJUST
7	421-276	PLAIN END HOUSING ASSEMBLY 4.0	62 2263425	SCREW 5/16-18 X 2-1/2" SHCS [2.EA]	125	2262720	SPRING-CONDUIT ADJUST
8	140-010	BALL BEARING	63 2071541	SPRING-SLEEVE UPPER	126	2263466	SCREW-1/4-20 X 2" STL PPH
9	990-045	THRUST SPACER	64 2071535	SPRING SLEEVE, LOWER	127	2261238	LEADWIRE A/T VARIABLE
10	992-010	SPRING WASHER [2.EA]	65 2262711	SPRING, BOWGUARD, NIK	128	2020700	TERMINAL RING, 3/8" [2.EA]
11	188-094	BRUSH 4"W/TERMINAL [2.EA]	■ 2994830	BAG ASSEMBLY-MAXXUM	129	2256300	TIE WRAP-5.5" BLACK
12B	640-024	BRUSH WIRE- BLACK 10 AWG 79"	*67 2263431	SCREW 1/4-20 X 3.5" PPH [6.EA]	130	2263201	CLAMP WIRE HARNESS MICRO [2.EA]
12R	640-131	BRUSH WIRE- RED 10 AWG 80-1/2"	*68 2261713	WASHER-1/4" FLAT S/S [6.EA]	131	2332103	SCREW-6-20 X 3/8" THD
13	738-004	BRUSH PLATE - 4" TERMINAL	*69 2263103	NUT -NYLOCK JAM 1/4-20 S/S [6.EA]	133	2254031	SWITCH-MOM/OFF/COM
14	975-041	SPRING -TORSION [2.EA]	■ 2994832	BAG ASSEMBLY	134	2266412	SWITCH PLATE, FT PEDAL
17	701-009	**O-RING -THRU BOLT [2.EA]	70 2261505	SPACER, MOTOR REST [6.EA]	135	2332103	SCREW-6-20 X 3/8" THD [2.EA]
18	701-043	**O-RING (2 REQ'D)	71 2263434	SCREW, 8-18 X 1" PPH [2.EA]	136	2256301	TIE WRAP-5.5" WHITE [2.EA]
19	830-027	SCREW -SELF TREADED 10-32 X 2" [2.EA]	72 2266000	BEARING, BALL-STEEL [2.EA]	137	2365107	INSULATING PAD 2.3 X 3.2"
20	830-096	THRU BOLT 12-24 X 11.56" SS [2.EA]	72A 2266116	BEARING, CARTRIDGE	138	2264511	BOTTOM PLATE, MAX 101
21	973-025	SPACER -BRUSH PLATE [2.EA]	73 2266001	BEARING, SPLIT RING	139	2372100	SCREW-8 X 5/8" SS [5.EA]
22	990-051	WASHER-THRUST, STEEL	74 2261619	COLLAR HALF-ZINC-2 PER	140	2263455	SCREW #12-14 X 1/2" THR FRM [4.EA]
23	990-052	WASHER- NYLATRON	75 2263452	SCREW- 1/4-20X3/4 SHCP SS [2.EA]	141	2265126	BUMPER PAD, FOOT PEDAL [4.EA]
24	2316289	MOTOR ASSEMBLY 36V VARS TXT	76 2260283	CONTROL BOX COVER-MAX	142	2266610	DECAL-ON/OFF SWITCH
25	2032008	TUBE (COMP) W/4 HOLE	77 2372100	SCREW-8-18 X 5/8" THDT [4.EA]	143	2262535	CONTROL BOX-PLASTIC
■	1378132	PROPELLER KIT	78 2265663	DECAL COVER, MAXXUM 101	144	2267800	GEAR-INDICATOR [2.EA]
26	2331160	PROPELLER (W.WEDGE 2)	79 2260150	POINTER DISC TRNSLCNT	145	2262220	INDICATOR-DRIVE
27	2091701	WASHER-PROP (LARGE) MAX 101	80 2265800	DECAL-INDICATOR	146	2261905	BRACKET/INDICATOR
28	2093101	NUT-PROP (LARGE) MAX 101	81 2053414	SCREW-8-32 X 1/2" TRI-LOBE [3.EA]	147	2301310	SCREW-8-18 X 1/2" SS
29	2020713	TERMINAL- ADAPTOR MAX50/S	82 2267800	GEAR INDICATOR	148	2264015	LIGHT/INDICATOR
30	2335400	SHRINK TUBE 1/4ODX2"	83 2301310	SCREW-8-18 X 1/2" SS	149	2263802	STRAP- HOLD DOWN 30.5 VELCRO
31	2262658	PROP PIN	84 2355410	SHRINK TUBE-3/8 OD X 2" [2.EA]	■	2991550	CLAMP COLLAR ASSEMBLY
■	2991842	MOUNT, BOW ASSEMBLY W/O BGRD FW MAX	85 2232360	PULLEY-CABLE DRUM	150	2071550	CLAMP COLLAR "A"
32	2264246	ARM-UPPER FW LG	86 2261730	WASHER-NYLON A/T	151	2071555	CLAMP COLLAR "B"
33	2293501	BUSHING, STAINLESS STEEL [4.EA]	87 2996247	TOP BEARING RACE /PINION DRIVE ASSEMBLY	152	2072621	PIN-KNURLED
34	2263500	BOLT, SHOULDER [2.EA]	88 2223468	SCREW-8-32 X 7/16" ZINC PLATE [4.EA]	153	2070120	KNOB-CLAMP COLLAR
35	2774317	ARM-LOWER ASSEMBLY, LG, FW EXTR	89 2262607	PIN - CLEVIS ZP MAX BG	154	2073412	SCREW 1/4-28 X 2 3/4" SS
36	2263913	MOTOR REST LONG, MAXXUM	90 2260805	CLIP-SPRING ZP MAX BG	155	2071718	WASHER #10 NYLON RETAINING
37	2265514	DECAL- MOTOR REST [2.EA]	91 2150400	PULL-GRIP	156	2071716	WASHER - FLAT SS
38	2773986	BOWPLATE,LG FW /INSERT	92 2151700	WASHER-EYE SHAFT .562"	157	2073102	NUT - HEX 1/4 - 28 SS
39	2251601	ROPE 40" MAXXUM	93 2998200	CIRCUIT BREAKER ASSEMBLY 36V-101 [2.EA]	158	2071560	SPLIT COLLAR
40	2261708	WASHER-3/8 X 1/2 X.010" SS [2.EA]	94 2790002	FOOT PEDAL/PLUG ASSEMBLY	200	2075120	URETHANE PAD
41	2236000	BEARING NYLINER [2.EA]	95 2993702	PUSH-BUTTON MAGNET ASSEMBLY			
42	2152610	SPRING-PIN (LOCKBAR) [2.EA]	96 2302732	SPRING-LOWER PEDAL SS			
43	2233600	LOCK BAR- (BOW MOUNT)	97 2260810	CLIP, REED SWITCH			
44	2233602	LOCK BAR, REAR - ZINC	100 2260160	KNOB-SPEED CONTROL			
45	2152700	SPRING -LOCKBAR	101 2263000	E-RING TRU-ARC#5133-43			
46	2262703	SPRING STOP	102 2266413	TENSION SCREW PLATE FT			
47	2153604	EYE SHAFT -2LOCKBAR STD PLTD	103 2260511	PIN-PIVOT A/T FT PDL			
48	2260506	HINGE-PIN HEADLESS ZINC	104 2992102	FOOT PEDAL BASE/PIN ASSEMBLY			
49	2293811	YOKE, MAXXUM MOUNT POLYPROPYLENE	105 2262301	PULLEY FOOT PEDAL			
■	2994841	BAG ASSEMBLY- MAXXUM STABILIZER	106 2223430	SCREW- #8 X3/4" PPH TYPE 25 SS [4.EA]			
51	2262605	PIN- BWGRD UPPER THREADED ZP	109 2266401	COVER-PULLEY STAMPING			
52	9908236	WASHER 1/4 FLAT ZINC [2.EA]	110 2301310	SCREW-8-18 X 1/2" SS [2.EA]			
53	2223100	NUT-TENSION 5/16-18 SS [2.EA]	111 2224052	CONTROL BOARD ASSEMBLY- MAX101			
■	2772087	TUBE W/BEARING RACE ASSEMBLY	112 2263455	SCREW 10-32 X 1/2 [2.EA]			
54	2272087	TUBE OUTER -34" 4 HOLES	113 2261221	WIRE HARNESS MAX 101			
55	2266260	BEARING RACE- 565T	116 2267506	CABLE ASSEMBLY-RIGHT 8'			
56	2267307	BUSHING, OUTER TUBE	117 2267516	CABLE ASSEMBLY-LEFT 8'			
			118 2265432	CABLE JACKET 8'			
			119 2265110	BOOT-CONTROL BOX			

** Seal & Oring Kit P/N 2889460 * This item is part of an assembly. This item cannot be sold separately due to machining and /or assembly that is required.

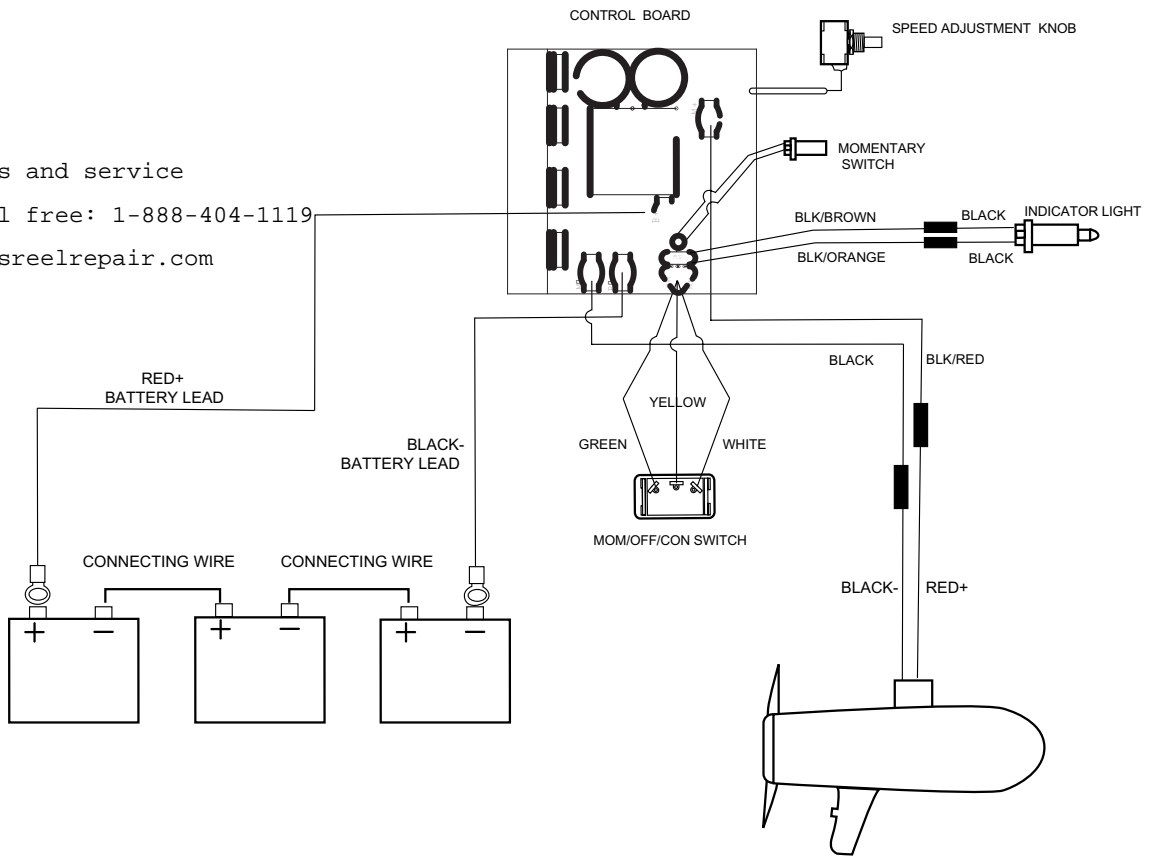
P/N2274970 REV.F 6-05

For parts and service

call toll free: 1-888-404-1119

www.mikesreelrepair.com

For parts and service
call toll free: 1-888-404-1119
www.mikesreelrepair.com



For parts and service
call toll free: 1-888-404-1119
www.mikesreelrepair.com