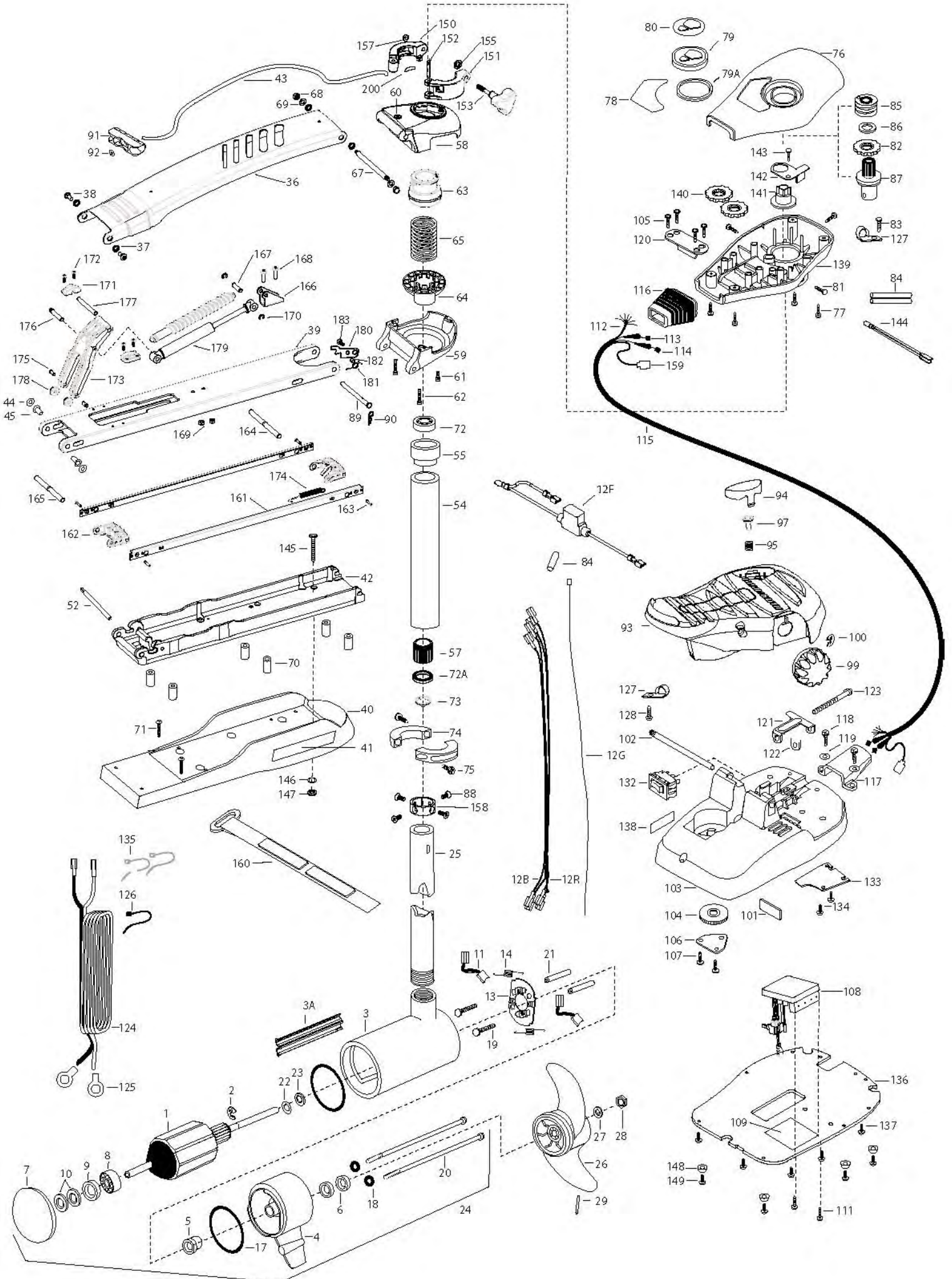


# MAXXUM PRO 80

80 lbs Thrust  
24 volt 56 amps  
52" & 62" SHAFT

for use with "J" serial numbers  
3-year warranty from the date of sale

For Parts and service  
Call 1-888-404-1119  
[www.mikesreelrepair.com](http://www.mikesreelrepair.com)

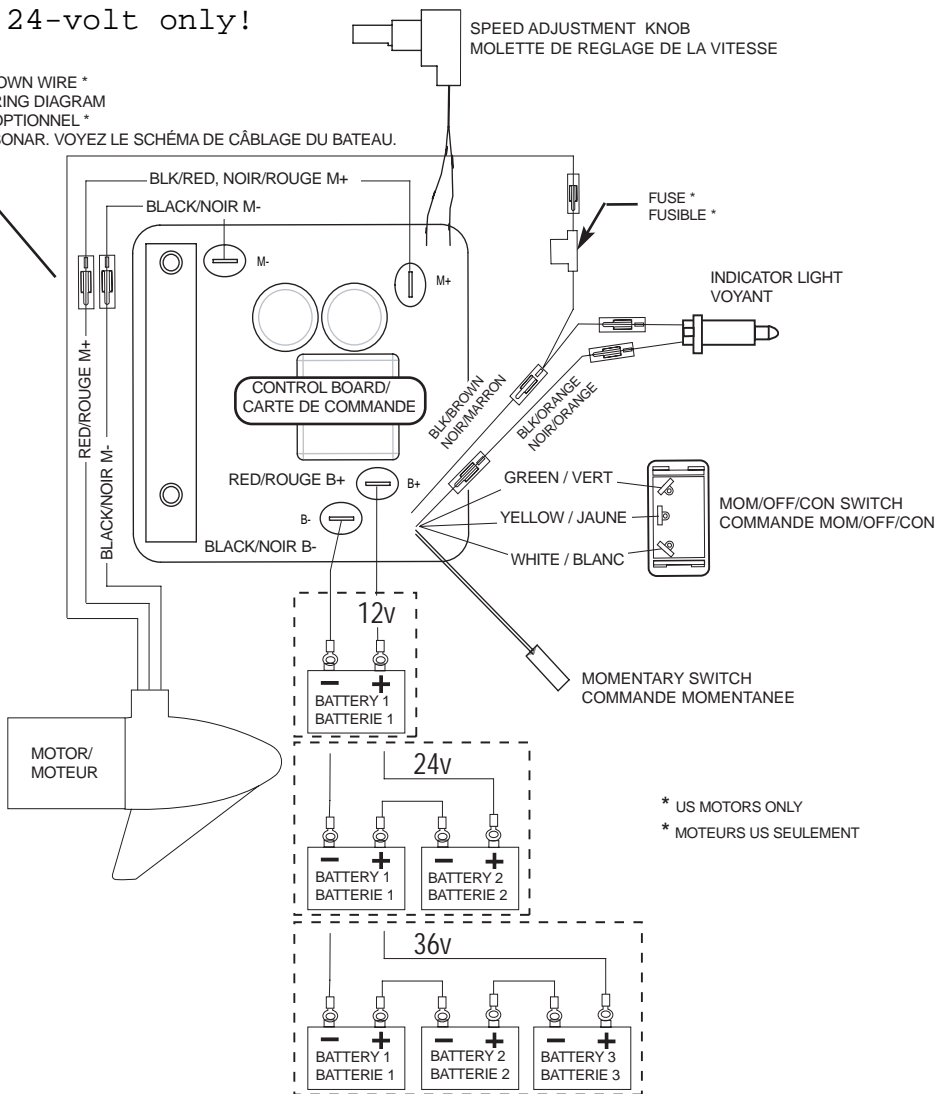


|     |           |  |     |         |                                    |      |         |                                   |
|-----|-----------|--|-----|---------|------------------------------------|------|---------|-----------------------------------|
| 1   | 2-100-214 | ARMATURE ASSEMBLY 24V 4"               |     | 2991762 | BOWGUARD ASSEMBLY-FT CTRL,MAX 62   | 122  | 2263104 | NYLOCK KEEPER                     |
| 2   | 788-040   | RETAINING RING                         | 58  | 2772319 | BRACKET BASE TOP/EYELET ASSEMBLY   | 123  | 2263466 | SCREW-1/4-20 X 2 STL PPH          |
| 3   | 2-200-160 | CENTER HOUSING ASSEMBLY 4.0 TXT        | 59  | 2771770 | BRKT BOTTOM/BEARING FW ASSEMBLY 62 | 124  | 2261233 | LEADWIRE VARIABLE                 |
| 3A  | 582-013   | CLIP, RETAINING, US2                   |     | 2991771 | BRKT BOTTOM/BEARING FW ASSEMBLY 52 | 125  | 2020700 | TERMINAL RING, 3/8 [2.EA]         |
| 4   | 2-300-160 | BRUSH END HOUSING ASSEMBLY             | 60  | 2772352 | EYELET KIT -ROPE                   | 126  | 2256300 | TIE WRAP-5.5 BLACK                |
| 5   | 144-017   | BEARING- FLANGE (SERVICE ONLY)         | 61  | 2263423 | SCREW 5/16-18 X 1 SHCS             | 127  | 2263201 | CLAMP WIRE HARNESS MICRO [2.EA]   |
| 6   | 880-025   | SEAL [2.EA]                            | 62  | 2263425 | SCREW 5/16-18 X 2-1/2 SHCS [2.EA]  | 128  | 2332103 | SCREW-6-20 X 3/8 THD SS           |
| 7   | 421-276   | PLAIN END HOUSING ASSEMBLY             | 63  | 2071541 | SPRING-SLEEVE UPPER                | 132  | 2254031 | SWITCH-MOM/OFF/CON                |
|     | 9421-285  | PLAIN END HOUSING ASSEMBLY US2 52"     | 64  | 2071535 | SPRING SLEEVE, LOWER               | 133  | 2266412 | SWITCH PLATE, PT PEDAL            |
|     | 9421-286  | PLAIN END HOUSING ASSEMBLY US2 62"     | 65  | 2262712 | SPRING, BOWGUARD, FC PAINTED       | 134  | 2332103 | SCREW-6-20 X 3/8 THD SS [2.EA]    |
| 8   | 140-010   | BALL BEARING                           | 67  | 2262605 | PIN- THREADED ZP                   | 135  | 2256301 | TIE WRAP-5.5 WHITE [2.EA]         |
| 9   | 990-045   | THRUST SPACER                          | 68  | 2223100 | NUT - NYLOC SS [2.EA]              | 136  | 2264511 | BOTTOM PLATE, MAXXUM PT           |
| 10  | 992-010   | SPRING WASHER [2.EA]                   | 69  | 2261722 | WASHER [2.EA]                      | 137  | 2372100 | SCREW-8 X 1/2 SS [5.EA]           |
| 11  | 186-094   | BRUSH [2.EA]                           | 70  | 2994832 | BAG ASSEMBLY                       | 138  | 2266610 | DECAL-ON/OFF SWITCH               |
| 12B | 640-024   | LEADWIRE-BLACK 10 AWG 79"              | *70 | 2261505 | SPACER, MOTOR REST [6.EA]          | 139  | 2262535 | CONTROL BOX-PLASTIC               |
| 12R | 640-131   | LEADWIRE-RED 10 AWG 80 1/2"            | *71 | 2263434 | SCREW, 8-18 X 1 PPH SS [2.EA]      | 140  | 2267800 | GEAR-INDICATOR [2.EA]             |
| 12G | 640-316   | GROUND WIRE 52" 9 (US MODELS ONLY)     | 72  | 2266000 | BEARING, BALL-STEEL                | 141  | 2262220 | INDICATOR-DRIVE                   |
|     | 640-317   | GROUND WIRE 62" (US MODELS ONLY)       | 72A | 2266116 | BEARING, CARTRIDGE                 | 142  | 2261905 | BRACKET/INDICATOR                 |
| 12F | 2218200   | FUSE HOLDER (US MODELS ONLY)           | 73  | 2266001 | BEARING, SPLIT RING                | 143  | 2301310 | SCREW-8-18 X 1/2 SS               |
| 13  | 738-040   | BRUSH PLATE 4"                         | 74  | 2261622 | COLLAR HALF-PAINTED-2 PER- KIT     | 144  | 2264015 | LIGHT/INDICATOR                   |
| 14  | 975-041   | SPRING- TORSION [2.EA]                 | 75  | 2263453 | SCREW-1/4-20 X 3/4 SHCS SS [2.EA]  | 145  | 2994830 | BAG ASSEMBLY-MAXXUM               |
| 17  | 701-009   | O-RING —THRU BOLT [2.EA]               | 76  | 2260283 | CONTROL BOX COVER-MAXXUM           | *145 | 2263431 | SCREW 1/4-20 X 3.5 PPH [6.EA]     |
| 18  | 701-043   | O-RING [2.EA]                          | 77  | 2372100 | SCREW-8-18 X 5/8 THD [4.EA]        | *146 | 2261713 | WASHER-1/4 FLAT S/S [6.EA]        |
| 19  | 830-027   | SCREW -SELF THREAD 10-32X2 [2.EA]      | 78  | 2265641 | DECAL COVER, MAXXUM 80             | *147 | 2263103 | NUT-1/4-20 NYLOCK-JAM [6.EA]      |
| 20  | 830-094   | THRU BOLT 12-24X10.31 [2.EA]           |     | 2265692 | DECAL COVER, MAXXUM 80-US2         | 148  | 2265126 | BUMPER [4.EA]                     |
| 21  | 973-025   | SPACER- BRUSH PLATE [2.EA]             | 79  | 2260150 | POINTER DISC TRNSLCNT RED          | 149  | 2263455 | SCREW #12 [4.EA]                  |
| 22  | 990-051   | WASHER- STEEL                          | 79A | 2261733 | WASHER-FOAM, INDICATOR             | 150  | 2991556 | CLAMP COLLAR ASSEMBLY             |
| 23  | 990-052   | WASHER- NYLATRON                       | 80  | 2265800 | DECAL-INDICATOR                    | 150  | 2071550 | CLAMP COLLAR "A"                  |
| 24  | 2316217   | MOTOR ASSEMBLY 24V 4" VARS 52" TXT     | 81  | 2053414 | SCREW-#8-32 X 1/2 TRI-LOBE [3.EA]  | 151  | 2071555 | CLAMP COLLAR "B"                  |
|     | 2316219   | MOTOR ASSEMBLY 24V 4" VARS 62" TXT     | 82  | 2267800 | GEAR-INDICATOR                     | 152  | 2072621 | PIN-KNURLED                       |
|     | 2326221   | MOTOR ASSEMBLY 24V 4" VARS 52" SONAR 2 | 83  | 2372100 | SCREW-8-18 X 5/8 SS                | 153  | 2281505 | KNOB-CLAMP COLLAR                 |
|     | 2326222   | MOTOR ASSEMBLY 24V 4" VARS 62" SONAR 2 | 84  | 2355410 | SHRINK TUBE-3/8 OD X 2- [3.EA]     | 155  | 2071718 | WASHER #10 NYLON RETAINING        |
| 25  | 2032007   | TUBE COMP W/4 HOLE 62"                 | 85  | 2232360 | PULLEY-CABLE DRUM                  | 157  | 2073102 | NUT - HEX 1/4 - 28 SS             |
|     | 2032006   | TUBE COMP W/4 HOLE 52"                 | 86  | 2261730 | WASHER-NYLON                       | 158  | 2071560 | SPLIT COLLAR                      |
|     | 2032005   | TUBE COMP W/4 HOLE 48"                 | 87  | 2996247 | PINION/RACE ASSEMBLY               | 159  | 2211410 | EXTENSION CABLE- US2              |
| ■   | 1378132   | PROPELLER KIT                          | 88  | 2223468 | SCREW-8-32 X 7/16 ZN PL [4.EA]     | 160  | 2263804 | STRAP - VELCRO 30.5"              |
| 26  | 2331160   | PROPELLER W/WEDGE 2                    | 89  | 2262607 | PIN- CLEVIS ZP                     | 161  | 2263615 | TIE RAIL LONG [2 EA.]             |
| 27  | 2091701   | WASHER-PROP LARGE                      | 90  | 2260800 | SPRING CLIP SS                     | 162  | 2262645 | LATCH PIN HOLDER [2 EA.]          |
| 28  | 2093101   | NUT-PROP NYLOCK SS                     | 91  | 2150400 | PULL-GRIP                          | 163  | 2263456 | SCREW #8 - 3/4" BTFH SS [4 EA.]   |
| 29  | 2262658   | PIN-DRIVE SS                           | 92  | 2151700 | WASHER-EYE SHAFT .562 OD           | 164  | 2262661 | LATCH PIN, GROOVED FRONT SS       |
| ■   | 2991742   | MOUNT,BOW ASSEMBLY, FW 62"             | 93  | 2994496 | FOOT PEDAL/PLUG ASSEMBLY           | 165  | 2262663 | LATCH PIN, GROOVED REAR SS        |
|     | 2991741   | MOUNT,BOW ASSEMBLY, FW 52"             | 94  | 2993705 | PUSH BUTTON / MAGNET ASSEMBLY      | 166  | 2261990 | BRACKET, CYLINDER FRONT           |
| 36  | 2264255   | ARM UPPER-FW LONG                      | 95  | 2302732 | SPRING-LOWER PEDAL SS              | 167  | 2262665 | PIN, FRONT SHOCK MOUNT            |
| 37  | 2293501   | BUSHING, STAINLESS STEEL [4.EA]        | 97  | 2260810 | CLIP, REED SWITCH                  | 168  | 2332104 | SCREW 1/4-20 X 5/8" PH SS [2 EA.] |
| 38  | 2263500   | BOLT, SHOULDER MAXXUM [2.EA]           | 99  | 2280115 | KNOB-SPEED CONTROL VAR             | 169  | 2073100 | 1/4-20" NUT SS [2 EA.]            |
| ■   | 2774335   | LOWER ARM ASSEMBLY, LONG,FW            | 100 | 2263000 | E-RING TRU-ARC#5133-43             | 170  | 2263006 | E-CLIP [2 EA.]                    |
| 39  | 2264335   | ARM-LOWER ASSEMBLY, LG,FW,EXT          | 101 | 2266413 | PLATE -TENSION SCREW FTPED.        | 171  | 2261995 | BRACKET REAR [2 EA.]              |
| 40  | 2263913   | MOTOR REST LONG MAXXUM                 | 102 | 2260511 | PIN-PIVOT A/T PT PDL               | 172  | 2223454 | SCREW #10-32 X 1/2" PH SS [4 EA.] |
| 41  | 2265508   | DECAL-MAXXUM,MOTOR REST [2.EA]         | 103 | 2774550 | FT PEDAL BASE/PIN ASSEMBLY         | 173  | 2261545 | YOKE-GAS ASSIST                   |
| 42  | 2773986   | BOWPLATE- FW LG MACH/INSERT            | 104 | 2262301 | PULLEY- FOOT PEDAL                 | 174  | 2262722 | SPRING EXTENSION                  |
| 43  | 2251601   | ROPE 40" MAXXUM MOUNT                  | 105 | 2223430 | SCREW #8X3/4 PPH TYPE 25 SS [4.EA] | 175  | 2262635 | PIN ROLLER SS [2 EA.]             |
| 44  | 2261708   | WASHER-3/8X1/2X.010 SS [2.EA]          | 106 | 2266400 | COVER-PULLEY STAMPING              | 176  | 2262667 | PIN-KNURLED SS                    |
| 45  | 2267318   | BEARING NYLINER [2.EA]                 | 107 | 2301310 | SCREW-8-18 X 1/2 SS [2.EA]         | 177  | 2262669 | PIN-YOKE PIVOT SS                 |
| 46  | 2152610   | SPRING-PIN LOCKBAR [2.EA]              | 108 | 2264054 | CONTROL BOARD ASSEMBLY 24V MAX     | 178  | 2262320 | ROLLER YOKE [2 EA.]               |
| 47  | 2233600   | LOCK BAR- BOW MOUNT                    | 109 | 2365107 | INSULATING PAD 2.3 X 3.2           | 179  | 2998431 | CYLINDER/SHOCK BOOT ASSEMBLY      |
| 48  | 2233602   | LOCK BAR- REAR ZINC                    | 111 | 2263455 | SCREW, 10-32 X 1/2 [2.EA]          | 180  | 2262670 | LATCH PIN STOP LEVER              |
| 49  | 2152700   | SPRING-LOCKBAR CAD.PLT                 | 112 | 2261220 | WIRE HARNESS AT & MAX 82.5         | 181  | 2262723 | SPRING, MAXXUM PRO                |
| 50  | 2262703   | SPRING STOP                            | 113 | 2267505 | CABLE ASSEMBLY-RIGHT 5'            | 182  | 2301700 | SPACER-RELEASE LEVER BRASS        |
| 51  | 2153604   | EYE SHAFT-2LOCKBAR LG-PLTD             | 114 | 2267515 | CABLE ASSEMBLY-LEFT 5'             | 183  | 2332104 | SCREW 1/4-20 X 5/8" SS            |
| 52  | 2260506   | HINGE-PIN HEADLESS ZINC                | 115 | 2265430 | CABLE JACKET 5'                    | 200  | 2075120 | URETHANE PAD                      |
| ■   | 2772088   | TUBE W/BEARING RACE ASSEMBLY 28.5"     | 116 | 2265110 | BOOT-CONTROL BOX                   |      |         |                                   |
|     | 2772086   | TUBE W/BEARING RACE ASSEMBLY 24"       | 117 | 2265115 | BOOT-FOOT PEDAL BASE               |      |         |                                   |
| 54  | 2272088   | TUBE OUTER 28.5" 62"                   | 118 | 2372100 | SCREW-8-18 X 5/8 THD SS [2.EA]     |      |         |                                   |
|     | 2272086   | TUBE OUTER 24" 48"-52"                 | 119 | 2261714 | WASHER-MAXXUM PT PDL [2.EA]        |      |         |                                   |
| 55  | 2262620   | BEARING RACE-(565T)                    | 120 | 2261901 | BRACKET-CONDUIT AT/MAX             |      |         |                                   |
| 57  | 2267307   | BUSHING, OUTER TUBE                    | 121 | 2263210 | BRACKET-CONDUIT ADJUSTMENT         |      |         |                                   |
| ■   | 2991763   | BOWGUARD ASSEMBLY-FT CTRL,MAX 62       |     |         |                                    |      |         |                                   |

2889460 Seal & Oring Kit

Max 80 is 24-volt only!

OPTIONAL BROWN WIRE \*  
SEE BOAT WIRING DIAGRAM  
FIL MARRON OPTIONNEL \*  
ÉQUIPÉS DE SONAR. VOYEZ LE SCHÉMA DE CÂBLAGE DU BATEAU.



\* US MOTORS ONLY  
\* MOTEURS US SEULEMENT

