

MAXXUM 74 (& SONAR) - 52" & 62"

74 lbs Thrust

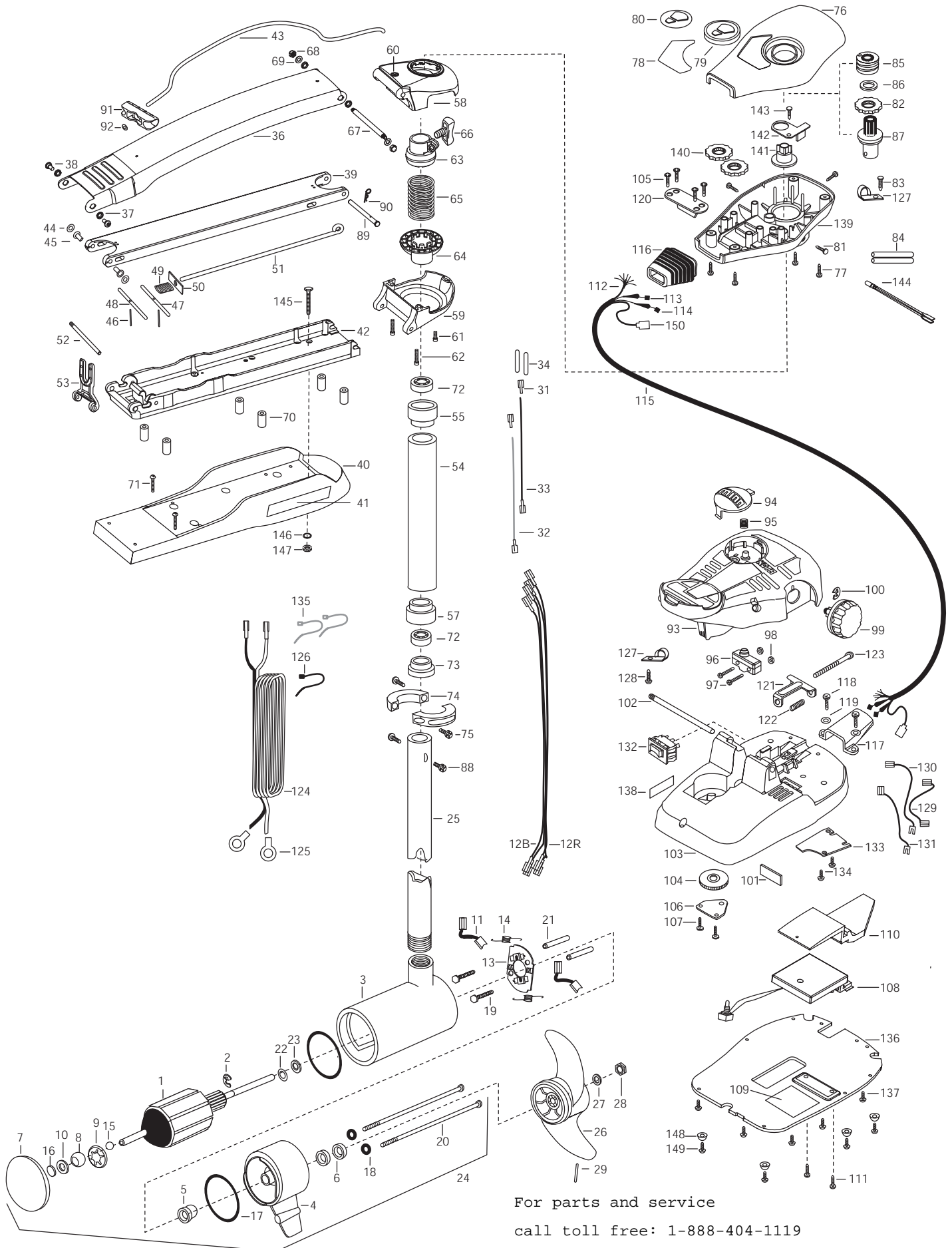
24 volt

48", 52" & 62" SHAFT

For parts and service

call toll free: 1-888-404-1119

www.mikesreelrepair.com



For parts and service

call toll free: 1-888-404-1119

www.mikesreelrepair.com

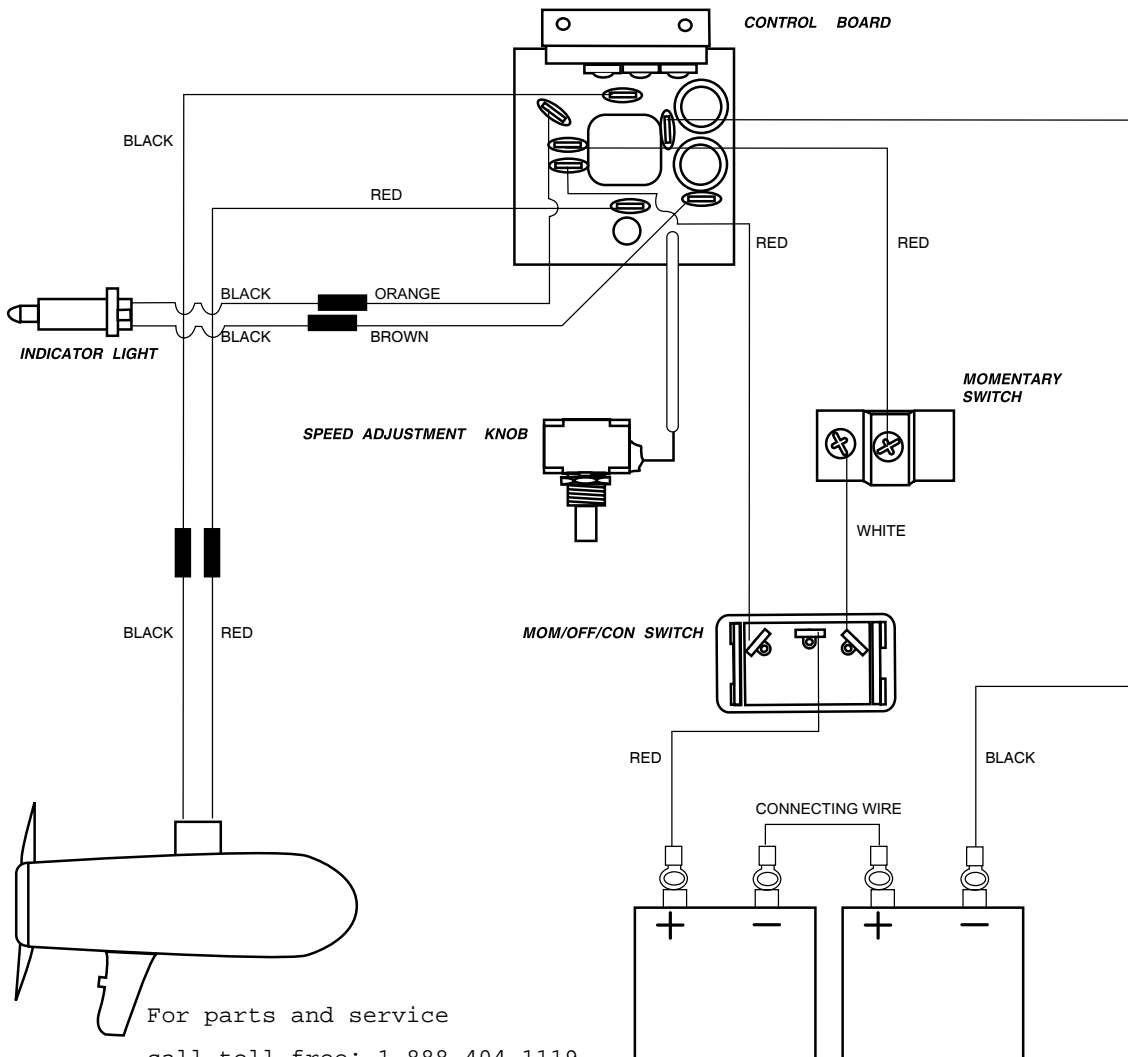
1	2-100-103	ARMATURE ASSEMBLY 24V 4"	47	2233600	LOCK BAR- BOW MOUNT	96	2264023	SWITCH-SEALED ASSEMBLY
2	788-040	RETAINING RING	48	2233602	LOCK BAR- REAR ZINC	97	2262114	SCREW-MOUNTING/SWITCH [2.EA]
3	431-160	CENTER HOUSING ASSEMBLY 4.0 TXT	49	2152700	SPRING-LOCKBAR CAD.PLT	98	2233100	NUT-SWITCH MOUNT [2.EA]
	92-200-170	CENTER HOUSING ASSEMBLY 4.0- SONAR	50	2262703	SPRING STOP	99	2260160	KNOB-SPEED CONTROL VAR
4	2-300-160	BRUSH END HOUSING ASSEMBLY	51	2153604	EYE SHAFT-2LOCKBAR LG-PLTD	100	2263000	E-RING TRU-ARC#5133-43
5	144-017	BEARING- FLANGE (SERVICE ONLY)	52	2260506	HINGE-PIN HEADLESS ZINC	101	2266413	PLATE -TENSION SCREW FTPEd.
6	880-025	**SEAL [2.EA]	53	2293811	YOKE,MAX MNT-POLYPROPYLENE	102	2260511	PIN-PIVOT A/T PT PDL
7	2-400-160	PLAIN END HOUSING ASSEMBLY	■	2772014	TUBE W/BEARING RACE ASSEMBLY 34"	103	2774550	FT PEDAL BASE/PIN ASSEMBLY
	92-400-170	PLAIN END HOUSING ASSEMBLY 52" SONAR		2772016	TUBE W/BEARING RACE ASSEMBLY 24"	104	2262301	PULLEY- FOOT PEDAL
	92-400-171	PLAIN END HOUSING ASSEMBLY 62" SONAR	54	2272068	TUBE OUTER 34" 62	105	2223430	SCREW #8X3/4 PPH TYPE 25 SS [4.EA]
8	144-021	BEARING SPHERICAL		2272067	TUBE OUTER 24" 48"-52"	106	2266400	COVER-PULLEY STAMPING
9	784-025	BEARING RETAINER	55	2266260	BEARING RACE-(565T)	107	2301310	SCREW-8-18 X 1/2 SS [2.EA]
10	991-040	WASHER- FELT	57	2266220	BEARING RACE-STEEL	108	2264008	CONTROL BOARD ASSEMBLY 24V MAX
11	186-094	BRUSH [2.EA]	■	2991867	BOWGUARD ASSEMBLY-FT CTRL,MAX 62	109	2365107	INSULATING PAD 2.3 X 3.2
12B	640-017	LEADWIRE-BLACK 10 AWG 61 XLP		2991869	BOWGUARD ASSEMBLY-FT CTRL,MAX 52	110	2264018	HEAT SINK, MACH, MAX PT
12R	640-121	LEADWIRE-RED 10 AWG 62 1/2	58	2772315	BRACKET BASE TOP/EYELET ASSEMBLY	111	2263447	SCREW, 8-32 X 1 [2.EA]
13	738-040	BRUSH PLATE 4"	59	2771993	BRKT BOTTOM/BEARING FW ASSEMBLY 62	112	2261219	WIRE HARNESS AT & MAX 82.5
14	975-041	SPRING- TORSION [2.EA]		2991999	BRKT BOTTOM/BEARING FW ASSEMBLY 52	113	2267500	CABLE ASSEMBLY-RIGHT 5'
15	116-025	BALL- STEEL	60	2772352	EYELET KIT -ROPE	114	2267510	CABLE ASSEMBLY-LEFT 5'
16	303-043	THRUST DISC- METAL	61	2263402	SCREW 1/4-20 X 3/4 ZINC	115	2265430	CABLE JACKET 5'
17	701-043	**O-RING [2.EA]	62	2263404	SCREW-1/4-20X2-1/4 SHCP [2.EA]	116	2265110	BOOT-CONTROL BOX
18	701-009	**O-RING-THRU BOLT [2.EA]	63	2261525	SPRING-SLEEVE UPPER	117	2265115	BOOT-FOOT PEDAL BASE
19	830-027	SCREW -SELF THREAD 10-32X2 [2.EA]	64	2261535	SPRING SLEEVE, LOWER	118	2372100	SCREW-8-18 X 5/8 THD SS [2.EA]
20	830-094	THRU BOLT 12-24X10.31 [2.EA]	65	2262712	SPRING, BOWGUARD, FC PAINTED	119	2261714	WASHER-MAXXUM PT PDL [2.EA]
21	973-025	SPACER- BRUSH PLATE [2.EA]	66	2011365	SCREW-COLLAR/NEW KNOB	120	2261901	BRACKET-CONDUIT AT/MAX
22	990-051	WASHER- STEEL	67	2262605	PIN- THREADED	121	2263210	BRACKET-CONDUIT ADJUSTMENT
23	990-052	WASHER- NYLATRON	68	2263100	NUT - NYLOC SS [2.EA]	122	2262720	SPRING-CONDUIT AD
24	2317033	MOTOR ASSEMBLY 24V 4" VARS TXT	69	9908236	WASHER ZN PL [2.EA]	123	2263466	SCREW-1/4-20 X 2 STL PPH
	2327033	MOTOR ASSEMBLY 24V 4" VARS 52" SONAR	■	2994832	BAG ASSEMBLY	124	2261227	LEADWIRE VARIABLE
	2337038	MOTOR ASSEMBLY 24V 4" VARS 62" SONAR	*70	2261505	SPACER, MOTOR REST [6.EA]	125	2020700	TERMINAL RING, 3/8 [2.EA]
25	2032066	TUBE COMP W/CSK HOLE 62"	*71	2263434	SCREW, 8-18 X 1 PPH SS [2.EA]	126	2256300	TIE WRAP-5.5 BLACK
	2032067	TUBE COMP W/CSK HOLE 52"	72	2266000	BEARING BALL-STEEL	127	2263201	CLAMP WIRE HARNESS MICRO [2.EA]
	2032064	TUBE COMP W/CSK HOLE 48"	73	2266115	BEARING CONE	128	2332103	SCREW-6-20 X 3/8 THD SS
■	1378129	PROPELLER KIT	74	2261622	COLLAR HALF-PAINTED-2 PER- KIT	129	2260316	CONNECTING WIRE VAR.SPD
26	2331120	PROPELLER W/WEDGE HP&RT	75	2263453	SCREW-1/4-20 X 3/4 SHCS SS [2.EA]	130	2260312	WIRE,BLK W/WHT STRP 19 1/4
27	2091701	WASHER-PROP LARGE	76	2260283	CONTROL BOX COVER-MAXXUM	131	2260323	WIRE,BLK W/GRN STP VARIABLE
28	2093101	NUT-PROP NYLOCK SS	77	2372100	SCREW-8-18 X 5/8 THD [4.EA]	132	2254031	SWITCH-MOM/OFF/CON
29	2092600	PIN-DRIVE SS	78	2265532	DECAL COVER, MAXXUM 74	133	2266412	SWITCH PLATE, PT PEDAL
31	2030710	CONNECTOR BUTT [2.EA]	79	2260150	POINTER DISC TRNSLCNT RED	134	2332103	SCREW-6-20 X 3/8 THD SS [2.EA]
32	2030317	62" WIRE EXTENSION-18 RED	80	2265800	DECAL-INDICATOR	135	2256301	TIE WRAP-5.5 WHITE [2.EA]
33	2030316	ONLY WIRE EXTENSION-18 BLACK	81	2053414	SCREW-#8-32 X 1/2 TRI-LOBE [3.EA]	136	2264510	BOTTOM PLATE, MAXXUM PT
34	2375400	SHRINK TUBE 1/4ODX1-3/4 [2.EA]	82	2267800	GEAR-INDICATOR	137	2372100	SCREW-8 X 1/2 SS [5.EA]
■	2771864	MOUNT,BOW ASSEMBLY, FW 62 W/BG	83	2301310	SCREW-8-18 X 1/2 SS	138	2266610	DECAL-ON/OFF SWITCH
	2771869	MOUNT,BOW ASSEMBLY, FW 52 W/BG	84	2355410	SHRINK TUBE-3/8 OD X 2- [2.EA]	139	2262535	CONTROL BOX-PLASTIC
36	2264246	ARM UPPER-FW LONG	85	2232360	PULLEY-CABLE DRUM	140	2267800	GEAR-INDICATOR [2.EA]
37	2293501	BUSHING, STAINLESS STEEL [4.EA]	86	2261730	WASHER-NYLON	141	2262220	INDICATOR-DRIVE
38	2263500	BOLT, SHOULDER MAXXUM [2.EA]	87	2776204	PINION/RACE ASSEMBLY	142	2261905	BRACKET/INDICATOR
39	2774317	ARM-LOWER ASSEMBLY,LG,FW,EXT	88	2263410	SCREW-8-32 X 5/16 ZN PL [2.EA]	143	2301310	SCREW-8-18 X 1/2 SS
40	2263913	MOTOR REST LONG MAXXUM	89	2262607	PIN- CLEVIS ZN	144	2264015	LIGHT/INDICATOR
41	2265514	DECAL-MAXXUM,MOTOR REST [2.EA]	90	2260801	SPRING CLIP ZN	■	2994830	BAG ASSEMBLY-MAXXUM
42	2773986	BOWPLATE- FW LG MACH/INSERT	91	2150400	PULL-GRIP	*145	2263431	SCREW 1/4-20 X 3.5 PPH [6.EA]
43	2251601	ROPE 40" MAXXUM MOUNT	92	2151700	WASHER-EYE SHAFT .562 OD	*146	2261713	WASHER-1/4 FLAT S/S [6.EA]
44	2261708	WASHER-3/8X1/2X.010 SS [2.EA]	93	2790002	FOOT PEDAL/PLUG ASSEMBLY	*147	2263103	NUT-1/4-20 NYLOCK-JAM [6.EA]
45	2236000	BEARING NYLINER- [2.EA]	94	2263700	PUSH-BUTTON FOOT PEDAL	148	2265126	BUMPER [4.EA]
46	2152610	SPRING-PIN LOCKBAR [2.EA]	95	2302732	SPRING-LOWER PEDAL SS	149	2263455	SCREW #12 [4.EA]
						150	2211400	EXTENSION CABLE- SONAR

**Seal & Oring Kit P/N 2889460

* This item is part of an assembly. This item cannot be sold separately due to machining and /or assembly that is required.

P/N 2264946 REV.E 6-02

MAXXUM 74 Wiring Diagram



For parts and service
call toll free: 1-888-404-1119

www.mikesreelrepair.com