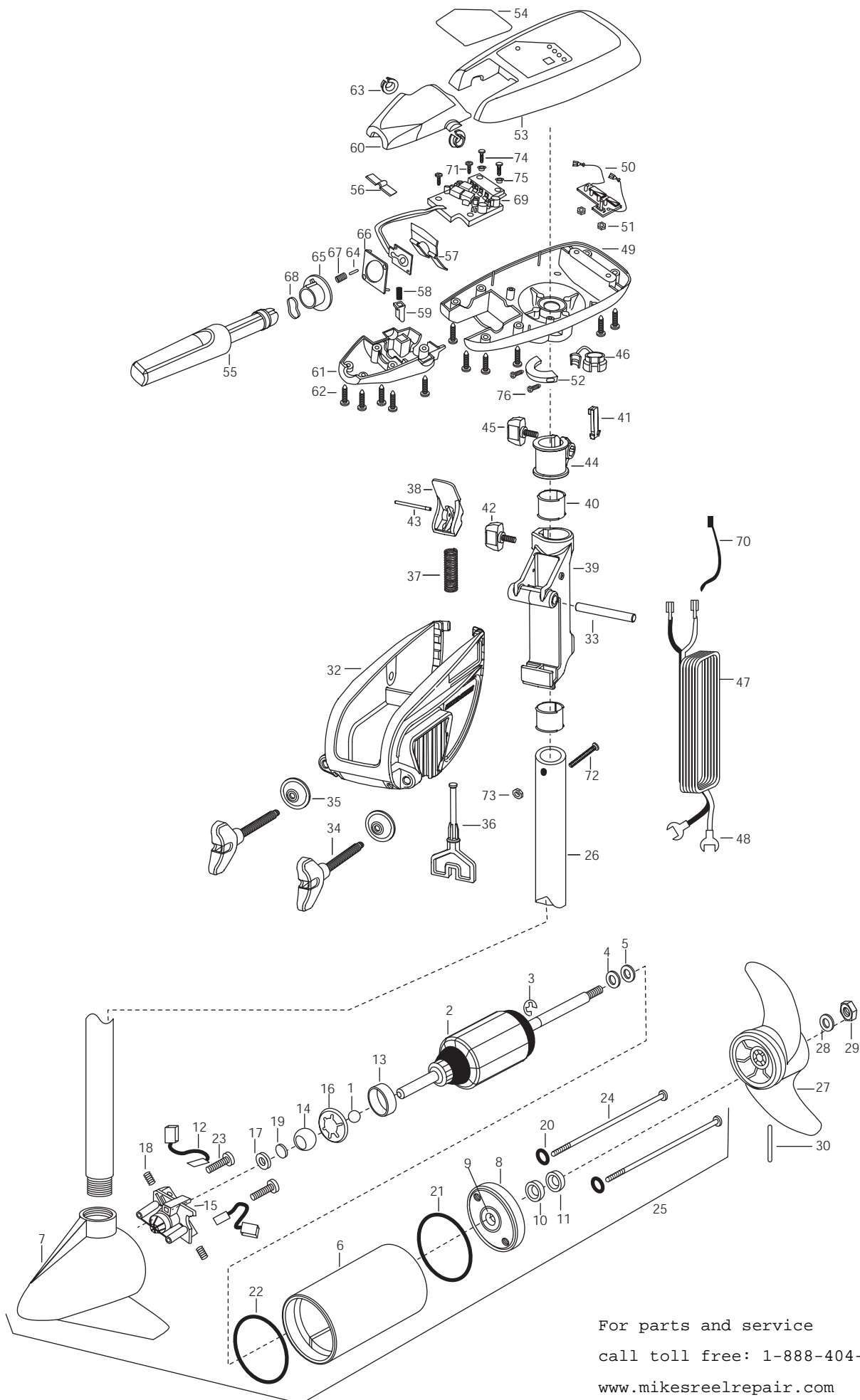


MAXXUM 40T
12 VOLT
40 LBS. THRUST
36" OR 42" SHAFT

For parts and service
call toll free: 1-888-404-1119
www.mikesreelrepair.com



For parts and service
call toll free: 1-888-404-1119
www.mikesreelrepair.com

1	116-020	BALL- STEEL	38	2067201	LEVER TILT BLACK
2	2-100-001	ARM ASSEMBLY 12V 3.25 40#	39	2061810	HINGE PLASTIC
3	788-015	RETAINING RING	40	2037301	BUSHING HINGE [2.EA]
4	990-067	WASHER- STEEL THRUST	41	2062800	TENSION BLOCK "SNAP IN
5	990-070	WASHER- NYLATRON [2.EA]	42	2011385	SCREW TENSION/NEW KNOB
6	2-200-079	HOUSING ASSEMBLY CENTER 3.25 TXT	43	2060515	PIN, TILT LEVER
7	421-132	HOUSING BRUSH END 3.25 TXT	44	2061520	COLLAR DEPTH
8	2-400-127	PLAIN END HOUSING ASSEMBLY 3.25	45	2011365	SCREW COLLAR/NEW KNOB
9	144-049	BEARING- FLANGE	46	2052900	STRAIN RELIEF C.CORD/SP.C
10	880-003	**SEAL	47	2050609	LEADWIRE-10 GA SPADE TERM
11	880-006	**SEAL WITH SHIELD	48	2020702	SPADE TERMINAL 10GA. [2.EA]
12	188-052	BRUSH ASSEMBLY [2 REQ'D]	49	2062592	CONTROL BOX FW .725 BORE ZIN
13	725-033	BRUSH RETENTION	50	2034035	BATTERY GAUGE 12 VOLTS
14	144-050	BEARING- SPHERICAL	51	2303120	SPEED NUT [2.EA]
15	737-031	BRUSH PLATE W/HOLDER 3.25 ASSEMBLY INCLUDES 6, 9, 10, 13	52	2061515	COLLAR CTRL BOX FRS WTR
16	784-036	BEARING RETAINER	53	2260290	CONTROL BOX COVER BLK W/PRINT
17	991-025	WASHER- FELT	54	2065621	DECAL- COVER MAX 40T TRANS
18	975-032	SPRING- COMPRESSION [2.EA]	55	2990914	HANDLE ASSEMBLY W/O U-JOINT
19	303-039	THRUST DISC- METAL	56	2302742	SPRING DETENT (OFF)
20	701-007	**O-RING [2. EA]	57	2302743	SPRING DETENT HANDLE TILT
21	701-039	**O-RING MK406460	58	2302745	SPRING RELEASE BUTTON
22	701-041	**O-RING	59	2303720	RELEASE BUTTON HANDLE
23	830-001	SCREW - SELF-THREAD 8-32X1.7 [2.EA]	60	2060409	HANDLE- TOP HALF MAXIMIZE
24	830-078	THRU BOLT 8-32X8.96 [2. EA]	61	2060415	HANDLE- LOWER HALF
25	2068051	MTR ASSEMBLY 12V 3.25 VARS TXT	62	2303412	SCREW- 6-20X5/8 SELF TAP [11.EA]
26	2032052	TUBE (COMPOSITE) 36	63	2060005	BEARING HANDLE PIVOT [2.EA]
	2032053	TUBE (COMPOSITE) 42	64	2302600	PIN ACTUATOR
■	1378126	PROPELLER KIT	65	2302850	ACTUATOR CAM
27	2061125	PROPELLER W/WEDGE	66	2302851	ACTUATOR FWD/REV
28	2151726	WASHER-5/16 STD SS	67	2302740	SPRING- ACTUATOR
29	2053101	NUT-PROP NYLOC	68	2302741	SPRING- CAM ZNC PLTD STEEL
30	2092600	PIN-DRIVE (SS)	69	2194000	CONTROL BOARD ASSEMBLY
■	2771818	BRACKET & HINGE ASSEMBLY- INCLUDES 32- 43	70	2256300	TIE WRAP 5.5" BLACK
■	2771910	BRACKET ASSEMBLY- INCLUDES 32,33,34	71	2372100	SCREW- #8-18X5/8 THD SS [2.EA]
*32	2061910	BRACKET-PLASTIC	72	2383407	SCREW- #10-24X2 PPH ZINC
33	2060510	PIN-HINGE	73	2383124	NUT- 10-24 NYLOCK ZINC
■	2881300	SCREW CLAMP, WASHER, RETAINER KIT [2.EA]	74	2301310	SCREW- #8 18 X 1/2 SS [2. EA]
*34	2061300	SCREW CLAMP [2.EA]	75	2301710	WASHER INSUL. TRANSF.BAR [2.EA]
*35	2011710	WASHER- CLAMP SCREW 1.5 OD [2.EA]	76	2223430	SCREW #8X3/4 PPH TYPE 25 SS [2.EA]
36	2063605	T BAR- PLASTIC			
37	2062706	SPRING- T BAR			

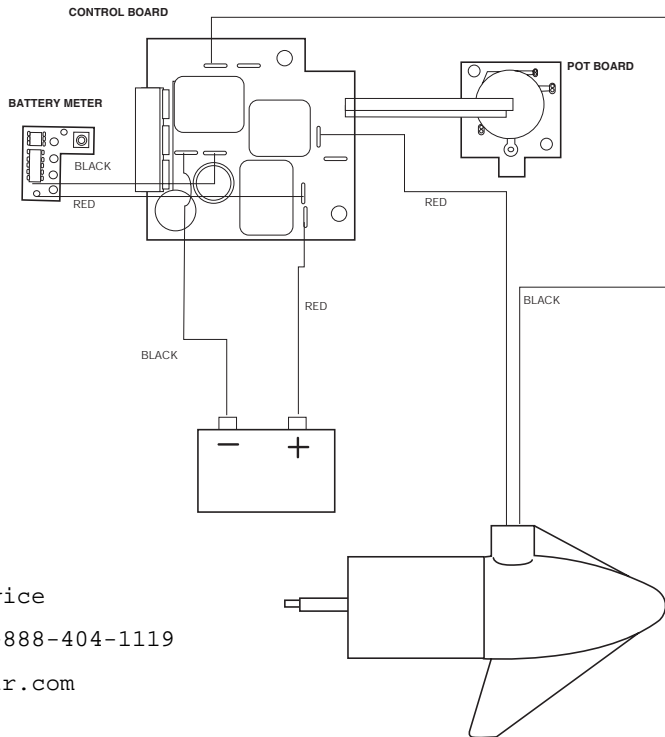
****Seal & Oring Kit P/N 2883460**

* This item is part of an assembly. This item cannot be sold separately due to machining and /or assembly that is required.

P/N 2034947 REV. D 10-01

For parts and service
call toll free: 1-888-404-1119
www.mikesreelrepair.com

MAX 40T Wiring Diagram



For parts and service

call toll free: 1-888-404-1119

www.mikesreelrepair.com