

NOTE:  
 WIRING DIAGRAM  
 DRAWING #339-8101

1	3392505	FRAME - LARGE WHITE (LEXAN)
2	4427005	NOSE DECAL MAGNUM
3	9040040	HOOK - 1/4" - 20 ROLLED
4	2263102	NUT - HEX 1/4"-20
5	9280750	SCREW - 1/4" - 20 (RH) x 3/4" PPH
6	0849615	BASE LOCK KNOB
7	9040340	BOLT - 3/8"-16 X 1-1/2" HEX
8	9010001	BEARING - REEL SHAFT NYLINER [2.EA]
9	9430210	WASHER - 1-1/16" OD X 7/8" ID (NYLON)
10	3320011	DEPTH COUNTER - 3 DIGIT (METRIC)
11	3333010	COUNTER GEAR (METRIC)
12	0854654	COUNTER CUSHION/STOPPER [2.EA]
13	3397916	REEL ASSEMBLY - TS ELECTRIC (METRIC)
14	3333011	>GEAR REEL (METRIC)
15	3397902	▶ REEL - 3.75" SS
16	1459666	REEL MAGNET [2.EA]
17	1480071	SHAFT - REEL
18	9340131	SCREW - SET 5/16"-18 x 1-3/4" (REEL)
19	3775397	SPOOL CABLE SS [400.FT]
20	9100070	CABLE LEADER SLEEVE [2.EA]
21	3396534	MOTOR HOUSING - MAG 20 TS (LEXAN)
22	1497071	LENSE - WINDOW DISPLAY
23	3395601	DECAL - LARGE, MAG 20 DT/TS
24	3395700	DECAL - POSITIVE ION CONTROL TS
25	2286792	SWITCH - UP/DN CONTROL
26	2286793	WASHER - SHIM .750 x .1 UP/DN SWITCH
27	3395701	DECAL - PIC KNOB DIAL TS
28	050268	CABLE ASSY - MAG20DT (DATA IN/OUT)
29	050215	POSITIVE ION CONTROL POT
30	611005	KNOB - POSITIVE ION CONTROL
31	700176	CAP - CONNECTION PORT [2.EA]
32	609209	CABLE ASSY - MAG20DT UP/DN SWITCH
33	609253	CABLE ASSY - ANTENNA IN (SENSOR)
34	1234002	INSERT - 1/4" PRESS THD #6-32
35	603103	SCREW - MACH #6-32 x 3/8" SS
36	050265	CONTROL BOARD - MAG 20 DT
37	1296831	WIRE - CIRCUIT BREAKER JUMPER (RED)
38	3398205	CIRCUIT BREAKER - 30 AMP
39	1221490	UP/DN SWITCH BOOT
40	1221491	CIRCUIT BREAKER BOOT

41	1480070	SHAFT - DRIVE
42	9250002	PIN - DRIVE SHAFT 3/16" ROLL SS
43	0467695	BRAKE PLATE - REEL
44	1264670	CLUTCH PAD
45	1433074	GEAR - DRIVER WORM
46	9010003	BEARING - DRIVE SHAFT NYLINER
47	9400005	SPRING - SHAFT CONTACT
48	4421002	COVER - GEAR CASE
49	2372100	SCREW - #8 x 5/8" PPHMS [5.EA]
50	9010310	WASHER - THRUST [2.EA]
51	9010280	BEARING - THRUST
52	2998906	KNOB BRAKE
53	0649001	▶ KNOB - HAND ADJUST
54	9130390	▶ NUT - KNURLED INSERT 3/8"-24
55	1479070	O-RING - REEL SHAFT
56	9370205	SCREW - 1/4" x 3/4" HEX WASH HD [3.EA]
57	3993200	POWER CABLE ASSEMBLY
58	3393200	>POWER CABLE - BATTERY
59	3393201	>CAP - POWER CABLE - BATTERY
60	3393202	>POWER CABLE - MOTOR
61	3393210	>CAP - POWER CABLE -MOTOR
62	1458001	MOTOR 12V DC
63	1497070	GEAR - WORM MOTOR
64	9250001	PIN - MOTOR, 3/32" X 3/4" ROLL SS
65	700032	TERMINAL - MOTOR, FEM 12-10 [2.EA]
66	9010002	BEARING - MOTOR SHAFT
67	2263112	NUT - HEX #10-32 BZ
68	3390201	COVER - MOTOR HOUSING TS (LEXAN)
69	3393400	SCREW - #8-18 x 1-1/4" PPHSMS SS [6.EA]
70	701007	O-RING - SMALL
71	2332103	SCREW-#6-20 X 3/8"
72	3395632	DECAL - CANNON LARGE TS [2.EA]
73	3991903	BAG ASSY - REAR ROD HOLDER TS
74	0290796	>TUBE - ROD HOLDER
75	2151726	>WASHER - 5/16" FLAT
76	2383106	>NUT - 5/16"-18 SS
77	3319005	>CLAMP - ROD HOLDER w/ SLOT
78	3325002	>DISK - ROD HOLDER
79	9040310	>BOLT - HEX 5/16"-18 x 2"
80	9430160	>WASHER - STAR 5/16"

81	2200109	>OFFSHORE SALTWATER RELEASE
82	3992300	SWIVEL HEAD ASSEMBLY
83	0267001	▶SIDE PLATE (RH)
84	0267002	▶SIDE PLATE (LH)
85	0269726	▶PULLY - SWIVEL HEAD
86	3397300	▶WASHER - .735 OD X .36 ID
87	9010070	▶HDW BEARING BRASS[2.EA]
88	2227820	BOOM END - TELESCOPIC (LEXAN)
89	2200148	SNAP & INSULATOR [2.EA]
90	1007334	MOUNTING BASE (LEXAN)
91	2994893	*BAG ASSEMBLY, MOUNTING (KIT #3)
92	2263102	NUT - HEX 1/4"-20 [4.EA]
93	2371712	WASHER - 9/32" FLAT [4.EA]
94	9100100	TERMINATOR
95	9100101	TERMINATOR CUSHION
96	9100620	TERMINATOR SNAP & SWIVEL
97	9280725	BOLT - TRUSS 1/4" - 20 x 2-1/2" [8.EA]
98	9370010	SCREW - #4 x 1/2" PPH [3.EA]
99	9950357	WASHER - LOCK 1/4" SPLIT [4.EA]
100	3392010	TELESCOPIC BOOM SS
101	2219822	>BASE TUBE CLAMP
102	2219823	>MID TUBE CLAMP
103	2222825	>MID TUBE COLLET
104	2222826	>BASE TUBE COLLET
105	3392001	▶BOOM BASE TUBE (SS)
106	3392002	▶BOOM MID TUBE (SS)
107	3392003	▶BOOM END TUBE (SS)
108	2998905	SWIVEL BASE
109	2249001	>KNOB - RELEASE PIN (LEXAN)
110	2267001	>BASE PLATE (LEXAN)
111	2267002	>SWIVEL PLATE (LEXAN)
112	2267006	>INDEXING PLATE (TAPPED)
113	2277001	>NUT - RETAINER RELEASE
114	2287002	>SPRING - RELEASE PIN
115	2372100	>SCREW - #8 x 5/8" PPHMS [2.EA]
116	3392600	>RELEASE PIN
117	9010004	>BEARING - SWIVEL BASE [2.EA]
118	2200107	OFFSHORE STACKER

> PART OF ASSEMBLY

▶ ITEM CANNOT BE SOLD SEPARATELY

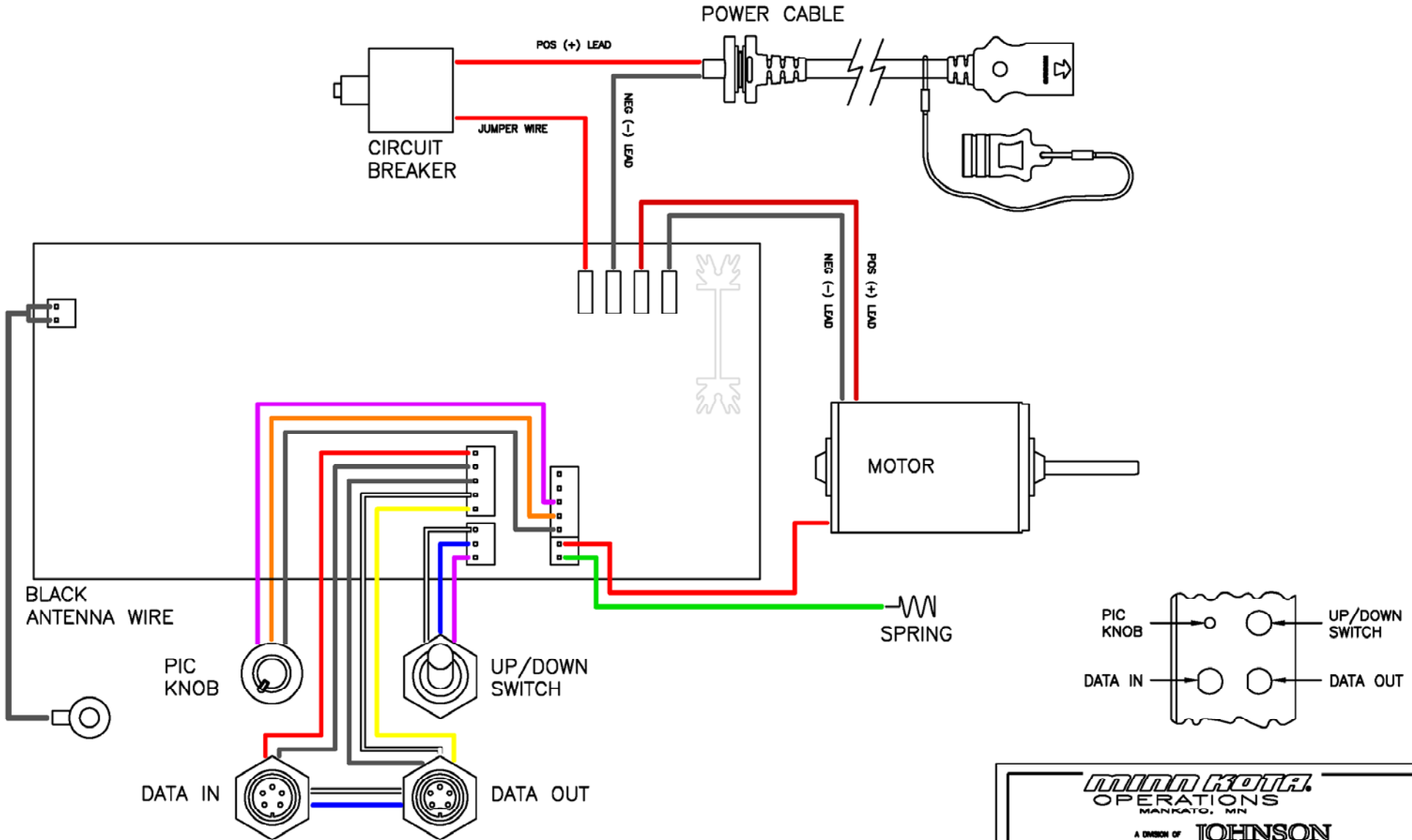
\* PARTS USED BUT NOT SHOWN

For Parts and Service  
 Call 1-888-404-1119  
 www.mikesreelrepair.com

PART NO: 339-8101

For Parts and Service  
 Call 1-888-404-1119  
 www.mikesreelrepair.com

REVISIONS					
REV.	ECN NO.	DESCRIPTION	BY	DATE	APP'D BY
A	15412	RELEASED	JLL	10/18/06	DJ



**TOLERANCES:**  
 UNLESS OTHERWISE SPECIFIED  
 .XXX ±.0010  
 .XX ±.005  
 .X ±.010  
 .XX ±.010  
 .X ±.010  
 FRACTIONAL ± 1/64  
 ANGULAR DIMENSIONS ± 0.5°

**CONFIDENTIAL PROPERTY—**  
 This document is the confidential property of Johnson Outdoors and is loaned subject to return upon demand. It is to remain in your possession and control. It is not to be used, copied, reproduced, or transmitted in any form or by any means, electronic or mechanical, including photocopying, recording, or by any information storage and retrieval system, without the prior written permission of Johnson Outdoors. Penalties of this document are accepted subject to the foregoing.

**DRAWN BY:** JLL  
**DATE:** 10/18/06  
**APP'D BY:** DJ  
**DATE:** 10/18/06  
**CHECKED BY:** DJ  
**DATE:** 10/18/06

FINISH:	NONE	PART NAME:	MAG 20 DT WIRING DIAGRAM	A
MATERIAL:	NONE	RELEASED ECN#	15412	SIZE
		PART NO.:	339-8101	REV:
		SCALE:	NONE	A
		SHEET	1 OF 1	U/M:
				IN.