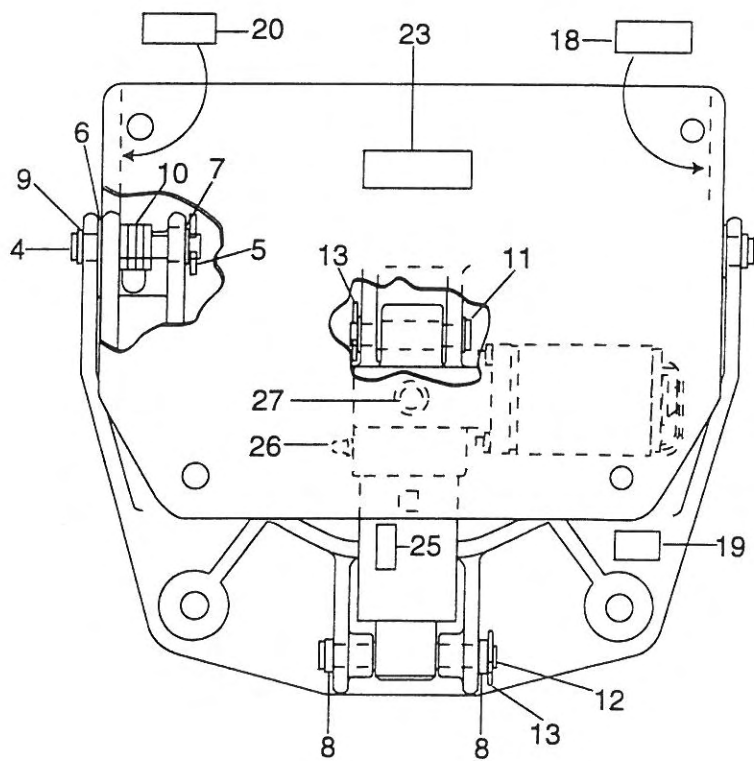
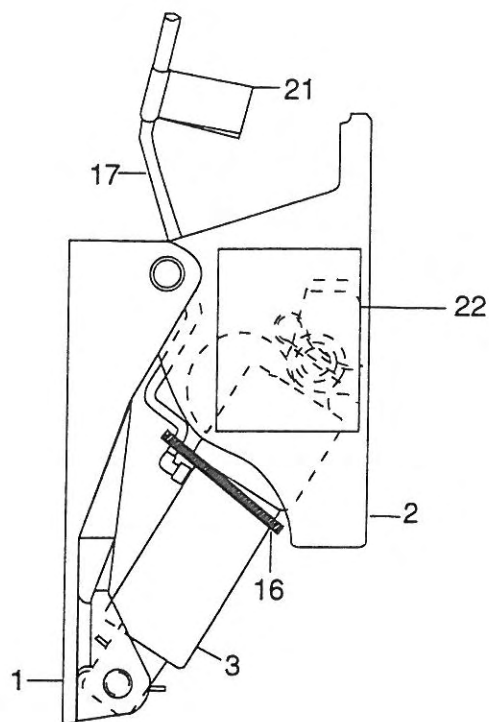


MKN55



ITEM	PART NUMBER	DESCRIPTION	QNTY
1	99-53034	TRANSOM PLATE	1
2	99-53042	MOTOR PLATE	1
3	99-53550	ACTUATOR ASSEMBLY	1
4	99-53095	PIN- CLEVIS 1/2"x2-3/4"	2
5	99-53102	PIN- COTTER 5/32"	2
6	99-53320	WASHER- BLACK NYLON 1.225	2
7	99-53130	WASHER- BLACK NYLON .75X.062	4
8	99-53132	WASHER- BLACK NYLON .75X.187	2
9	99-53128	WASHER- BLACK NYLON .75X.093	2
10	99-53318	WASHER- BLACK NYLON 1.	8
11	99-53095	PIN- CLEVIS 1/2"x2-3/4"	1
12	99-53097	PIN- CLEVIS 1/2"x4"SS	1
13	99-53099	PIN- HAIR SS	2
14	99-53540	• ELECTRIC CONTROL BOX ASSEMBLY	1
15	99-53154	• PUSH BUTTON SWITCH ASSEMBLY	1
16	99-50433	TIE WRAP 4"	2
17	99-53312	TUBING- 1 FOOT	1
18	99-53355	DECAL- KEEP HANDS CLEAR	2
19	99-53363	DECAL- MADE IN USA	1
20	99-53365	DECAL- SECURE OUTBOARD...	1
21	99-53370	LABEL- SECURE BREATHER TUBE...	2
22	238-5600	DECAL- SIDE PRODUCT MODEL	2
23	99-53392	DECAL- MAXIMUM CAPACITY 55 HP	1
24	299-4813	• BAG ASSEMBLY	1
25	99-53390	DECAL- SERIAL NUMBER	1
26	238-8405	GREASE FITTING	1
27	99-53074	PLUG- SNAP IN	1

• ITEMS NOT SHOWN IN DRAWING

<b>PRODUCT SPECIFICATION</b>	<b>MODEL MKN 55</b>
<b>Horsepower Rating</b>	<b>Up to 55 HP</b>
<b>OutBoard Motor Types</b>	<b>Clamp-On or Bolt-On</b>
<b>Trim / Lift Range</b>	<b>5° Tuck / 60° Tilt</b>
<b>Transom Set-back</b>	<b>7 Inches</b>
<b>Weight</b>	<b>23 Pounds</b>
<b>Width- Top</b>	<b>15 1/4 Inches</b>
<b>Width- Bottom</b>	<b>11 3/4 Inches</b>
<b>Height</b>	<b>11 Inches</b>