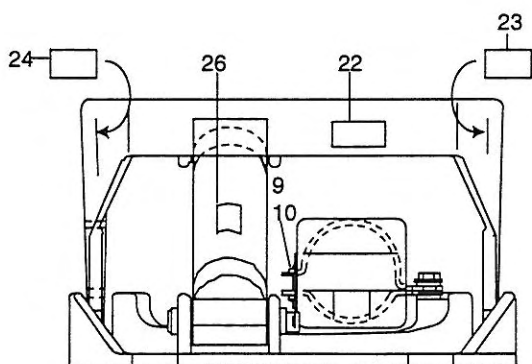
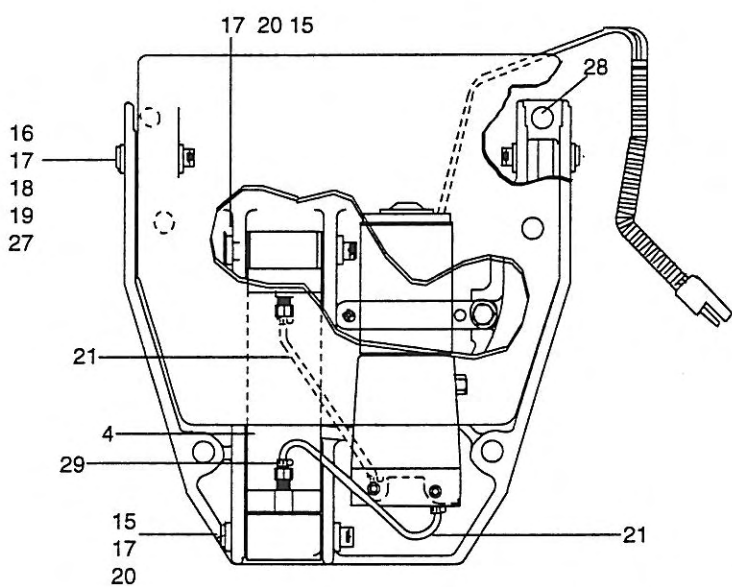
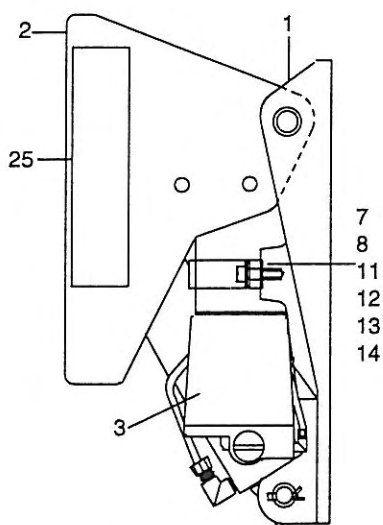


MKN5400



ITEM	PART NUMBER	DESCRIPTION	QNTY
1	99-54150	MOTOR PLATE ASSEMBLY	1
2	99-54155	TRANSOM PLATE ASSEMBLY	1
3	99-54000	HYDRAULIC PUMP ASSEMBLY	1
4	99-54100	HYDRAULIC CYLINDER ASSEMBLY	1
5	99-53540	• ELECTRIC CONTROL BOX ASSEMBLY	1
6	99-53154	• PUSH BUTTON SWITCH ASSEMBLY	1
7	99-53423	BRACKET- HYDRAULIC PUMP	1
8	99-53426	CLAMP- HYDRAULIC PUMP	1
9	99-54675	SCREW- 1"	1
10	99-53090	NUT- KEEP	1
11	99-54672	SCREW- 3/4	1
12	99-08236	WASHER- FLAT 1/4"	1
13	99-51778	WASHER- SPLIT LOCK 1/4"	1
14	99-51771	WASHER- STAR LOCK 1/4"	1
15	99-54450	PIN- CLEVIS 3-1/2"	2
16	99-53092	PIN- CLEVIS 2"	2
17	99-53102	PIN- COTTER 3/4"	4
18	99-53320	WASHER- BLACK NYLON .1	2
19	99-53128	WASHER- BLACK NYLON .093	4
20	99-53132	WASHER- BLACK NYLON .187	4
21	99-54300	HOSE- MED. PRESSURE	2
22	99-53363	DECAL- MADE IN USA	1
23	99-53355	DECAL- KEEP HANDS CLEAR	1
24	99-53365	DECAL- SECURE OUTBOARD...	1
25	238-5604	DECAL- SIDE PRODUCT MODEL	2
26	200-5705	DECAL- SERIAL NUMBER	1
27	99-53215	BUSHING .625	2
28	99-54332	BUMPER STOP	2
29	99-54803	HOSE CLAMP	4
30	99-53260	• WOOD SHIM	1
31	99-54770	• BUNGEE CORD	1
32	299-4816	• BAG ASSEMBLY	1

• ITEMS NOT SHOWN IN DRAWING

*Pump/Cylinder Assy
2774819*

*Motor Only
2387002*

PRODUCT SPECIFICATIONS	MODEL MKN5400
Horsepower Rating	Up to 40 HP
Outboard Motor Types	Clamp-On Only
Trim / Tilt Range	24° Trim / 65° Tilt
Transom Set-back	7 1/4 Inches
Weight	20 Pounds
Width- Top	12 Inches
Width- Bottom	7 3/4 Inches
Height	12 Inches