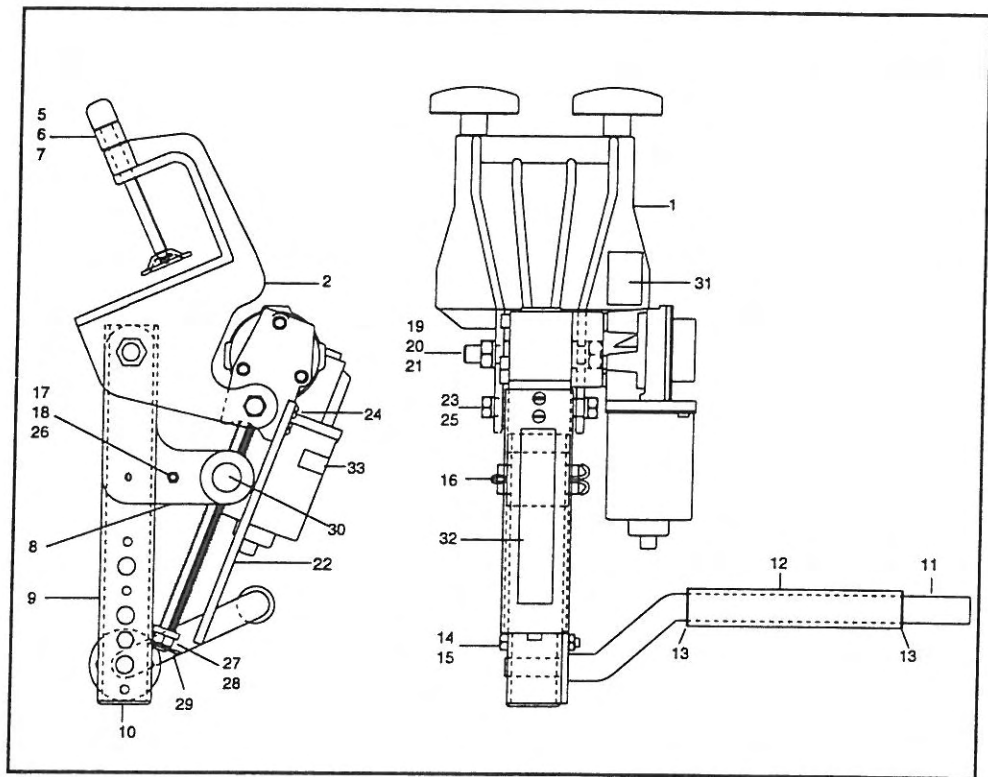


MKN5300



ITEM	PART NUMBER	DESCRIPTION	QUANTITY
1	99-54401	TRANSOM BRACKET	1
2	99-54505	ACTUATOR ASSEMBLY	1
3	99-54575	*RELAY/FUSE LEADWIRE ASSEMBLY	1
4	99-53154	*PUSH BUTTON SWITCH ASSEMBLY	1
5	201-1375	KNOB- CLAMP SCREW	2
6	201-1710	WASHER- CLAMP SCREW	2
7	201-3010	RETAINER	2
8	99-54415	ARM- OUTSIDE LIFT	2
9	99-54418	TUBE- LIFT	1
10	99-54363	CAP- END	1
11	99-54430	LIFT BAR ASSEMBLY	1
12	99-54678	PIPE- PVC 3/4 x 6	1
13	99-54306	RING- RETAINING TUBE	2
14	99-54460	SCREW- 1/4 x 2	1
15	238-3129	NUT- TOP LOCK	1
16	99-54485	COTTER PIN- 1/8 x 2	1
17	238-3407	SCREW- PHILIPS 10-24 x 2	1
18	238-3124	NUT- NYLOC JAM 10-24	1
19	99-08318	NUT- NYLOC JAM 1/2 -13	1
20	99-53080	SCREW- 1/2 x 3-1/2	1
21	99-53132	WASHER- BLACK NYLON	2
22	99-54445	SHAFT GUARD	1
23	99-54494	SPACER- 1/2 x .500	2
24	238-3413	SCREW- 10-32 x 3/8	2
25	99-50145	SCREW- 3/8 x 7/8	2
26	99-54513	SPACER- PIPE 1/8 x 1.51	1
27	99-54464	NUT- SLOTTED HEX 3/8	1
28	99-54324	WASHER- ACME SHAFT	1
29	237-2615	COTTER PIN 3/4	1
30	99-54347	NUT- ACME	1
31	99-53355	DECAL-KEEP HANDS CLEAR	1
32	238-5608	DECAL-SIDE MODE	1
33	200-5705	DECAL SERIAL NUMBER	1
•	299-4813	BAG ASSEMBLY	1

• This item is not shown in the assembly drawing.

*Motor  
Only  
095 4302*

## **MKN 5300 MOTOR TILTER**

**Horsepower Rating**

**up to 40 HP or 130 lbs.**

**Tilt Range**

**60° tilt - no trim**

**Dimensions**

**14" x 8" x 6"**

**Weight**

**13 lbs.**