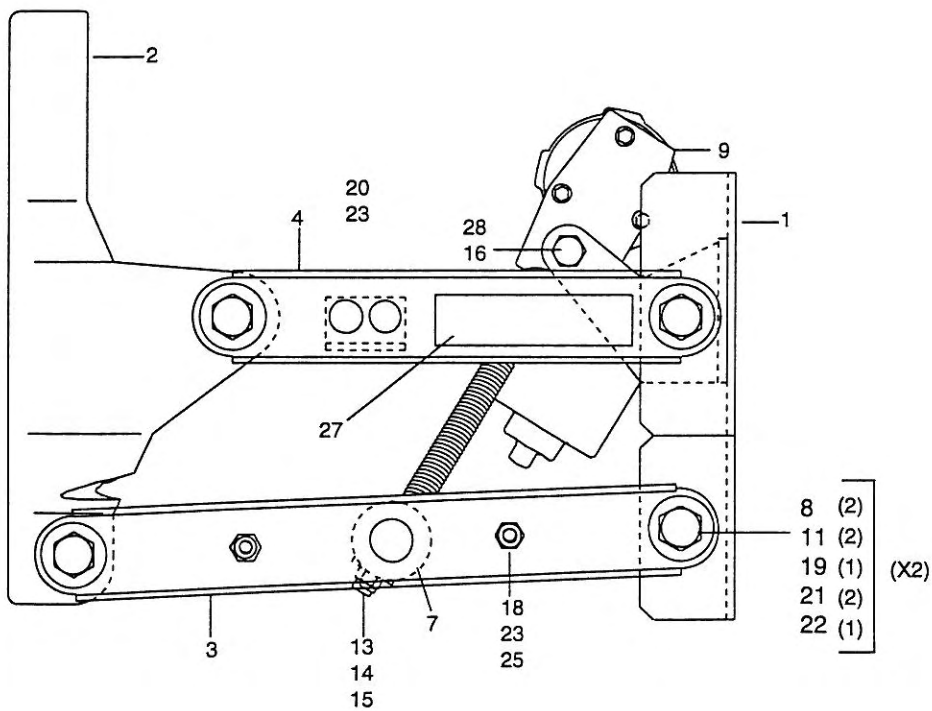
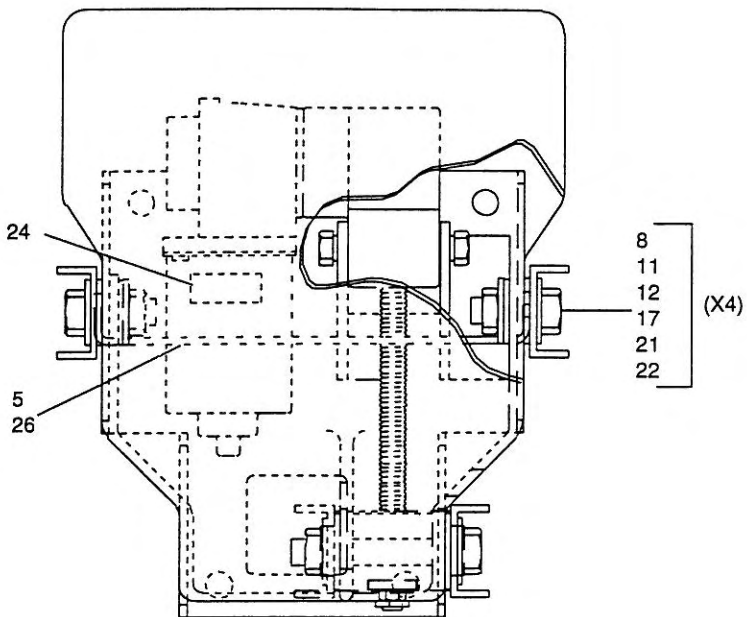


MKN5100



ITEM	PART NUMBER	DESCRIPTION	QNTY
1	99-54379	TRANSOM PLATE ASSEMBLY	1
2	99-54393	MOTOR PLATE ASSEMBLY	1
3	99-54382	ARM- LOWER LIFT	2
4	99-54385	ARM- UPPER	2
5	99-54433	CROSS STRAP	1
6	99-53154	•PUSH BUTTON SWITCH ASSEMBLY	1
7	99-54376	NUT- ACME	1
8	99-54519	BUSHING- FLANGE	8
9	99-54510	ACTUATOR ASSEMBLY	1
10	99-54575	•RELAY/FUSE WIRE ASSEMBLY	1
11	99-53321	WASHER- BLACK NYLON .1.435 X .100	10
12	99-53320	WASHER- BLACK NYLON .1.225 X .100	2
13	99-54464	NUT- SLOTTED HEX	1
14	99-54324	WASHER-ACME	1
15	237-2615	PIN- COTTER 3/4	1
16	99-54649	SCREW- 3/8 X 5/8	2
17	99-54652	SCREW- 1/2 X 1-1/4	4
18	99-54655	SCREW- 1/4 X 2-3/4	2
19	99-54658	SCREW- 1/2 X 3-1/4	2
20	99-54663	CARRIAGE BOLT	4
21	99-54661	WASHER- FLAT 1/2	12
22	99-08318	NUT- NYLOC JAM 1/2	6
23	99-05212	NUT- NYLOC JAM 1/4	6
24	200-5705	DECAL- SERIAL NUMBER	1
25	99-54482	SPACER-LOWER LIFT ARMS	2
26	99-53355	DECAL- KEEP HANDS CLEAR	1
27	238-5608	DECAL- SIDE PRODUCT MODEL	2
28	99-54516	BUSHING- 1/2 X 1/4	2
29	299-4813	• BAG ASSEMBLY-MKN5100	1
30	99-54681	• WOOD SHIM	1

• ITEMS NOT SHOWN IN DRAWING

<b>Product specificationS</b>	<b>model MKN5100</b>
<b>Horsepower Rating</b>	<b>Up to 20 Hp</b> <i>15HP</i> <i>115#</i>
<b>Outboard Motor Types</b>	<b>Clamp-On Only</b>
<b>Lift Range</b>	<b>15 1/2 Inches</b>
<b>Transom Set-back</b>	<b>14 Inches</b>
<b>weight</b>	<b>19 Pounds</b>
<b>Height</b>	<b>8 1/4 Inches</b>
<b>Width</b>	<b>8 Inches</b>
<b>Depth</b>	<b>14 Inches</b>