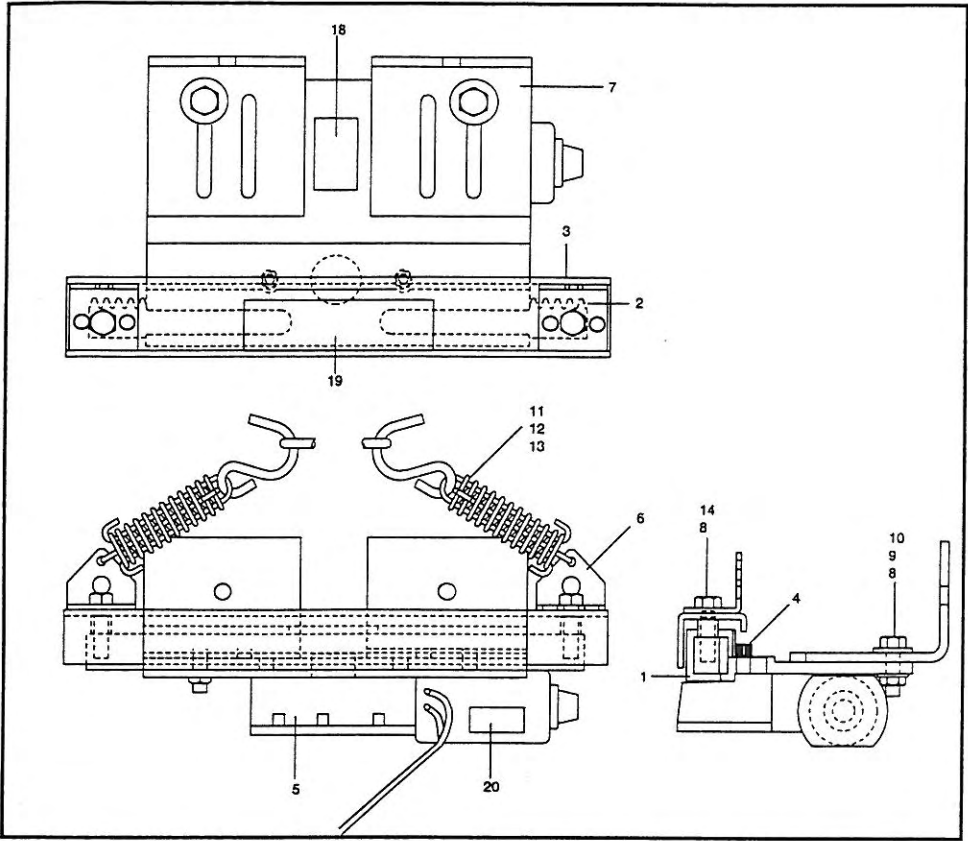


MKN5000



ITEM	PART NUMBER	DESCRIPTION	QUANTITY
1	99-54590	EXTRUSION, ES101	1
2	99-54600	GEAR RACK, ES102	1
3	99-54530	GUARD, GEAR RACK, ES 103	1
4	99-54533	SCREW, 1/4 x 3/4	2
5	99-54595	MOTOR	1
6	99-54577	BRACKET SPRING	2
7	99-54548	BRACKET, ANGLE	2
8	99-50160	SCREW 5/16 x 1	4
9	99-54096	NUT, FLANGE	2
10	99-54572	WASHER	2
11	99-54580	DRAW BAR SPRING	4
12	99-54584	SPRING, SHORT	2
13	99-54545	HOOK, "S"	2
14	99-54588	BUSHING	2
15	99-53540	*RELAY/FUSE LEADWIRE ASS'Y	1
16	99-54620	*FOOT SWITCH WIRE ASS'Y	1
17	99-53363	*DECAL-MADE IN USA	1
18	99-53355	DECAL-KEEP HANDS CLEAR	1
19	238-5610	DECAL-SIDE MODEL	1
20	238-5702	DECAL SERIAL NUMBER	1
21	299-4819	*BAG ASSEMBLY	1
22	200-4001	*FOOT CONTROL ASSEMBLY	1

* This item is not shown in the assembly drawing.