



Low-profile swivel base



2207003

CAUTION:
READ THIS MANUAL CAREFULLY
BEFORE OPERATING YOUR
NEW CANNON® ACCESSORY.
RETAIN FOR FUTURE REFERENCE.

NOTE: Do not return your CANNON® accessory to your retailer. Your retailer is not authorized to repair or replace this unit. You may obtain service by:

- calling CANNON® at 1-800-227-6433;
- returning your accessory to the Factory Service Center; 121 Power Drive, Mankato, MN 56001

Please include proof of purchase, and purchase date for warranty service with any of the above options.



1903002

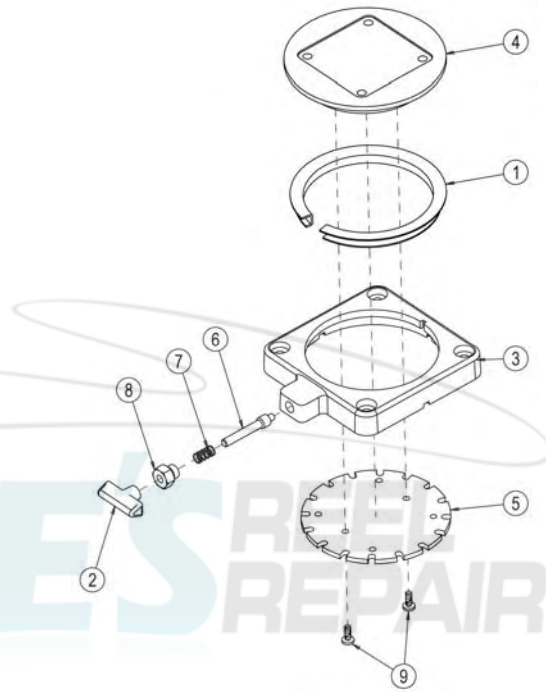
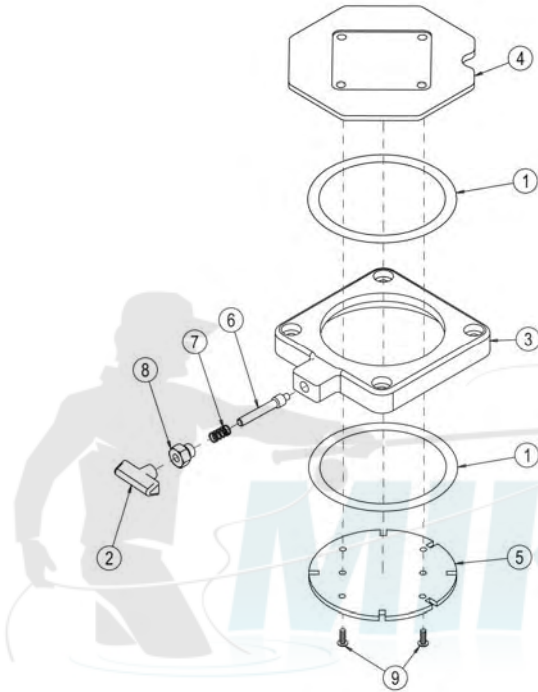
Instruction Manual

Parts List—2207003

| ITEM # | PART# | DESCRIPTION |
|--------|---------|--------------------------------|
| 1 | 9010004 | BEARING - SWIVEL BASE [2.EA] |
| 2 | 2249001 | KNOB - RELEASE PIN (LEXAN) |
| 3 | 2267001 | BASE PLATE (LEXAN) |
| 4 | 2267002 | SWIVEL PLATE (LEXAN) |
| 5 | 3391919 | INDEXING PLATE (TAPPED) |
| 6 | 3392600 | RELEASE PIN |
| 7 | 2287002 | SPRING - RELEASE PIN |
| 8 | 2277001 | NUT - RETAINER RELEASE |
| 9 | 2372100 | SCREW - #8 x 5/8" PPHMS [2.EA] |

Parts List—1903002

| ITEM # | PART# | DESCRIPTION |
|--------|---------|-------------------------------|
| 1 | 3390000 | BEARING-FLANGE 4.00 ID |
| 2 | 3390110 | KNOB-RELEASE PIN TS |
| 3 | 3391910 | BASE-SWIVEL TS |
| 4 | 3391911 | PLATE-SWIVEL TS |
| 5 | 3391919 | PLATE-INDEX TS |
| 6 | 3392610 | PIN-RELEASE SS |
| 7 | 3392720 | SPRING-COMP .26IDX.62LG |
| 8 | 3393112 | NUT-RET 7/16-14 THD TS |
| 9 | 3393401 | SCREW-#8-32 X 5/8 PPMs [2.EA] |



Mounting the Tablock Base

(For Easi-Troll & Lake-Troll Users)

When mounting a tablock base, it is necessary to place 4 split lock washers between the two bases (as shown to the right). Mount the tablock base with 1/4"-20 x 1 1/2" truss head screws to the swivel base. This will allow the swivel base to rotate easily with the tablock base.

