



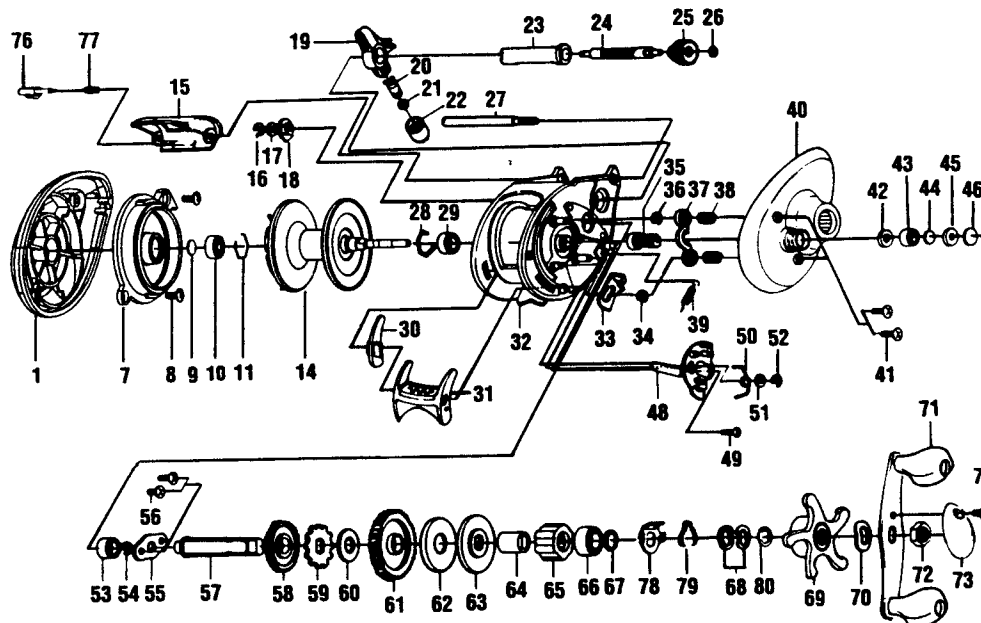
# BB3NH

### SPECIFICATIONS:

- 2 Ball Bearings
- 1 Roller Bearing
- 6.3:1 Gear Ratio
- 8.9 oz. Weight
- 145 yds./14 lb. Line Capacity

### FEATURES:

- 1 piece aluminum frame
- Thumb Bar Spool Release
- Titanium enhanced Pawl & Line guide
- Constant Anti-Reverse
- Bayonet Release (left side cover)
- Six post adjustable Centrifugal Brake System
- Color - Black



Key No.	Part No.	Description	Price	Key No.	Part No.	Description	Price
1	VW323-01	Left Side Cover Assy	8.81	44	QW032-04	Spool Tension Washer	
7	UW051-01	Spool Cover Assy	1.75	45	QW081-01	Spool Tension Collar	
8	ZW125-01	Spool Cover Screw	1.00	46	QW082-01	Spool Cushion Washer	
9	QW032-04	Spool Tension Shim	.52	47	ZW033-02	Spool Tension Knob	5
10	UW117-01	Bushing - Spool Shaft	.60	48	ZW039-01	Release Slider	3
11	QW080-01	Clip Ring	.52	49	ZW053-01	Thumb Bar Screw	1
14	UW321-01	Spool Assy	19.00	50	ZW104-01	Release Slider Spring	1
15	ZW027-07	Front Support	3.35	51	SW121-01	Release Slider Guide Washer	
16	NX092-01	Worm Shaft E-Clip	.30	52	NX090-01	Release Slider Guide E-Clip	
17	QW035-03	Worm Shaft Washer	.26	53	ZW017-01	Crank Shaft Lower Bushing	
18	QW067-01	Worm Shaft Bushing	.67	54	QW120-01	Crank Shaft E-Clip	
19	ZW347-01	Line Guide Carrier Assy	5.70	55	ZW002-01	Crank Shaft Retainer	1
20	ZW006-01	Line Guide Pawl	2.80	56	TW107-01	Crank Shaft Retainer Screw	
21	QW035-03	Line Guide Pawl Washer	.26	57	ZW008-01	Crank Shaft	5
22	ZW007-01	Pawl Cap Screw	2.85	58	ZW112-01	Oscillate Drive Gear	1
23	QW016-01	Worm Shaft Guide	2.00	59	QW083-01	Trip Ratchet	
24	ZW072-01	Worm Shaft	7.20	60	QW111-01	Trip Ratchet Washer	
25	ZW085-01	Oscillate Pinion Gear	1.75	61	ZW012-01	Drive Gear	10
26	NX090-01	Oscillate Pinion Gear E-Clip	.41	62	QW059-01	Drag Disc	1
27	ZW061-01	Stabilizer Bar	2.80	63	QW045-01	Drag "D" Washer	
28	QW080-01	Clip Ring	.52	64	CW052-02	One Way Bearing Sleeve	2
29	SW017-01	Ball Bearing - Spool Shaft	6.80	65	UQ063-02	One Way Bearing	3
30	ZW056-01	Thumb Bar Retainer	.50	66	TW058-01	Crank Shaft Ball Bearing	7
31	ZW309-03	Thumb Bar Assy	.70	67	TW035-02	Crank Shaft Washer	
32	ZW301-06	Frame Assy	6.00	68	QW046-02	Spring "D" Washer	
33	ZW077-01	Kick Lever	1.55	69	ZW055-01	Star Drag	2
34	QW120-01	Pinion Yoke Shaft E-Clip	.26	70	QW054-01	Handle Washer	
35	ZW311-01	Pinion Gear Assy	10.10	71	VW318-01	Handle Assy	13
36	QW120-01	Pinion Yoke Shaft E-Clip	.26	72	QW003-01	Handle Nut	
37	ZW025-01	Pinion Yoke	1.00	73	ZW034-05	Handle Nut Cap	1
38	QW040-01	Pinion Yoke Spring	.67	75	QW123-01	Handle Nut Cap Screw	
39	ZW097-01	Kick Lever Spring	.65	76	ZW119-02	Side Cover Locking Lever	1
40	ZW024-08	Right Side Cover	5.50	77	ZW096-01	Locking Lever Spring	1
41	QW123-01	Right Side Cover Screw	.15	78	N/A	Click Spring Retainer	
42	QW101-01	Spool Tension Knob O-Ring	.26	79	N/A	Drag Clip Spring	
43	QW117-01	Tension Knob Bushing	.64	80	N/A	Star Drag Washer	

<b>MODEL INTRODUCED</b>	1996	<b>EFFECTIVE DATE OF PARTS LIST/DIAGRAM</b>	Oct. 1996	<b>DISCONTINUED</b>	N/A
-------------------------	------	---	-----------	---------------------	-----

Prices subject to change without notice. Prices do not include postage and handling.

**PLEASE ORDER BY PART NUMBER** Zebco Division Brunswick Corporation, Box 270, Tulsa, OK 74101 USA 918-831-6965