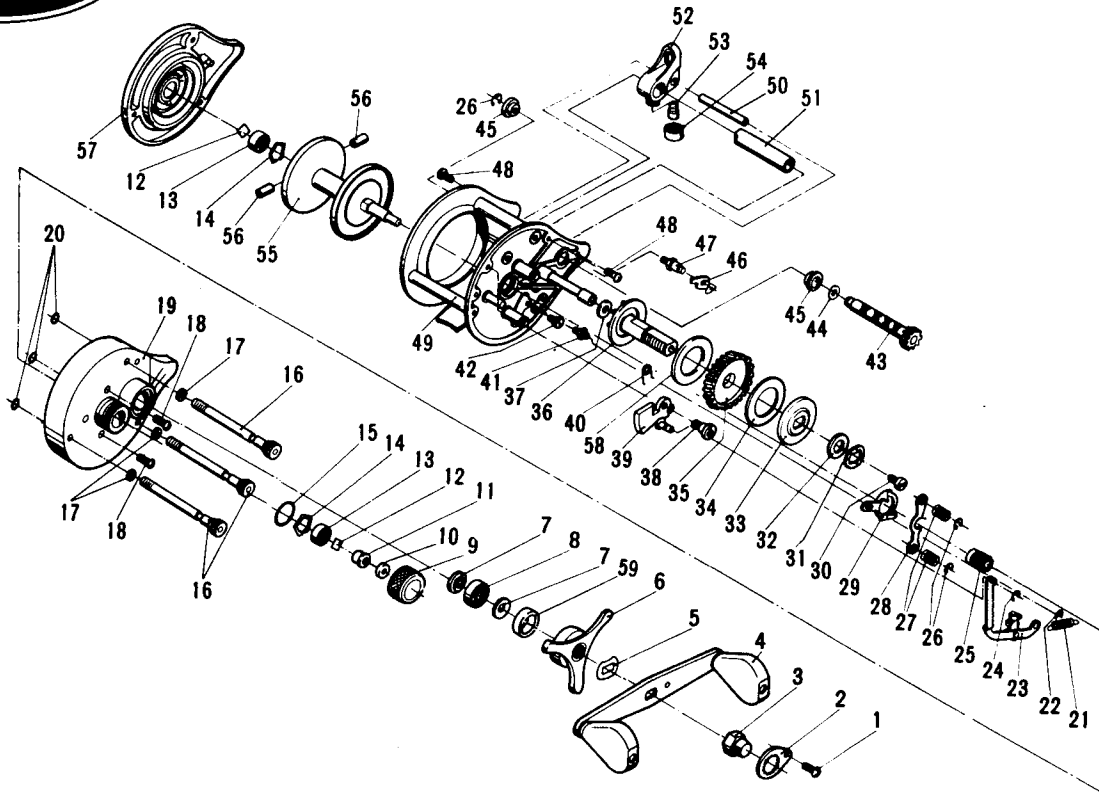




# BB1NSW



| Key No. | Part No. | Description                 | Price | Key No. | Part No. | Description               | Price |
|---------|----------|-----------------------------|-------|---------|----------|---------------------------|-------|
| 1       | BI123-01 | Handle Nut Lock Screw       | .35   | 31      | BI046-01 | Spring "D" Washer         | .95   |
| 2       | BI034-01 | Handle Nut Lock Plate       | 1.40  | 32      | BI038-01 | Main Shaft Washer         | .65   |
| 3       | BI003-01 | Handle Nut                  | 1.85  | 33      | BI045-01 | Drag "D" Washer           | 1.65  |
| 4       | BI318-01 | Handle                      | 8.50  | 34      | BI059-01 | Drag Disc (U)             | 1.95  |
| 5       | BI054-01 | Handle Washer               | 1.30  | 35      | BI012-01 | Drive Gear                | 7.25  |
| 6       | BI355-01 | Star Drag                   | 8.65  | 36      | BI308-01 | Crank Shaft               | 10.15 |
| 7       | BI088-01 | Crank Shaft Bearing Collar  | 1.60  | 37      | BI135-01 | Crank Shaft Washer        | .70   |
| 8       | BI058-01 | Crank Shaft Bearing         | 13.60 | 38      | BI076-01 | Push Button Screw         | .70   |
| 9       | BI033-01 | Tension Knob                | 3.35  | 39      | BI062-01 | Push Button               | 2.45  |
| 10      | BI082-01 | Spool Cushion Collar        | .70   | 40      | BI097-01 | Push Button Spring        | .65   |
| 11      | BI081-01 | Spool Tension Collar        | 2.75  | 41      | BI068-01 | Latch Plate Post          | 1.00  |
| 12      | BI032-01 | Spool Tension Washer        | .70   | 42      | BI102-01 | Latch Plate Guide Screw   | .65   |
| 13      | BI117-01 | Tension Knob Bearing        | 11.70 | 43      | BI372-01 | Worm Shaft                | 7.95  |
| 14      | BI080-01 | Bearing Retainer            | .50   | 44      | BI035-01 | Level Wind Gear Washer    | .80   |
| 15      | BI101-01 | Tension Knob O-Ring         | 1.40  | 45      | BI067-01 | Worm Shaft Bush (R)       | 1.00  |
| 16      | BI374-01 | Thumb Screw                 | 7.30  | 46      | BI363-01 | Anti Reverse Pawl         | 2.30  |
| 17      | BI121-01 | Thumb Screw Washer          | .50   | 47      | BI098-01 | Anti Reverse Pawl Post    | 1.40  |
| 18      | BI053-01 | Side Cover Screw            | .50   | 48      | BI107-01 | Carrier Guide Screw       | .25   |
| 19      | BI324-01 | Right Side Cover            | 31.00 | 49      | BI301-01 | Frame                     | 64.50 |
| 20      | BI073-01 | Thumb Screw Retaining Ring  | .70   | 50      | BI061-01 | Carrier Guide             | 2.15  |
| 21      | BI104-01 | Latch Spring                | .65   | 51      | BI016-01 | Worm Shaft Guide          | 2.35  |
| 22      | BI092-01 | E-Ring                      | .25   | 52      | BI347-01 | Line Guide Carrier        | 3.25  |
| 23      | BI076-01 | Latch Plate                 | 3.95  | 53      | BI006-01 | Line Guide Pawl           | 6.30  |
| 24      | BI120-01 | E-Ring                      | .25   | 54      | BI007-01 | Line Guide Carrier Screw  | 1.70  |
| 25      | BI311-01 | Pinion Gear                 | 5.95  | 55      | BI321-01 | Spool                     | 33.55 |
| 26      | BI090-01 | E-Ring                      | .25   | 56      | BI044-01 | Brake Shoe                | 1.40  |
| 27      | BI040-01 | Yoke Spring                 | .50   | 57      | BI323-01 | Left Side Cover           | 22.75 |
| 28      | BI025-01 | Pinion Yoke                 | 1.75  | 58      | BI060-01 | Drag Disc (L)             | 1.00  |
| 29      | BI039-01 | Release Slider              | 1.85  | 59      | BI066-01 | Crank Shaft Outer Bushing | 1.40  |
| 30      | BI125-01 | Crank Shaft Retaining Screw | .65   |         |          |                           |       |

Prices subject to change without notice. Prices do not include postage and handling.

**PLEASE ORDER BY PART NUMBER**

Rev. 6/95

Zebco Division Brunswick Corporation, Box 270, Tulsa, OK 74101 USA 918-836-5581

