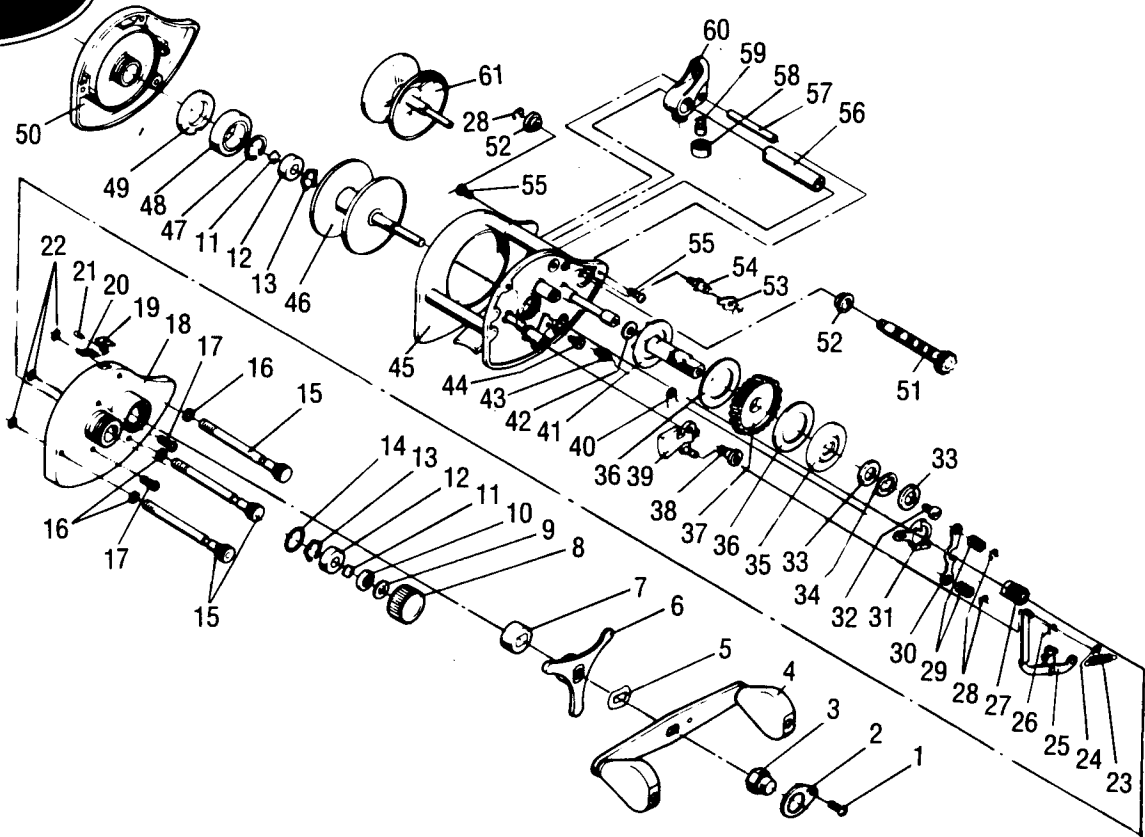




BB1M



Key No.	Part No.	Description	Price	Key No.	Part No.	Description	Price
1	P306000	Handle Locking Plate Screw	.30	33	P306094	Drag Pressure Plate Washer	.30
2	P306002	Handle Locking Plate	2.65	34	P306092	Drag Spring Washer	.55
3	P306005	Handle Retaining Nut	1.40	35	P306097	Drag Pressure Plate	1.10
4	P306008	Handle	6.45	36	P306102	Fiber Drag Washer	1.10
5	P306013	Tri Star Drag Tension Plate	.30	37	P306107	Main Gear	9.40
6	P306017	Tri Star Drag Control	6.45	38	P306112	Spool Release Button Screw	1.05
7	P306023	Drag Collar	.45	39	P306114	Spool Release Button	2.85
8	P306026	Cast Control Cap	2.20	40	P306119	Spool Release Button Spring	.30
9	P306031	Cast Control Tension Spring	.65	41	P306126	Ratchet Gear Assembly	12.70
10	P306030	Cast Control Tension Assembly	1.30	42	P306129	Drive Shaft Assembly Washer	.30
11	P306035	Friction Shim	.30	43	P306130	Kick Lever Screw	1.10
12	P306037	Oilless Bearing	.85	44	P306131	Stopper Pin	.55
13	P306038	Bearing Retaining Spring	.30	45	P306139	Main Body Assembly	35.45
14	P306039	Cast Control O-Ring	.55	46	P306147	U Spool Standard	35.00
15	P306040	Side Plate Finger Screws	8.15	47	P306154	Retaining Ring	.45
16	P306046	Washer	.30	48	P306156	Magnet Assembly	9.30
17	P306047	Side Plate Retaining Screw	.30	48	P306157	Magnet Assembly	9.30
18	P306059	Right Side Plate	16.85	49	P306159	Magnet Retaining Ring	.55
19	P306063	Anti Reverse Button	.55	50	P306171	Left Side Plate	29.55
20	P306064	Anti Reverse Spring	.30	51	P306176	Level Wind Gear	12.65
21	P306065	Anti Reverse Pin	.55	52	P306181	Oilless Bushing	.55
22	P306068	O-Ring	.30	53	P306185	Anti Reverse Claw	1.50
23	P306069	Slider Spring	.30	54	P306188	Anti Reverse Claw Screw	.85
24	P306070	Retaining Ring	.30	55	P306190	Stabilizer Bar Screw	.30
25	P306071	Slider Assembly	3.20	56	P306191	Level Wind Gear Guard	2.00
26	P306073	Slider Assembly Retaining Clip	.30	57	P306195	Level Wind Stabilizer Bar	1.90
27	P306075	Pinion Gear	9.90	58	P306200	Line Guide Block Cap	1.30
28	P306079	Retaining Clip	.30	59	P306202	Pawl (Steel)	3.45
29	P306080	Clutch Spring	.30	59	P306203	Pawl (Zirconia)	6.85
30	P306083	Clutch Lever	.85	60	P306205	Line Guide Block	4.85
31	P306085	Clutch Cam	1.10	61	P306142	V Spool	34.65
32	P306090	Drive Shaft Retaining Screw	.30				

Prices subject to change without notice. Prices do not include postage and handling.

PLEASE ORDER BY PART NUMBER

Rev. 6/95

Zebco Division Brunswick Corporation, Box 270, Tulsa, OK 74101 USA 918-836-5581

