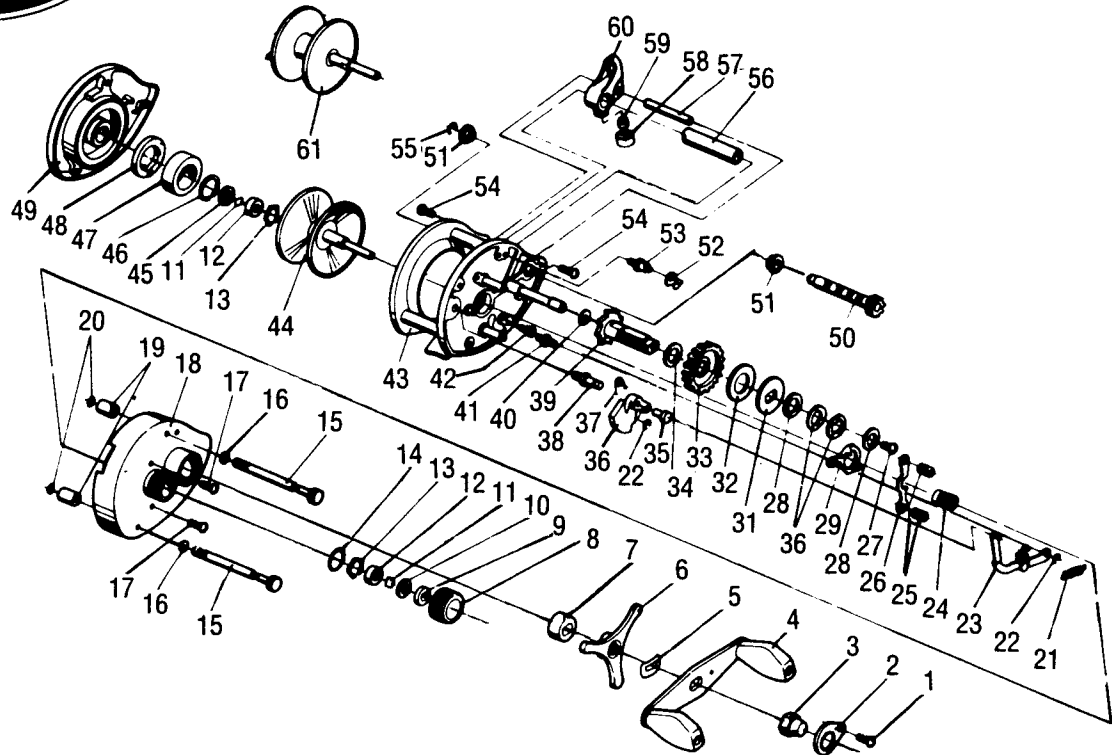




BB1LM



Key No.	Part No.	Description	Price	Key No.	Part No.	Description	Price
1	P306000	Handle Locking Plate Screw	.30	33	P306105	Main Gear	8.50
2	P306002	Handle Locking Plate	2.65	34	P306110	Main Gear Fiber Washer	.30
3	P306005	Handle Retaining Nut	1.40	35	P306113	Spool Release Button Pin	.30
4	P306010	Handle	7.00	36	P306116	Spool Release Button	2.00
5	P306013	Tri Star Drag Tension Plate	.30	37	P306120	Spool Release Button Spring	.30
6	P306016	Tri Star Drag Control	6.45	38	P306122	Spool Release Button Post Screw	.70
7	P306022	Drag Collar	.30	39	P306125	Ratchet Gear Assembly	12.70
8	P306026	Cast Control Cap	2.20	40	P306129	Drive Shaft Assembly Washer	.30
9	P306031	Cast Control Tension Spring	.65	41	P306130	Kick Lever Screw	1.10
10	P306212	Cast Control Tension Assembly	1.30	42	P306132	Stopper Pin	.30
11	P306035	Friction Shim	.30	43	P306137	Main Body Assembly	32.50
12	P306037	Oiless Bearing	.85	44	P306145	V Spool Standard	19.00
13	P306038	Bearing Retaining Spring	.30	45	P306033	Cast Control Tension Plate	1.10
14	P306039	Cast Control O-Ring	.55	46	P306154	Retaining Ring	.45
15	P306044	Side Plate Finger Screws	4.25	47	P306156	Magnet Assembly	9.30
16	P306046	Washer	.30	47	P306157	Magnet Assembly	9.30
17	P306047	Side Plate Retaining Screw	.30	48	P306159	Magnet Retaining Ring	.55
18	P306056	Right Side Plate	13.10	49	P306169	Left Side Plate	29.65
19	P306066	Side Plate Screw Ring	.65	50	P306178	Level Wind Gear	9.25
20	P306068	O-Ring	.30	51	P306181	Oiless Bushing	.55
21	P306069	Slider Spring	.30	52	P306186	Anti Reverse Claw	2.25
22	P306070	Retaining Ring	.30	53	P306189	Anti Reverse Claw Screw	.90
23	P306072	Slider Assembly	5.35	54	P306190	Stabilizer Bar Screw	.30
24	P306077	Pinion Gear	6.45	55	P306079	Retaining Clip	.30
25	P306081	Clutch Spring	.30	56	P306191	Level Wind Gear Guard	2.00
26	P306083	Clutch Lever	.85	57	P306195	Level Wind Stabilizer Bar	1.90
27	P306090	Drive Shaft Retaining Screw	.30	58	P306200	Line Guide Block Cap	1.30
28	P306094	Drag Pressure Plate Washer	.30	59	P306202	Pawl (Steel)	3.45
29	P306086	Clutch Cam	.90	59	P306203	Pawl (Zirconia)	6.85
30	P306092	Drag Spring Washer	.55	60	P306207	Line Guide Block	5.15
31	P306098	Drag Pressure Plate	.65	61	P306149	U Spool	20.00
32	P306101	Fiber Drag Washer	.85				

Prices subject to change without notice. Prices do not include postage and handling.

PLEASE ORDER BY PART NUMBER

Rev. 6/95

Zebco Division Brunswick Corporation, Box 270, Tulsa, OK 74101 USA 918-836-5581



BRUNSWICK