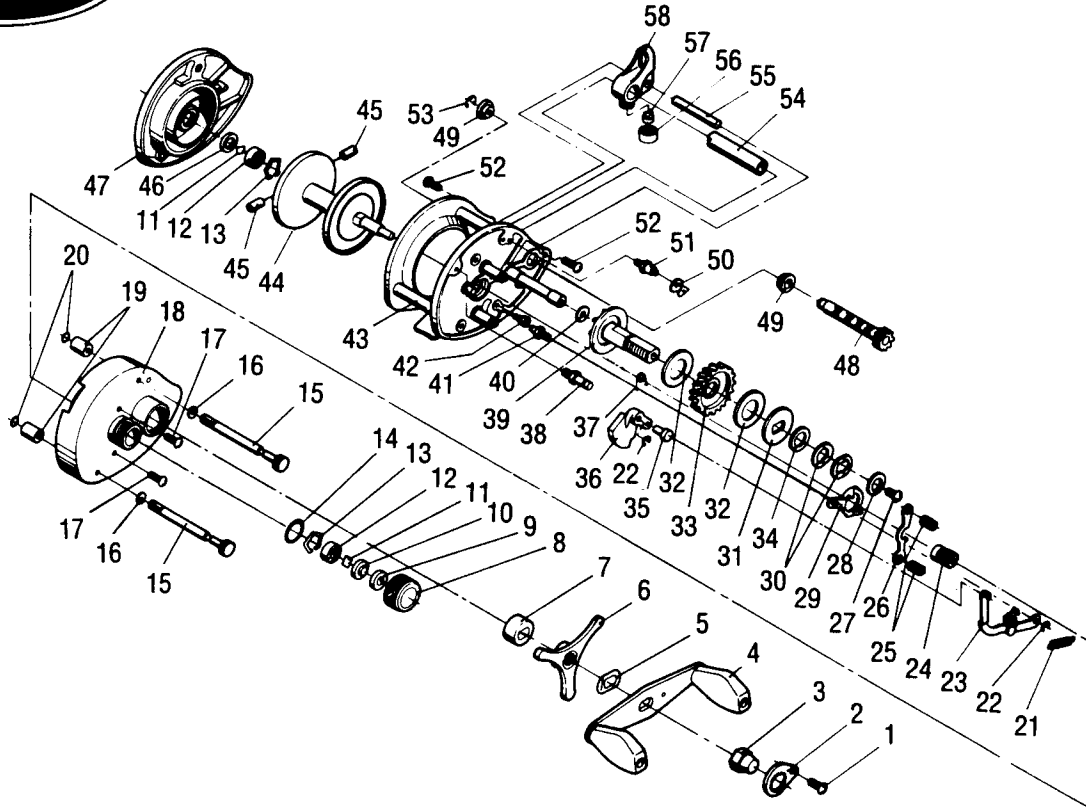




BB1LG



Key No.	Part No.	Description	Price	Key No.	Part No.	Description	Price
1	P306001	Handle Locking Plate Screw	.30	30	P306092	Drag Spring Washer	.55
2	P306002	Handle Locking Plate	2.65	31	P306098	Drag Pressure Plate	.65
3	P306006	Handle Retaining Nut	1.40	32	P306101	Fiber Drag Washer	.85
4	P306009	Handle	9.10	33	P306109	Main Gear	7.35
5	P306013	Tri Star Drag Tension Plate	.30	34	P306094	Drag Pressure Plate Washer	.30
6	P306019	Tri Star Drag Control	5.70	35	P306113	Spool Release Button Pin	.30
7	P306022	Drag Collar	.30	36	P306129	Drive Shaft Assembly Washer	.30
8	P306027	Cast Control Cap	1.85	37	P306120	Spool Release Button Spring	.30
9	P306031	Cast Control Tension Spring	.65	38	P306122	Spool Release Button Post Screw	.70
10	P306212	Cast Control Tension Assembly	1.30	39	P306127	Ratchet Gear Assembly	9.05
11	P306035	Friction Shim	.30	40	P306117	Spool Release Button	2.80
12	P306036	Oilless Bearing	12.00	41	P306130	Kick Lever Screw	1.10
13	P306038	Bearing Retaining Spring	.30	42	P306132	Stopper Pin	.30
14	P306039	Cast Control O-Ring	.55	43	P306138	Main Body Assembly	30.85
15	P306045	Side Plate Finger Screws	6.75	44	S630003	U Spool Standard	25.65
16	P306046	Washer	.30	45	P306153	Brake Block	1.10
17	P306048	Side Plate Retaining Screw	.30	46	P306033	Cast Control Tension Plate	1.10
18	P306058	Right Side Plate	18.25	47	P306168	Left Side Plate	8.35
19	P306067	Side Plate Screw Ring	.65	48	P306178	Level Wind Gear	9.25
20	P306068	O-Ring	.30	49	P306181	Oilless Bushing	.55
21	P306069	Slider Spring	.30	50	P306186	Anti Reverse Claw	2.25
22	P306070	Retaining Ring	.30	51	P306190	Stabilizer Bar Screw	.30
23	P306072	Slider Assembly	5.35	52	P306191	Level Wind Gear Guard	1.25
24	P306077	Pinion Gear	6.45	53	P306079	Retaining Clip	.30
25	P306081	Clutch Spring	.30	54	P306192	Level Wind Gear Guard	1.25
26	P306083	Clutch Lever	.85	55	P306196	Level Wind Stabilizer Bar	2.05
27	P306090	Drive Shaft Retaining Screw	.30	56	P306201	Line Guide Block Cap	1.50
28	P306091	Drive Shaft Retaining Screw Washer	.30	57	P306203	Pawl (Zirconia)	6.85
29	P306086	Clutch Cam	.90	58	P306207	Line Guide Block	5.15

Prices subject to change without notice. Prices do not include postage and handling.

PLEASE ORDER BY PART NUMBER

Rev. 6/95

Zebco Division Brunswick Corporation, Box 270, Tulsa, OK 74101 USA 918-836-5581



BRUNSW