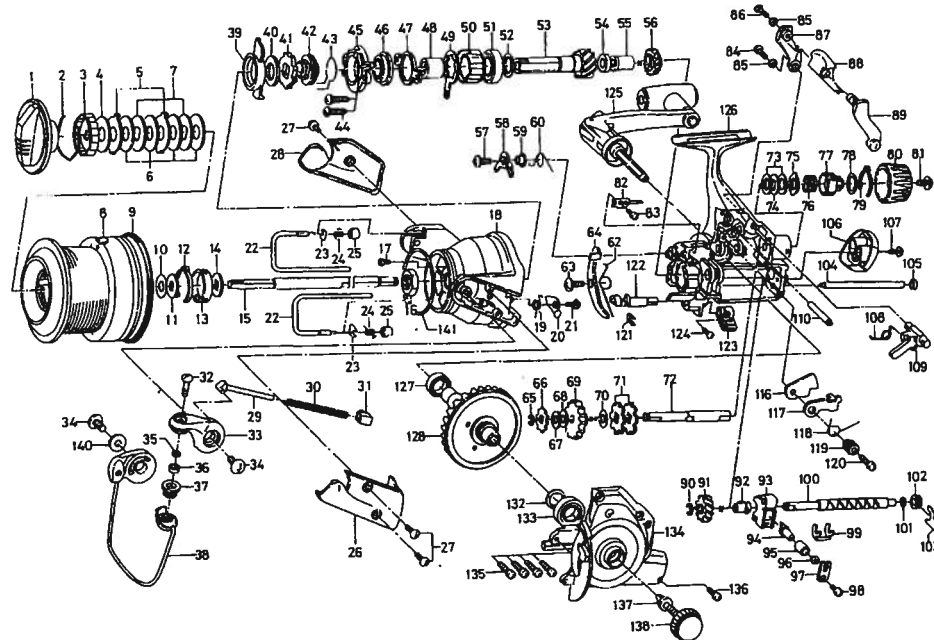


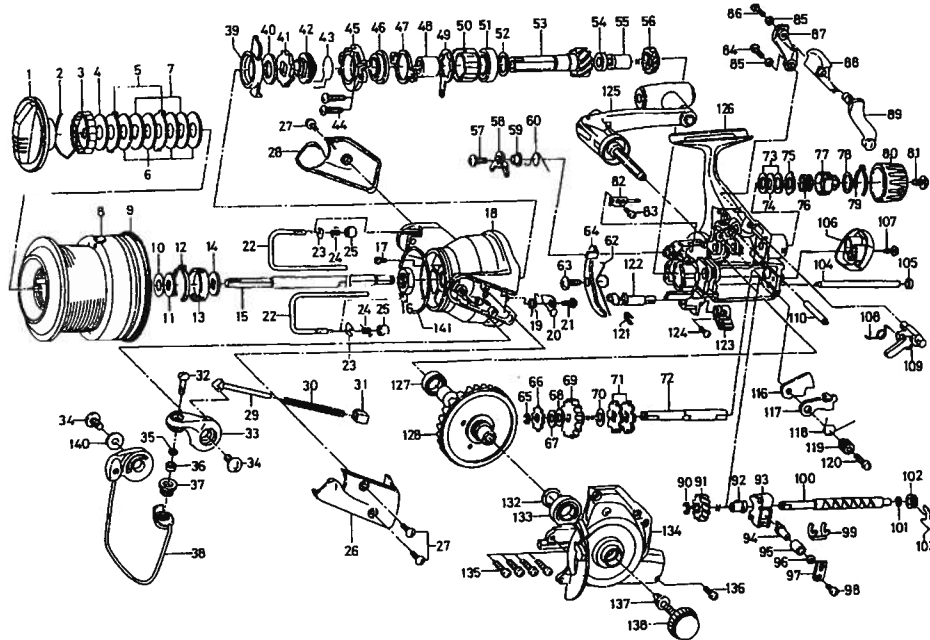
GRANDWAVE 5000BR



Key No.	Parts No.	Parts Name	Key No.	Parts No.	Parts Name
1	G28-4701	DRAG KNOB	34	352-1102	BAIL ARM SCREW
2	F06-2601	DRAG WASHER RET	35	F89-7101	LINE ROLLER COLLAR
3	G15-0201	DRAG KNOB CLICK PLT	36	F28-2201	BALL BEARING A
4	F05-5401	DRAG WASHER A	37	G17-1302	LINE ROLLER
5	E15-0101	EARED WASHER A	38	G13-1201	BAIL
6	B36-0207	DRAG WASHER B	39	G09-1401	A/R PAWL COLLAR A
7	F25-8201	KEY WASHER A	40	G09-8901	A/R PAWL WASHER
2-9	G28-4501	SPOOL	41	280-9501	A/R RATCHET
9	E40-2901	O RING A	42	G09-1201	SPRING HOLDER
10	F05-0100	SPOOL WASHER A	43	G09-1301	A/R PAWL SPRING A
11	F05-0001	SPOOL WASHER B	44	F12-5701	BEARING RET SCREW
12	B74-7701	SPOOL CLICK LEAF SPRING	45	G08-8501	BEARING RET
13	E12-2307	CLICK LEAF SPRING HOLDER	46	F24-0001	BALL BEARING B
14	F04-9901	CLICK LEAF SPRING WASHER	47	G08-8401	ROLLER CLUTCH RET A
15	G08-9201	MAIN SHAFT	48	G08-8201	SPACING SLEEVE
16	B43-7609	ROTOR NUT	49	G08-8301	ROLLER CLUTCH RET B
17	E49-2001	ROTOR NUT LOCK SCREW	50	G31-4501	ROLLER CLUTCH
18	G09-1505	ROTOR	51	637-6101	BALL BEARING C
19	G09-1601	BAIL TRIP LEVER SPRING	52	372-7607	BEARING WASHER
20	G09-1701	BAIL TRIP LEVER	53	G13-0501	PINION GEAR
21	352-2501	BAIL TRIP LEVER SCREW	54	G09-4201	PINION GEAR COLLAR A
22	G09-2301	LINE GUARD SHAFT	55	G10-7001	PINION GEAR COLLAR B
23	G09-2501	LINE GUARD RET	56	G08-6701	TRANSMISSION GEAR
24	G09-2701	LINE GUARD SPRING	57	F12-5701	A/R PAWL SCREW
25	G09-2601	LINE GUARD COLLAR	58	G08-8901	A/R PAWL
26	G09-2804	BAIL SPRING COVER	59	F25-6501	A/R PAWL COLLAR B
27	B67-9304	BAIL SPRING COVER SCREW	60	G08-8801	A/R PAWL SPRING B
28	G09-2904	BAIL HOLDER COVER	62	G16-9501	A/R PLT SPRING
29	G09-1901	BAIL SPRING SHAFT	63	B84-2102	A/R PLT SCREW
30	G09-2101	BAIL SPRING	64	G08-8601	A/R PLT
31	G09-1801	BAIL SPRING HOLDER	65	320-1402	CLICK GEAR RET
32	G01-8601	LINE ROLLER SCREW	66	G10-5801	CLICK GEAR
33	G09-2202	BAIL ARM	67	373-2701	CLICK GEAR WASHER A

CONTINUED ON NEXT PAGE

GRANDWAVE 5000BR (Cont.)



Continued from previous page

Key No.	Parts No.	Parts Name	Key No.	Parts No.	Parts Name
68	375-1503	CLICK GEAR WASHER B	101	B41-1701	WORM SHAFT WASHER
69	G10-5701	TENSION SHAFT GEAR	102	E43-6101	WORM SHAFT COLLAR
70	373-2702	TENSION SHAFT GEAR WASHER	103	G10-6901	WORM SHAFT RET B
71	G16-9601	CLUTCH RATCHET	104	G08-9101	GUIDE SHAFT
72	G10-5501	TENSION SHAFT	105	F65-2201	GUIDE SHAFT COLLAR
73	G10-6001	TENSION SHAFT WASHER	106	G09-0804	REAR COVER
74	G10-6101	KEY WASHER B	107	E24-8101	REAR COVER SCREW
75	G10-6201	EARED WASHER B	108	G10-4901	CLUTCH CAM SPRING
76	G16-9901	TENSION SPRING	109	G10-4801	CLUTCH CAM
77	G10-6401	TENSION DRAG SCREW	110	G08-9401	CLUTCH TRIP LEVER PIN
78	G10-6501	TENSION DRAG SCREW WASHER	116	G10-5101	CLUTCH PLT A
79	F97-7801	CLICK LEAF SPRING	117	G10-5201	CLUTCH PLT B
80	G10-6604	TENSION CONTROL DIAL	118	G10-5301	CLUTCH PLT SPRING
81	E03-7801	TENSION CONTROL DIAL SCR	119	G17-0601	CLUTCH PLT COLLAR
82	G10-5901	CLICK PAWL	120	B83-5002	CLUTCH PLT SCREW
83	E51-1001	CLICK PAWL SCREW	121	G10-2001	A/R CAM SPRING
84	351-1106	CLUTCH LEVER SCREW A	122	G10-4701	A/R CAM
85	G09-3801	CLUTCH LEVER WASHER	123	G10-0003	A/R LEVER
86	351-1101	CLUTCH LEVER SCREW B	124	B64-6604	A/R LEVER SCREW
87	G10-5001	CLUTCH LEVER A	125	G28-5501	HANDLE
88	G09-1105	CLUTCH LEVER BRIDGE	126	G10-5408	BODY
89	G09-1001	CLUTCH LEVER B	127	E45-3901	BALL BEARING D
90	G17-4001	WORM SHAFT RET A	128	G08-9801	DRIVE GEAR
91	G10-6802	WORM SHAFT GEAR	132	371-2824	DRIVE GEAR WASHER
92	E39-3501	WORM SHAFT BUSH	133	B54-6001	BALL BEARING E
93	G08-9001	OSC SLIDER	134	G28-7001	SIDE COVER
94	E26-4101	OSC PAWL	135	B00-9701	SIDE COVER SCREW A
95	E26-4201	OSC PAWL COLLAR	136	E13-0501	SIDE COVER SCREW B
96	375-0801	OSC PAWL WASHER	137	F40-9001	HANDLE COLLAR
97	G11-4401	OSC PAWL RET	138	L00-9104	HANDLE LOCK SCREW
98	351-1008	OSC SLIDER COVER SCREW	140	B40-3104	BAIL HOLDER WASHER
99	G15-0401	OSC SLIDER COVER	141	F79-8301	O RING B
100	G10-6702	WORM SHAFT			