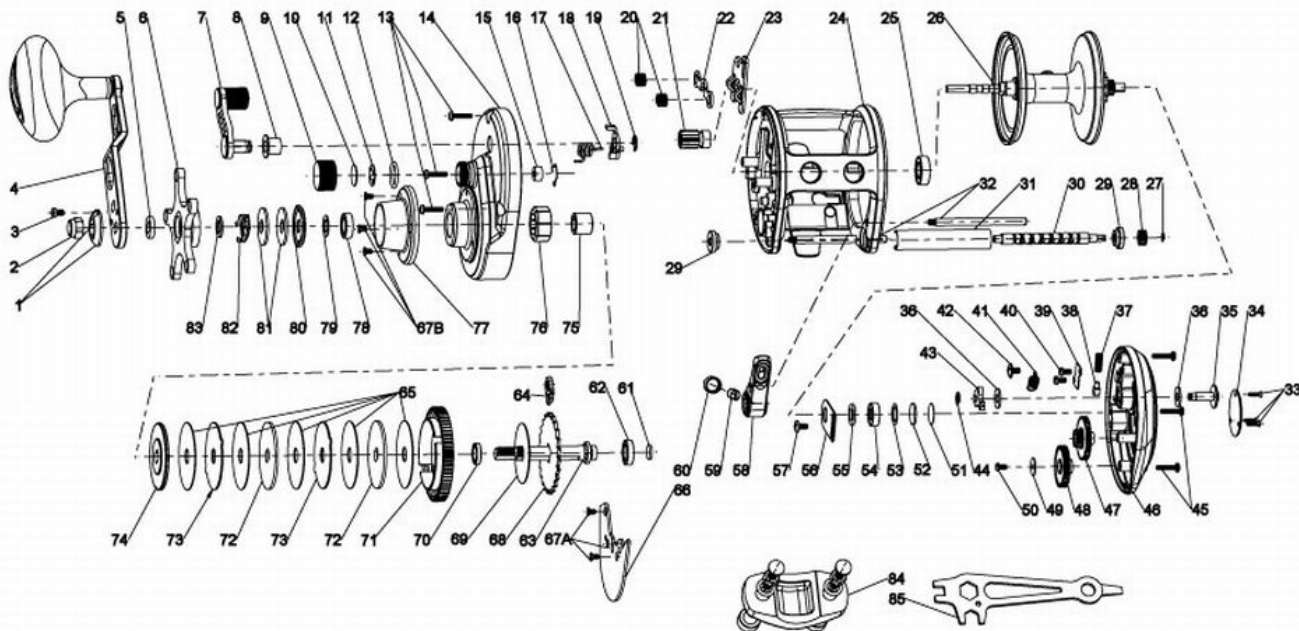


# FIN-NOR

LEGENDARY TACKLE SINCE 1933

## Offshore Level-Wind

### OFL30



Fin-Nor Offshore Level-Wind OFL30 Reel Part List

Key #	Description	Part No.	Key #	Description	Part No.
1	HANDLE NUT PLATE	RF034-02	44	RETAINER RING - SPOOL CLICK	RF020-01
2	HANDLE NUT	RF003-01	45	COVER SCREW	RF057-01
3	HANDLE NUT SCREW	CF065	46	LEFT SIDE COVER	PF023-01
4	CRANK HANDLE ASSY	RF318-02	47	IDLER GEAR	QF127-01
5	SPACER	RF094-01	48	IDLER GEAR	PF127-01
6	DRAG STAR ASSY	RF355-02	49	WASHER	GU105-25A
7	CLUTCH LEVER ASSY	RF309-01	50	SCREW	TK057-01
8	CLUTCH LEVER COLLAR	RF160-01	51	BEARING WASHER "A"	RF035-01
9	SPOOL TENSION CAP	RF033-01	52	BEARING WASHER "B"	RF038-01
10	SPACER "A"	RF032-01	53	BEARING WASHER "C"	RF035-02
11	SPACER "B"	RF082-01	54	BALL BEARING	PF017-01
12	O RING	RF101-01	55	BEARING WASHER "D" (FELT)	RF122-01
13	COVER SCREW	RF057-01	56	BEARING RETAINER	RF129-01
14	RIGHT SIDE COVER ASSY	RF324-11	57	BEARING RETAINER SCREW	RF053-01
15	BUSHING	RF088-02	58	LINE GUIDE ASSEMBLY	PF347-01
16	BUSHING RETAINER	RF080-01	59	LINE GUIDE PAWL	PF006-01
17	CLUTCH SPRING	RF104-01	60	LINE GUIDE PAWL CAP	SV007
18	CLUTCH CAM ASSY	RF384-01	61	DRIVE SHAFT PAD (FELT)	RF155-01
19	RETAINER RING - CLUTCH LEVER	RF092-01	62	BALL BEARING	SF117-01
20	YOKE SPRING	RF040-01	63	DRIVE SHAFT	RF008-02
21	PINION	RF011-01	64	A/R PAWL ASSY	RF363-01
22	YOKE	RF025-01	65	DRAG WASHER - FRICTION	RF059-03
23	YOKE PLATE	RF039-01	66	DRIVE SHAFT RETAINER	RF002-01
24	FRAME ASSEMBLY	N/A	67A	SCREW	RF107-01
25	BALL BEARING	RF058-02	67B	SCREW	RF107-01
26	SPOOL ASSY	QF321-01	68	A/R RATCHET	RF091-01
27	E-CLIP	NX090A	69	DRAG WASHER "B"	RF111-01
28	WORM SHAFT GEAR	PF112-01	70	BALL BEARING	TF117-01
29	WORM SHAFT BUSHING	PF067-01	71	DRIVE GEAR	RF012-01
30	WORM SHAFT	QF072-01	72	KEYED DRAG WASHER	RF045-01
31	WORM SHAFT GUIDE	PF016-02	73	TABBED DRAG WASHER	RF048-01
32	GUIDE PIN	PF160-02	74	SPRING WASHER	RF046-01
33	SCREW	RF168-01	75	CLUTCH SLEEVE	RF159-01
34	MEDALLION	RF169-01	76	CLUTCH	RF131-01
35	SPOOL CLICK BUTTON	RF109-01	77	HOOD	RF027-02
36	CLICK BUTTON WASHER	RF081-01	78	BALL BEARING	RF058-01
37	SPRING - CLICKER CAM	QF022-01	79	BEARING WASHER	RF121-01
38	CLICKER CAM	PF084-01	80	SEAL	AA166-01
39	PLATE	PF010-01	81	SPRING WASHER	RF046-02
40	SCREW	PF057-01	82	DRAG STAR CLICK ASSEMBLY	RF314-01
41	SPOOL CLICK SPRING	PF022-01	83	BEARING WASHER	RF121-02
42	SCREW	PF053-01	84	ROD CLAMP ASSEMBLY KIT	RF4154-01
43	SPOOL CLICK PAWL	PF108-01	85	WRENCH	RF113-01