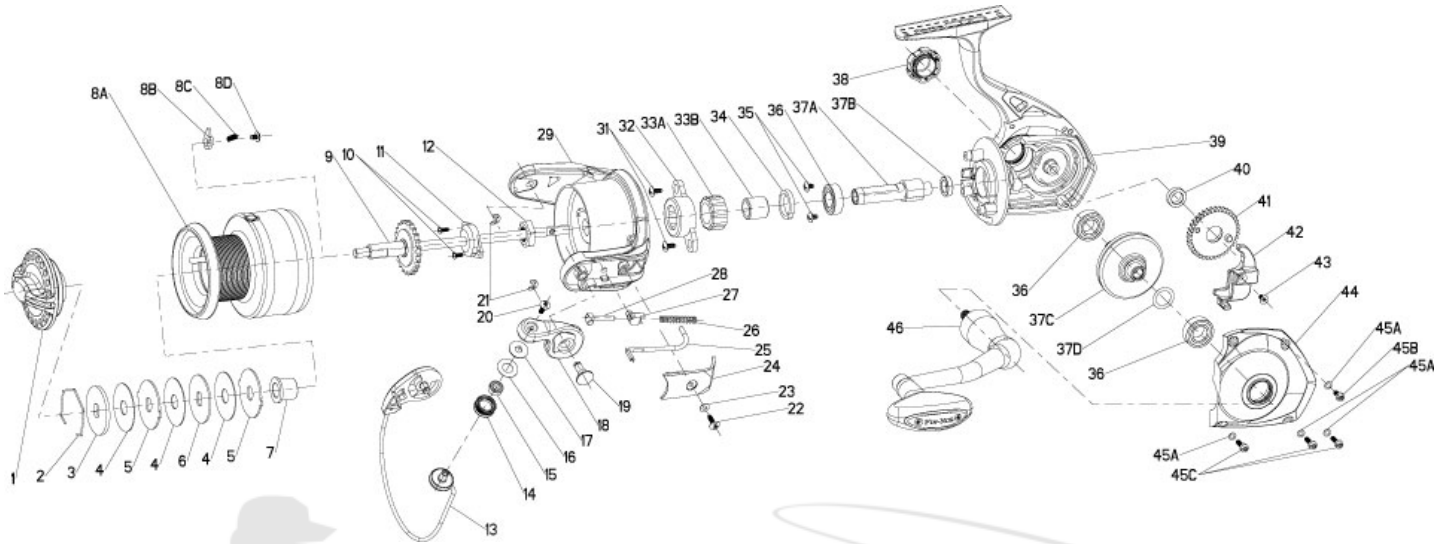


FIN-NOR

LEGENDARY TACKLE SINCE 1933

Sportfisher FS50



Fin-Nor Sportfisher FS50 Reel Part List

Key #	Description	Part No.	Key #	Description	Part No.
1	DRAG KNOB ASSEMBLY	JO332-01	24	ARM LEVER COVER	JO087-01
2	SPOOL RETAINER	JO038-01	25	KICK LEVER	JO019-01
3	DRAG WASHER - KEYED	LO080-01	26	ACTUATOR SPRING	JO022-01
4	DRAG WASHER - FRICTION	JO033-01	27	ACTUATOR	JO258-01
5	DRAG WASHER - TABBED	JO081-01	28	ACTUATOR SPRING PIN	JO031-01
6	DRAG WASHER KEYED	JO080-01	29	ROTOR	JO009-01
7	SPOOL BUSHING	JO160-01	30	PINION GEAR WASHER	N/A
8	SPOOL ASSEMBLY KIT	JO4321-01	31	SCREW - CLUTCH (2)	JO077-01
8A	SPOOL ASSEMBLY	N/A	32	CLUTCH COVER	JO175-01
2	SPOOL RETAINER	N/A	33	CLUTCH ASSEMBLY KIT	JO4178-01
3	DRAG WASHER - KEYED	N/A	33A	CLUTCH HOUSING	N/A
4	DRAG WASHER - FRICTION	N/A	33B	CLUTCH SLEEVE	N/A
5	DRAG WASHER - TABBED	N/A	34	WASHER - ADJUST CLUTCH	JO259-01
6	DRAG WASHER - KEYED	N/A	35	SCREW - BEARING (2)	GU077-04A
7	SPOOL BUSHING	N/A	36	BALL BEARING (3)	BT157-01
8B	SPOOL CLICKER	N/A	37	GEAR KIT	JO4011-01
8C	CLICK SPRING	N/A	37A	PINION GEAR	N/A
8D	SCREW - CLICKER	N/A	37B	PINION BUSHING	N/A
9	MAINSHAFT ASSEMBLY	JO315-01	37C	DRIVE GEAR	N/A
10	ROTOR NUT LOCK SCREW (2)	JO094-01	37D	DRIVE GEAR ADJUST WAS	N/A
11	MAINSHAFT BUSHING	BT214-01	38	HANDLE CAP	JO073-01
12	ROTOR NUT	BT006-01	39	BODY	JO001-01
13	BAIL ASSEMBLY	JO347-01	40	OSCILLATOR GEAR BUSHING	BT158-01
14	LINE ROLLER	CH004-02	41	OSCILLATOR GEAR	BT053-01
15	LINE ROLLER BEARING	GH202-01	42	OSCILLATOR GEAR SLIDER	BT025-01
16	LINE ROLLER WASHER	DH102-01	43	MAIN SHAFT SCREW	RQ100-01
17	LINE ROLLER COLLAR	CH102-01	44	BODY COVER	JO023-01
18	ARM LEVER	JO007-01	45	BODY COVER SCREW KIT	JO4057-01
19	PIN	PG042-01	45A	SCRATCH PROTECT WASHER (4	N/A
20	SCREW - LINE SLIDER	AQ108-01	45B	BODY COVER SCREW (1)	N/A
21	E-CLIP - BAIL ASSEMBLY (2)	GH034-01	45C	BODY COVER SCREW (3)	N/A
22	ARM LEVER COVER SCREW	GU077-02A	46	HANDLE ASSEMBLY	JO318-01
23	ARM LEVER COVER WASHER	SQ142-01			