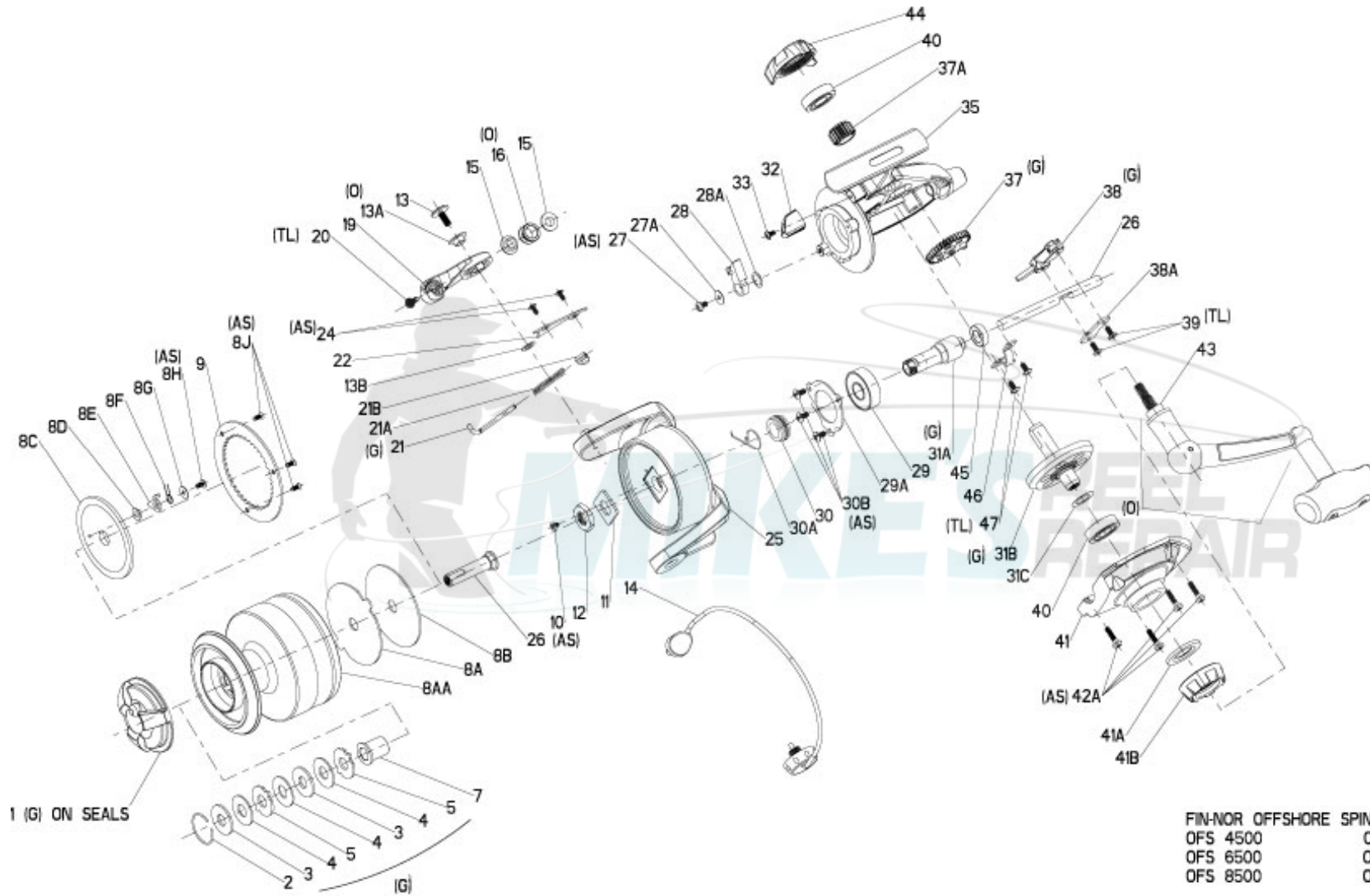


FIN-NOR®

LEGENDARY TACKLE SINCE 1933

Offshore OFS55



FIN-NOR OFFSHORE SPINNING

OFS 4500	OFS 5500
OFS 6500	OFS 7500
OFS 8500	OFS 9500

(O) : OIL - HOT SAUCE
 (G) : GREASE - HOT SAUCE
 (AS) : ANTI-SEIZE (on screw threads)
 (TL) : THREAD LOCKING COMPOUND (on screw threads)

FIN-NOR®

LEGENDARY TACKLE SINCE 1933

Offshore OFS55

Fin-Nor Offshore OFS55 Spinning Reel Part List

Key #	Description	Part No.	Key #	Description	Part No.
1	DRAG KNOB ASSEMBLY	ZT332-01	21A	BAIL ARM SPRING	KT044-01
2	RETAINER, SPOOL, TOP	HT038-01	21B	SPRING HOLDER	KT020-01
3	DRAG WASHER, KEYED - SHAFT	HT080-01	22	ROTOR COVER	YT087-01
4	DRAG FRICTION WASHER	HT030-01	24	SCREW - ROTOR COVER	KT085-01
5	DRAG WASHER, KEYED - SPOOL	HT081-01	25	ROTOR	YT009-01
7	SPOOL SLEEVE	ZT160-01	26	CENTER SHAFT ASSY.	YT315-01
8	SPOOL - ASSEMBLY KIT (includes):	ZT4321-01	27	SCREW - ANTI - REVERSE PAWL	YT111-01
	2 - RETAINER, SPOOL, TOP	HT038-01	27A	ANTI - REVERSE PAWL RETAINER	KT099-01
	3 - DRAG WASHER, KEYED - SHAFT	HT080-01	28	ANTI - REVERSE PAWL	YT063-01
	4 - DRAG FRICTION WASHER	HT030-01	28A	WASHER - ANTI - REVERSE PAWL	HT098-01
	5 - DRAG WASHER, KEYED - SPOOL	HT081-01	29	PINION BEARING	KT157-01
	7 - SPOOL SLEEVE	ZT160-01	29A	RETAINER PLATE	YT118-01
	8AA - SPOOL	N/A	30	ANTI - REVERSE SPRING SPACER	KT091-01
	8A - DRAG WASHER, KEYED SPOOL - REAR	YT081-02	30A	ANTI - REVERSE ACTUATOR SPRING	YT089-01
	8B - DRAG FRICTION WASHER	YT080-02	30B	SCREW - RETAINER PLATE	HT123-01
	8C - DRAG, WASHER, KEYED - SHAFT REAR	YT039-01	31	GEAR KIT (includes):	YT4011-01
	8D - BUSHING - CLICKER	HT224-01		31A - PINION	N/A
	8E - SPOOL CLICKER	HT103-01		31B - CRANK GEAR ASSEMBLY	N/A
	8F - CLICK SPRING	HT068-01		31C - DRIVE GEAR ADJUST WASHER	N/A
	8G - CLICKER WASHER	KT076-01	32	BAIL TRIP	YT019-01
	8H - SCREW - CLICKER	KT085-01	33	SCREW - BAIL TRIP	KT085-01
	8J - SCREW - RETAINER - DRAG (REAR)	KT228-01	35	BODY ASSEMBLY	ZT301-01
	9 - SPOOL RETAINER - BOTTOM	YT225-01	37	O/S GEAR	YT053-01
8A	DRAG WASHER, KEYED SPOOL - REAR	YT081-02	37A	SPUR GEAR	YT055-01
8B	DRAG FRICTION WASHER	YT080-02	38	O/S SLIDER	YT025-01
8C	DRAG, WASHER, KEYED - SHAFT REAR	YT039-01	38A	O/S SLIDER RETAINER	YT078-01
8D	BUSHING - CLICKER	HT224-01	39	MAIN SHAFT SCREW	KT111-01
8E	SPOOL CLICKER	HT103-01	40	BALL BEARING	YT157-01
8F	CLICK SPRING	HT068-01	41	BODY COVER	YT023-01
8G	CLICKER WASHER	KT076-01		41A - SEAL CRANK HANDLE	YT139-01
8H	SCREW - CLICKER	KT085-01		41B - COLLAR - CRANK	YT226-01
8J	SCREW - RETAINER - DRAG (REAR)	KT228-01	42	BODY COVER SCREW KIT (includes):	YT4057-01
9	SPOOL RETAINER - BOTTOM	YT225-01		42A - SCREW - BODY COVER	N/A
10	SCREW - ROTOR NUT LOCK	HT094-01		42B - SCREW - BODY COVER	N/A
11	ROTOR WASHER	KT065-01		42C - SCREW - BODY COVER	N/A
12	ROTOR NUT	KT006-01	43	CRANK HANDLE ASSEMBLY	HT318-01
13	SCREW - BAIL ARM	KT051-01	44	BEARING CAP	YT073-01
13A	BUSHING - BAIL ARM	KT227-01	45	PINION BEARING	KT158-01
13B	WASHER - BAIL ARM	KT229-01	46	BEARING RETAINER	YT040-01
14	BAIL ASSEMBLY	YT347-01	47	SCREW - RETAINER	HT123-01
15	BUSHING - LINE ROLLER	KT202-01	48	DRAG WASHER KIT (includes):	YT4080-01
16	LINE ROLLER	KT004-02		3 - DRAG WASHER, KEYED - SHAFT	HT080-01
19	BAIL ARM	YT007-01		4 - DRAG FRICTION WASHER	HT030-01
20	SCREW - LINE SLIDER	KT106-01		5 - DRAG WASHER, KEYED - SPOOL	HT081-01
21	SPRING SHAFT	YT031-01		8B - DRAG FRICTION WASHER	YT080-02