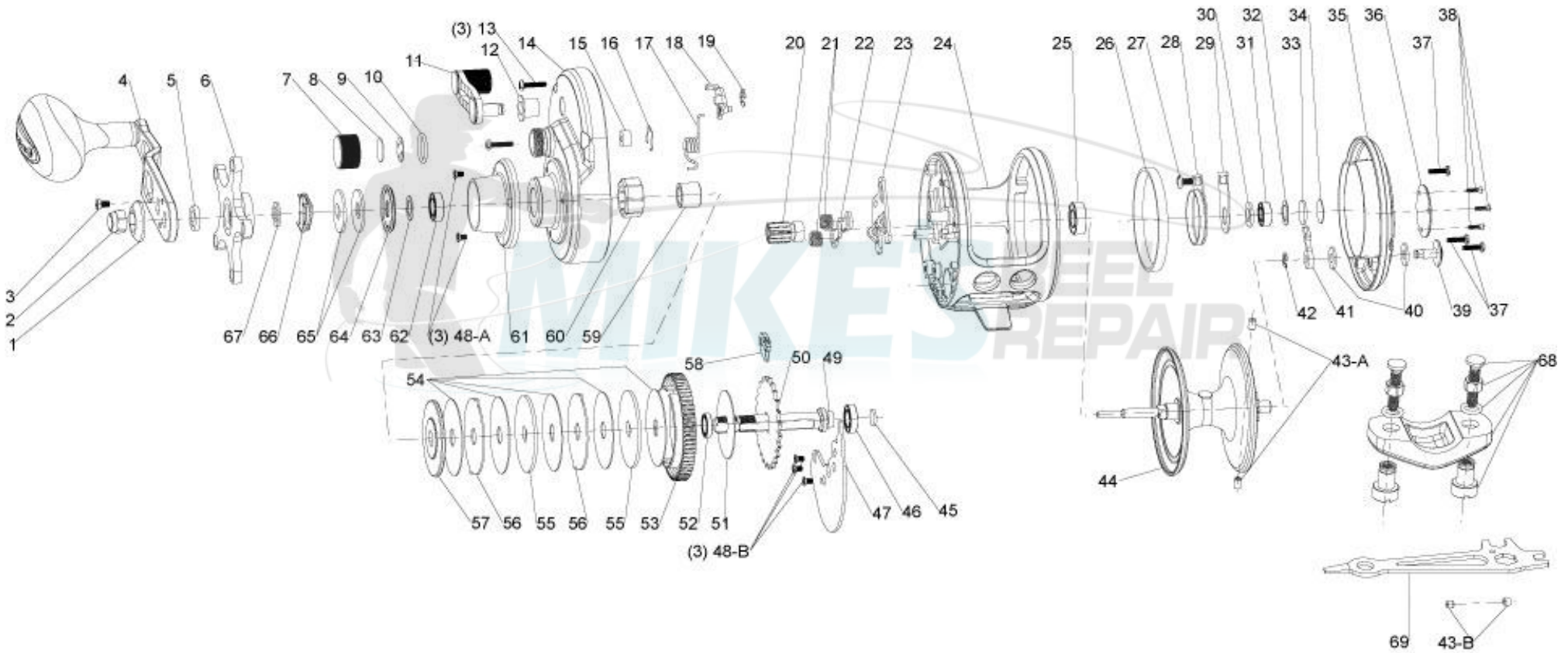


# FIN-NOR®

LEGENDARY TACKLE SINCE 1933

## Offshore OFC30L



# FIN-NOR®

LEGENDARY TACKLE SINCE 1933

## Offshore OFC30L

### Fin-Nor Offshore OFC30L Reel Part List

| Key # | Description                  | Part No. | Key # | Description                 | Part No.  |
|-------|------------------------------|----------|-------|-----------------------------|-----------|
| 1     | HANDLE NUT PLATE             | RF034-01 | 37    | COVER SCREW                 | RF057-02  |
| 2     | HANDLE NUT                   | RF003-01 | 38    | SCREW                       | RF168-01  |
| 3     | HANDLE NUT SCREW             | RF065-01 | 39    | SPOOL CLICK BUTTON          | RF109-01  |
| 4     | CRANK HANDLE ASSY            | RF318-01 | 40    | CLICK BUTTON WASHER         | RF081-01  |
| 5     | SPACER                       | RF094-01 | 41    | SPOOL CLICK PAWL            | RF108-01  |
| 6     | DRAG STAR ASSY               | RF355-01 | 42    | RETAINER RING - SPOOL CLICK | RF020-01  |
| 7     | SPOOL TENSION CAP            | RF033-01 | 43-A  | BRAKE SLEEVE                | RF044-01  |
| 8     | SPACER "A"                   | RF032-01 | 43-B  | BRAKE SLEEVE                | RF044-02  |
| 9     | SPACER "B"                   | RF082-01 | 44    | SPOOL ASSY                  | TF321-01  |
| 10    | O RING                       | RF101-01 | 45    | DRIVE SHAFT PAD (FELT)      | RF155-01  |
| 11    | CLUTCH LEVER ASSY            | RF309-01 | 46    | BALL BEARING                | SF117-01  |
| 12    | CLUTCH LEVER COLLAR          | RF160-01 | 47    | DRIVE SHAFT RETAINER        | RF002-01  |
| 13    | COVER SCREW                  | RF057-01 | 48-A  | SCREW                       | RF107-01  |
| 14    | PART NOT AVAILABLE           | N/A      | 48-B  | SCREW                       | RF107-01  |
| 15    | BUSHING                      | RF088-01 | 49    | DRIVE SHAFT                 | RF008-01  |
| 16    | BUSHING RETAINER             | RF080-01 | 50    | A/R/ RATCHET                | RF091-01  |
| 17    | CLUTCH SPRING                | RF104-01 | 51    | DRAG WASHER "B"             | RF111-01  |
| 18    | CLUTCH CAM ASSY              | RF384-01 | 52    | BALL BEARING                | TF117-01  |
| 19    | RETAINER RING - CLUTCH LEVER | RF092-01 | 53    | DRIVE GEAR                  | RF012-01  |
| 20    | PINION                       | RF011-01 | 54    | DRAG WASHER "A" (FRICTION)  | RF059-03  |
| 21    | YOKE SPRING                  | RF040-01 | 55    | KEYED DRAG WASHER           | RF045-01  |
| 22    | YOKE                         | RF025-01 | 56    | TABBED DRAG WASHER          | RF048-01  |
| 23    | YOKE PLATE                   | RF039-01 | 57    | SPRING WASHER               | RF046-01  |
| 24    | PART NOT AVAILABLE           | N/A      | 58    | A/R PAWL ASSY               | RF363-01  |
| 25    | BALL BEARING                 | RF058-02 | 59    | CLUTCH SLEEVE               | RF159-01  |
| 26    | CENTRIFUGAL BRAKE RING       | RF042-01 | 60    | CLUTCH                      | RF131-01  |
| 27    | SPOOL CLICK SPRING SCREW     | RF053-01 | 61    | HOOD                        | RF027-01  |
| 28    | SPOOL CLICK SPRING           | RF022-01 | 62    | BALL BEARING                | RF058-01  |
| 29    | BEARING RETAINER             | RF129-01 | 63    | BEARING WASHER              | RF121-01  |
| 30    | BEARING WASHER "D" (FELT)    | RF122-01 | 64    | SEAL                        | AA166-01  |
| 31    | BALL BEARING                 | RF017-01 | 65    | SPRING WASHER               | RF046-02  |
| 32    | BEARING WASHER "C"           | RF035-02 | 66    | CLICK SPRING ASSEMBLY       | RF314-01  |
| 33    | BEARING WASHER "B"           | RF038-01 | 67    | BEARING WASHER              | RF121-02  |
| 34    | BEARING WASHER "A"           | RF035-01 | 68    | KIT - ROD CLAMP             | RF4154-01 |
| 35    | LEFT SIDE COVER              | RF023-01 | 69    | WRENCH                      | RF113-01  |
| 36    | MEDALLION                    | RF169-01 |       |                             |           |